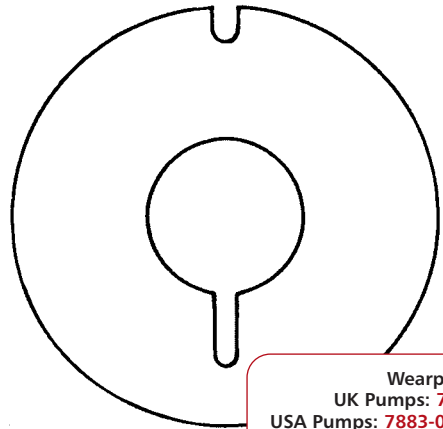
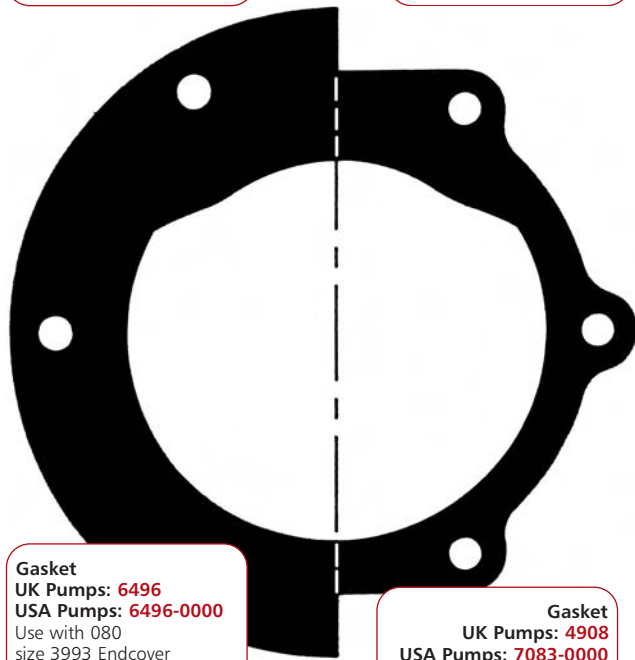


Gasket  
UK Pumps: 3298  
USA Pumps: 3298-0000

Endcover  
UK Pumps: 3992  
USA Pumps: 11830-0000

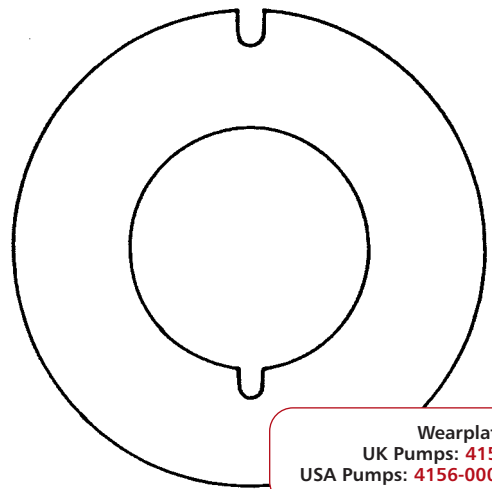


Wearplate  
UK Pumps: 7883  
USA Pumps: 7883-0000

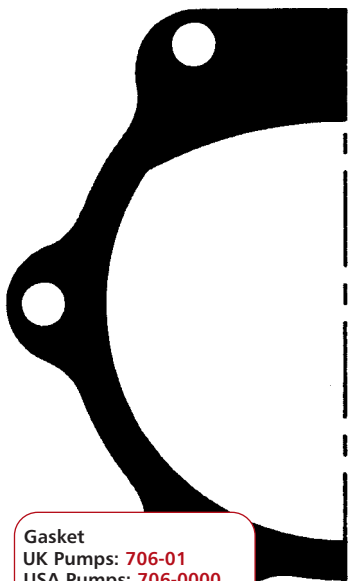


Gasket  
UK Pumps: 6496  
USA Pumps: 6496-0000  
Use with 080  
size 3993 Endcover

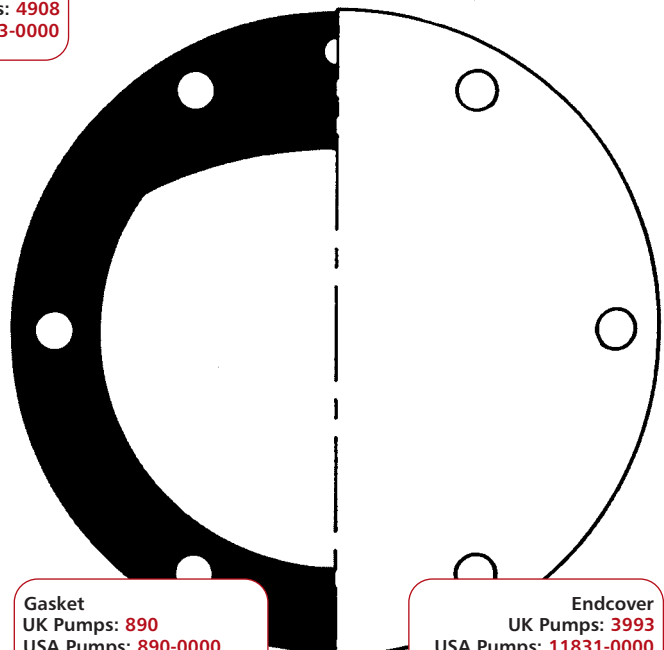
Gasket  
UK Pumps: 4908  
USA Pumps: 7083-0000



Wearplate  
UK Pumps: 4156  
USA Pumps: 4156-0000

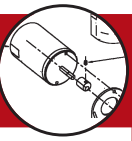


Gasket  
UK Pumps: 706-01  
USA Pumps: 706-0000

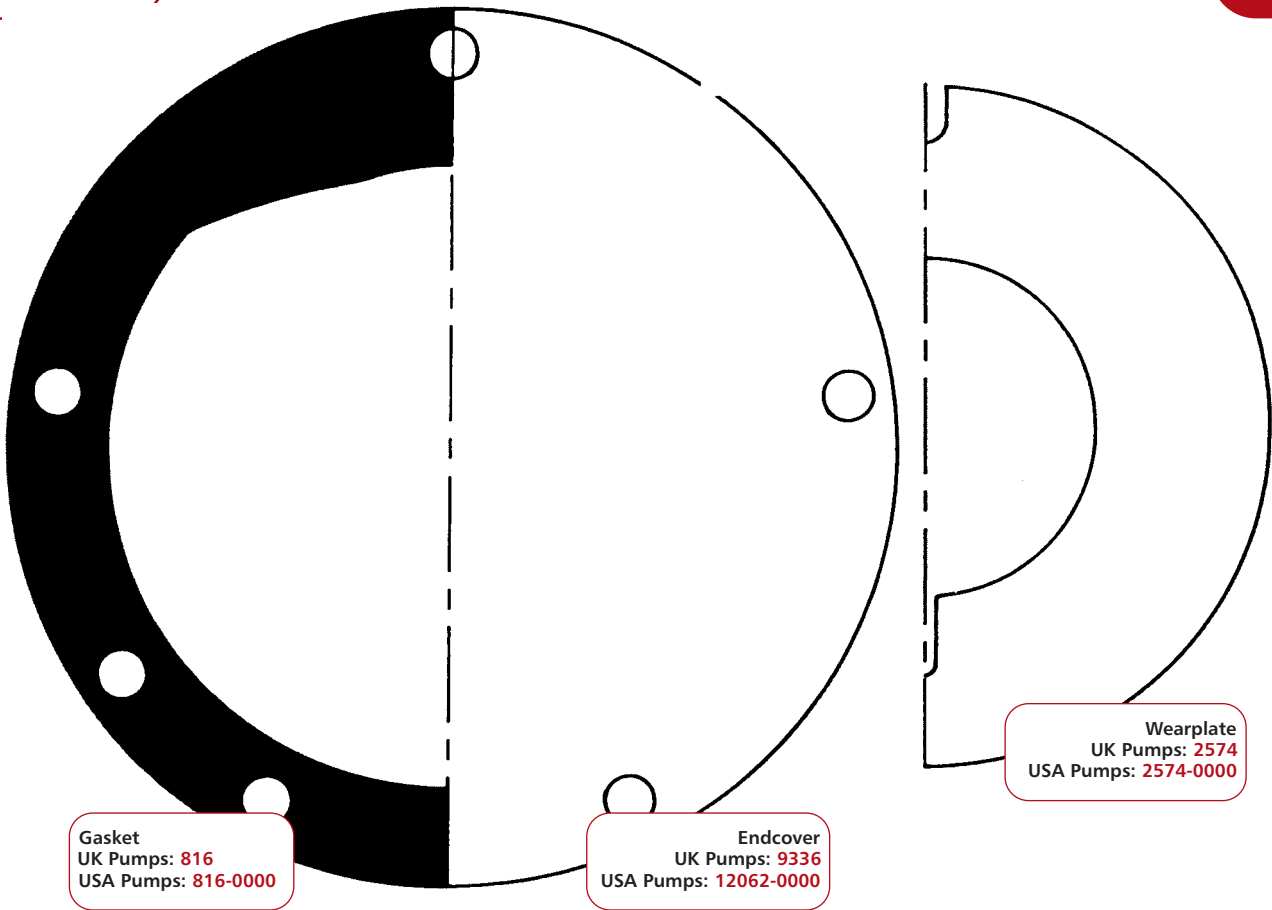


Gasket  
UK Pumps: 890  
USA Pumps: 890-0000

Endcover  
UK Pumps: 3993  
USA Pumps: 11831-0000



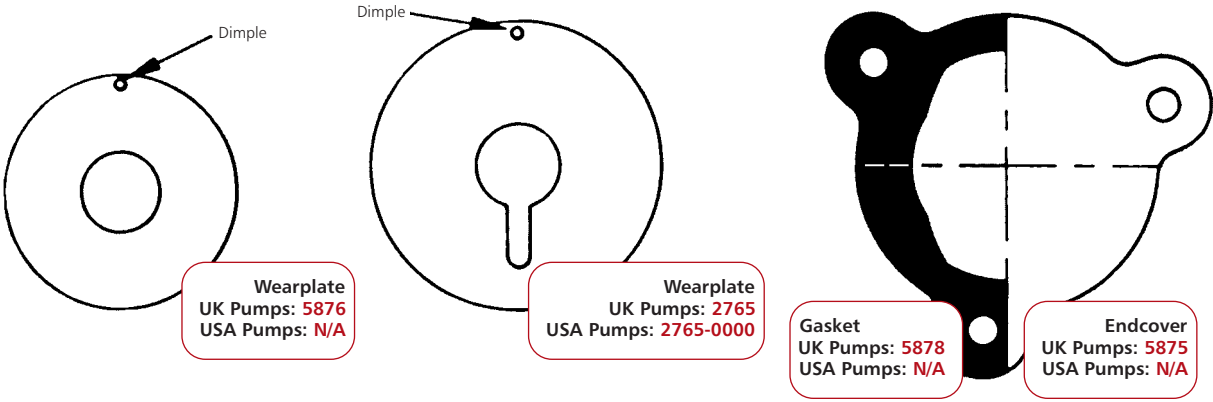
# Service Parts -



**Gasket**  
UK Pumps: **816**  
USA Pumps: **816-0000**

**Endcover**  
UK Pumps: **9336**  
USA Pumps: **12062-0000**

**Wearplate**  
UK Pumps: **2574**  
USA Pumps: **2574-0000**

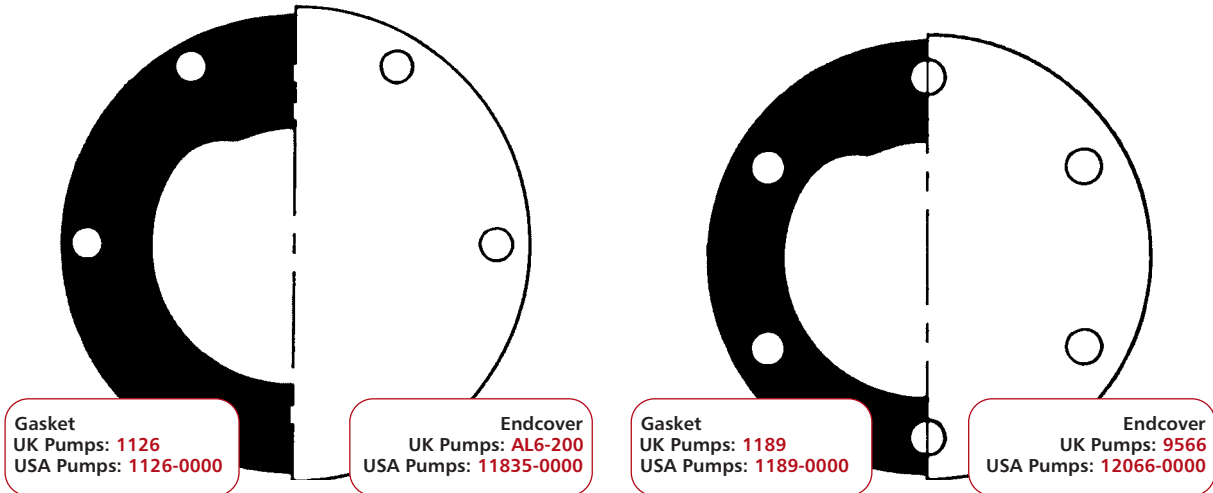


**Wearplate**  
UK Pumps: **5876**  
USA Pumps: **N/A**

**Wearplate**  
UK Pumps: **2765**  
USA Pumps: **2765-0000**

**Gasket**  
UK Pumps: **5878**  
USA Pumps: **N/A**

**Endcover**  
UK Pumps: **5875**  
USA Pumps: **N/A**

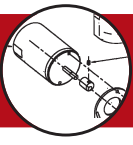


**Gasket**  
UK Pumps: **1126**  
USA Pumps: **1126-0000**

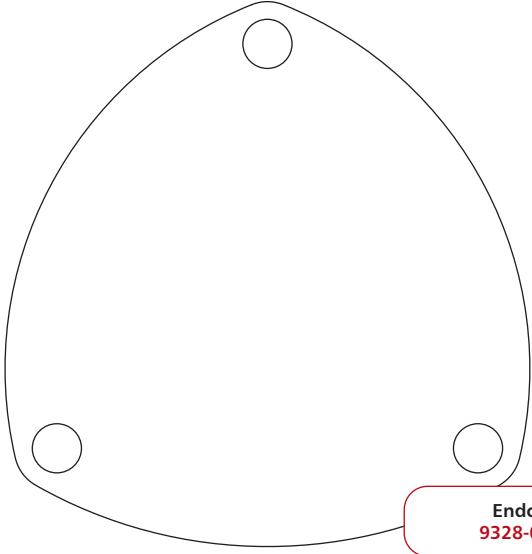
**Endcover**  
UK Pumps: **AL6-200**  
USA Pumps: **11835-0000**

**Gasket**  
UK Pumps: **1189**  
USA Pumps: **1189-0000**

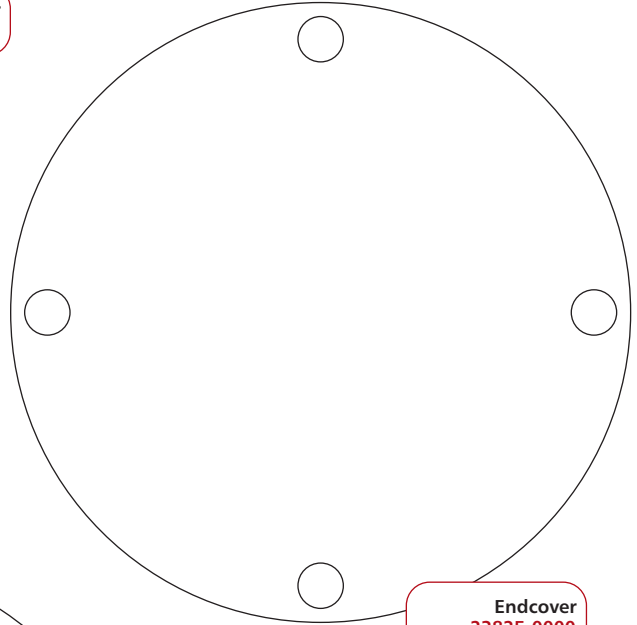
**Endcover**  
UK Pumps: **9566**  
USA Pumps: **12066-0000**



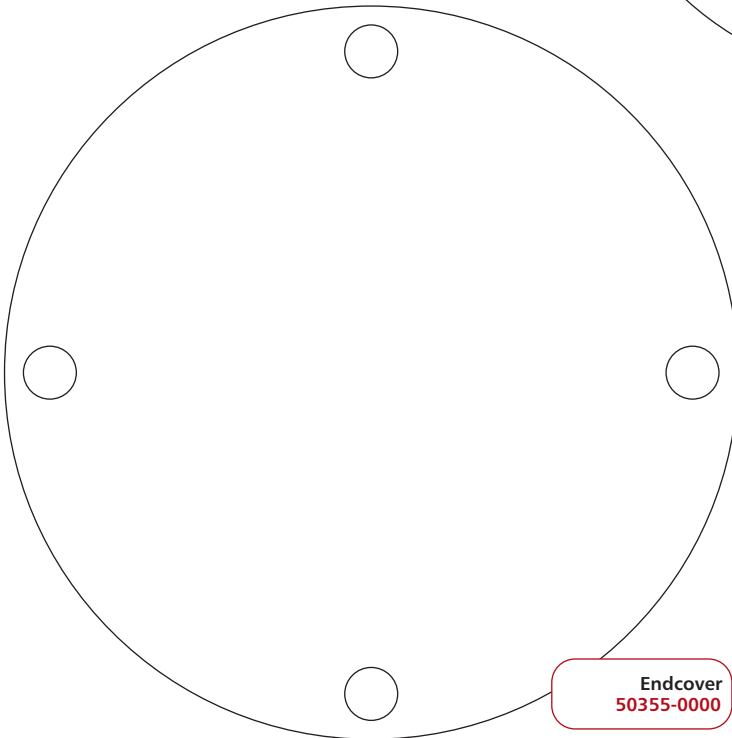
# Service Parts - Gasket, Wearplate & End Cover Profiles



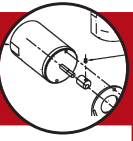
Endcover  
9328-0200



Endcover  
23825-0000

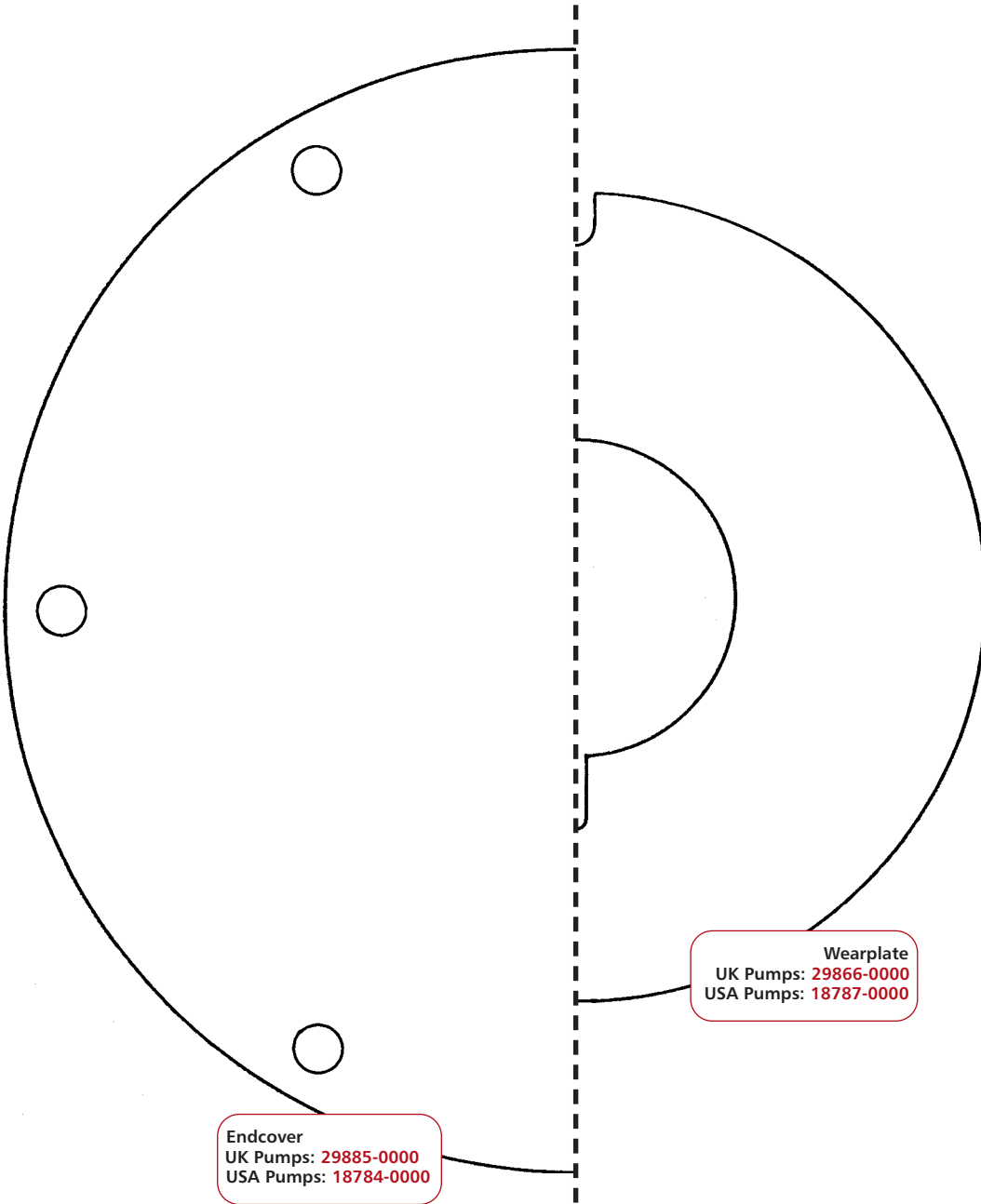


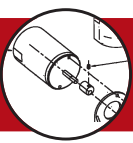
Endcover  
50355-0000



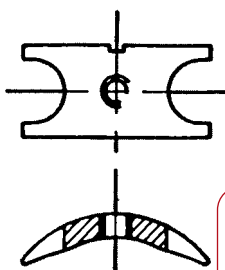
Gasket, Wearplate &  
End Cover Profiles

# Service Parts -



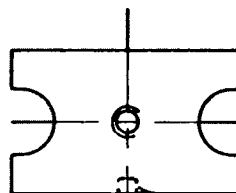


Size Group 005



Cam  
UK Pumps: 5868  
USA Pumps:  
8089-0000  
Cam Screw  
SP1002-01  
91002-0010 (USA)

Size Group 010



Slot 2763 & 21233 only

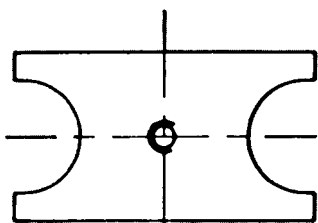


Cam  
AL8  
29303-0000  
UK Pumps: 2763  
USA Pumps:  
2763-0000  
Cam Screw  
SP1002-09  
91002-0090 (USA)



Cam  
AL8-01  
21233  
Cam Screw  
SP1002-1

Size Group 020



Cam  
10818  
Cam Screw  
SP1002-02  
91002-0020 (USA)

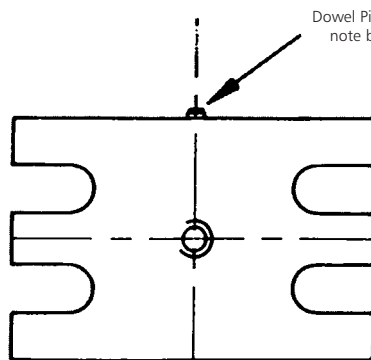


Cam  
UK Pumps: 2907-0001  
USA Pumps:  
2907-0000  
Cam Screw  
SP1002-09  
91002-0090 (USA)

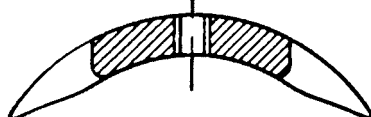


Cam  
2441  
Cam Screw  
SP1010-06

Size Group 040

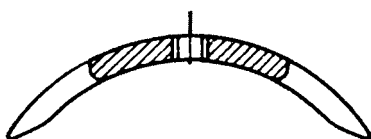


Dowel Pin (see note below)



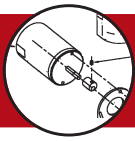
Cam  
UK Pumps: 490  
USA Pumps:  
490-0000  
If o-ring endcover fitted use:  
23826-0000  
Cam Screw  
SP1003-01  
91003-0010 (USA)

Note:  
Assy 5211  
(USA Pumps 7876-0000) includes  
Dowel pin, Cam &  
Wearplate

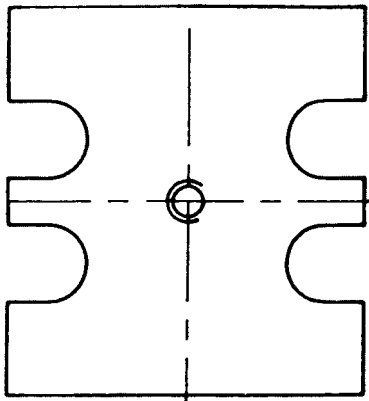


Cam  
10336  
If o-ring endcover fitted use:  
23826-0100  
Cam Screw  
SP1003-09

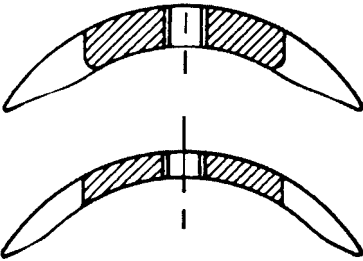
Note:  
Assy 7884 includes  
Dowel pin, Cam &  
Wearplate



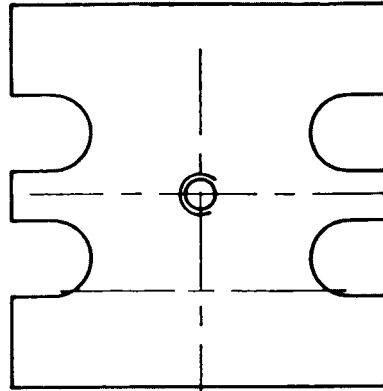
**Size Group 060**



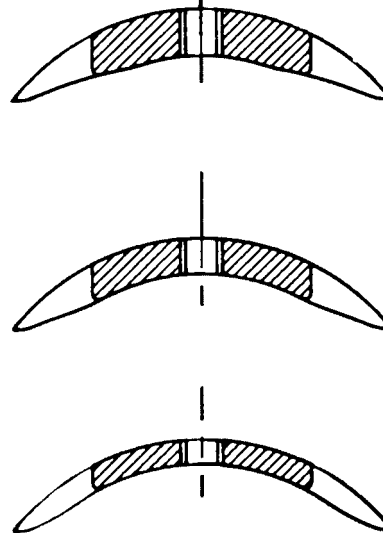
Cam  
UK Pumps: **22318**  
USA Pumps:  
**18753-0000**  
Cam Screw  
**SP1004-11**  
**91004-0110 (USA)**  
If o-ring endcover  
fitted use:  
Cam  
**22318-0100**  
O-ring  
**92000-1403**  
Cam Screw  
**X3003-149K**



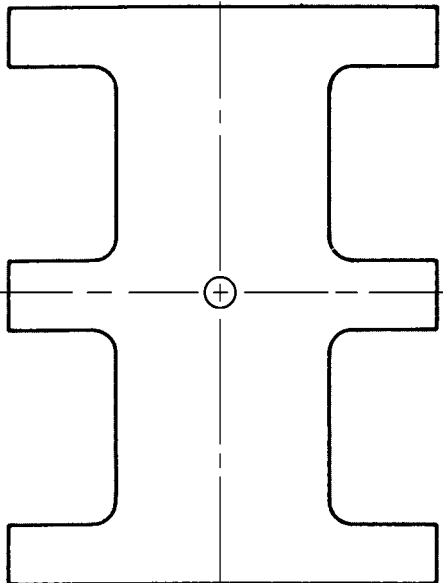
**Size Group 080**



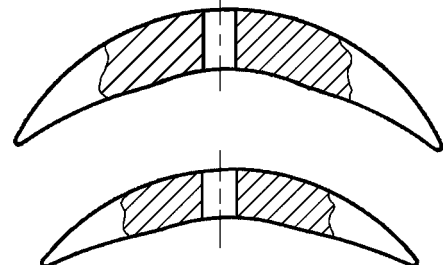
Cam  
UK Pumps: **934**  
USA Pumps:  
**934-0000**  
Cam Screw  
**SP1004-09**  
**91004-0090 (USA)**  
If o-ring endcover  
fitted use:  
Cam  
**53082-0000**  
O-ring  
**X4020-269A**  
Cam Screw  
**X3003-176F**



**Size Group 120**



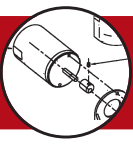
Cam  
**23341-0000**  
Cam Screw  
**SP1004-09**  
If o-ring endcover  
fitted use:  
Cam  
**23341-0001**  
O-ring  
**X4020-269A**  
Cam Screw  
**SP1004-09**



Cam  
**23342-0000**  
Cam Screw  
**SP1004-09**

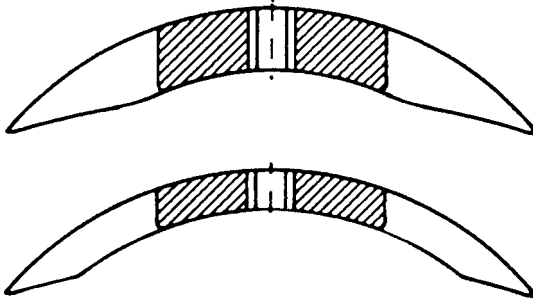
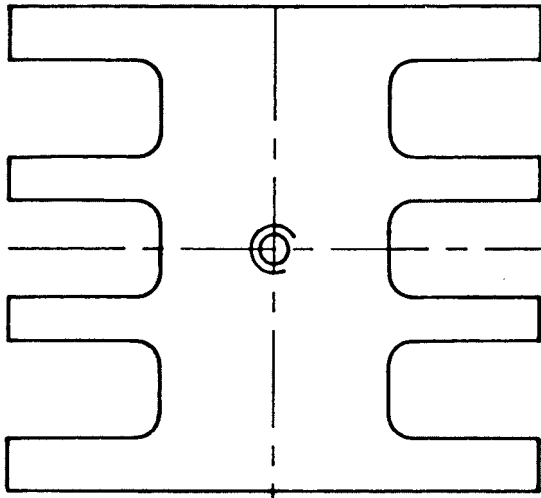
Cam  
UK Pumps: **3255**  
USA Pumps:  
**3255-0000**  
Cam Screw  
**SP1004-11**  
**91004-0110 (USA)**

Cam  
UK Pumps: **2431**  
USA Pumps:  
**2431-0000**  
Cam Screw  
**SP1004-10**  
**91004-0100 (USA)**



# Service Parts - Cam Profiles

## Size Group 200



Cam  
UK Pumps:  
834  
USA Pumps:  
834-0000  
Cam Screw  
SP1005-04  
91005-0040  
(USA)

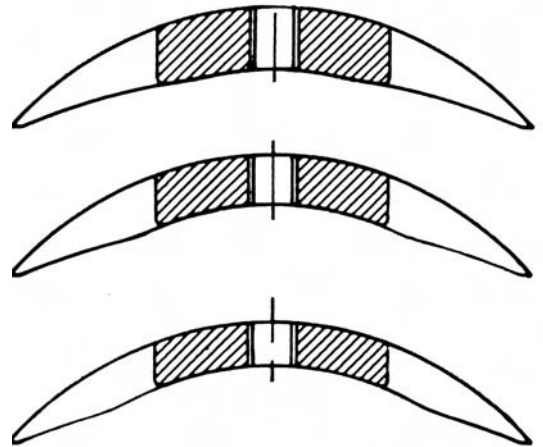
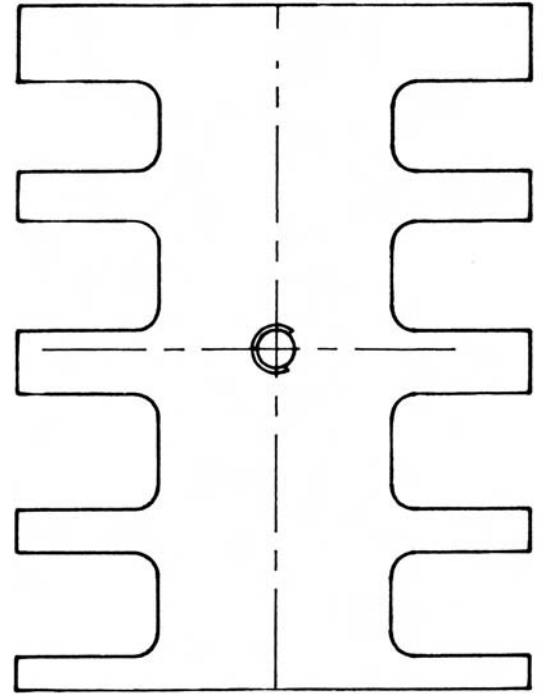
Cam  
UK Pumps:  
2551  
USA Pumps:  
2551-0000  
Cam Screw  
SP1005-05  
91005-0050  
(USA)

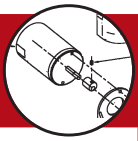
Cam  
UK Pumps:  
6988  
USA Pumps:  
6988-0000  
Cam Screw  
SP1005-04  
91005-0040  
(USA)

Cam  
22039  
Cam Screw  
SP1005-05

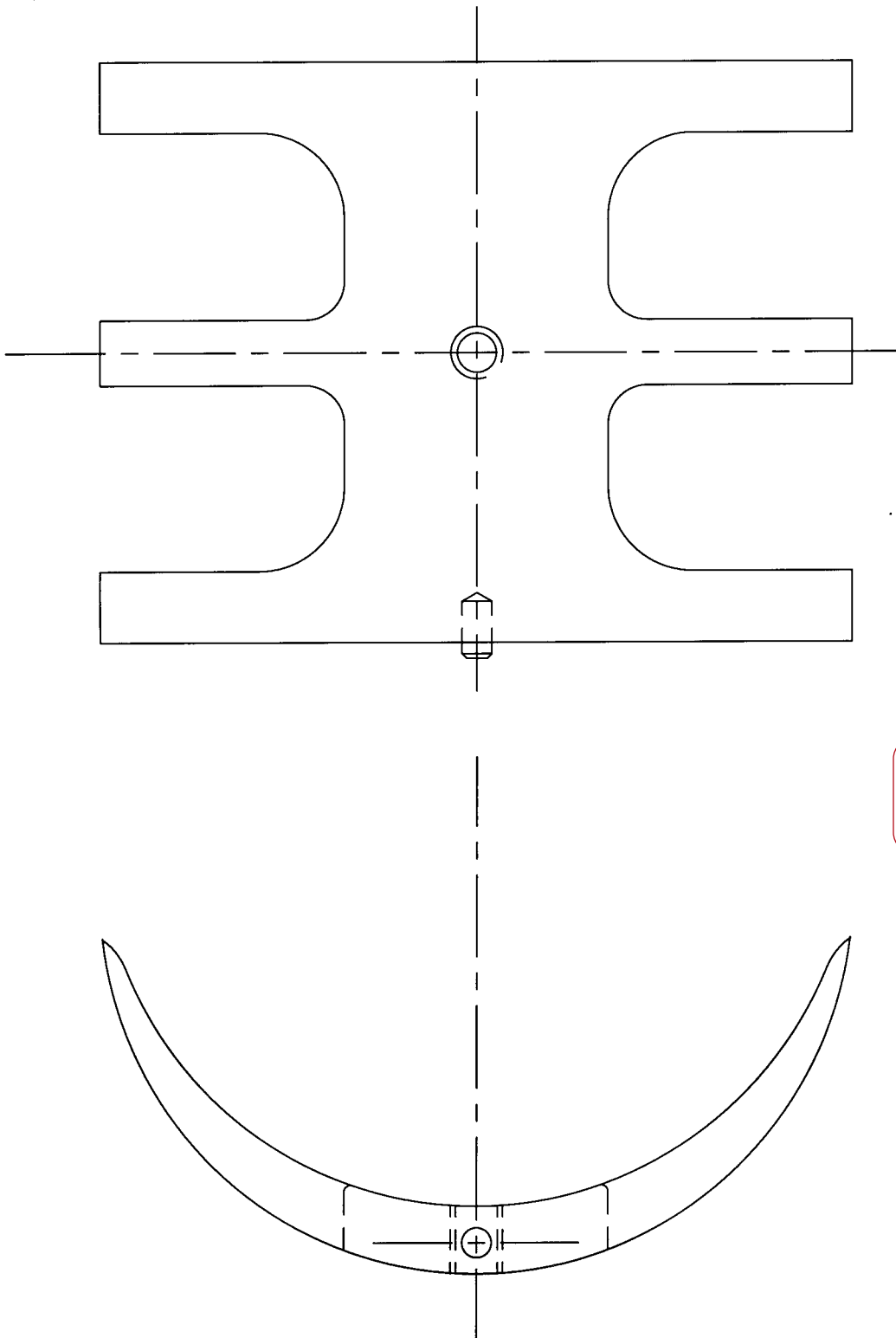
Cam  
22268  
Cam Screw  
SP1005-05

## Size Group 270





Size Group 470



Cam  
29862-0100  
Cam Screw  
X3001-207F



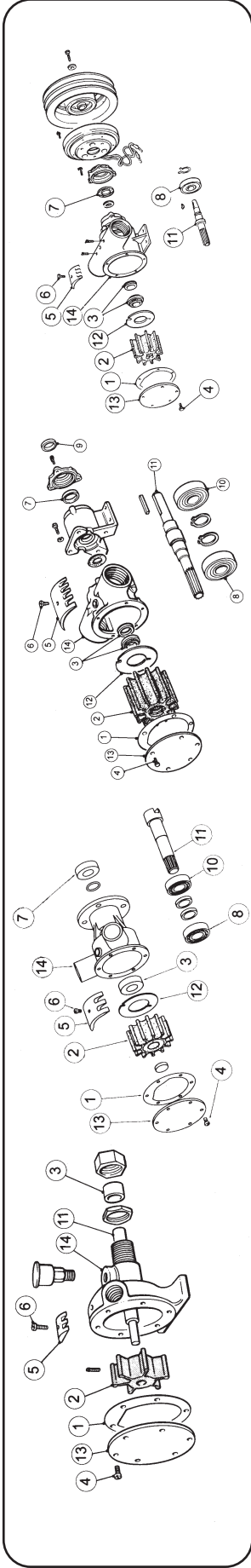
# Service Parts - Multilingual Spares Dictionary

11

www.jabasco.com

JABSCO®

JABSCO PUMP DETAILS				SERVICE KIT DETAILS				GENERAL PARTS LISTING													
Pump Number	Origin Pump Size	Port Type	Mount Type	Obsolete	Alternate Part No	Kit Number	Gasket/ O Ring	Impeller	Water Seal	End Cover Screws	Cam	Cam Screw	Pump End Oil Seal	Pump End Bearing	Drive End Oil Seal	Drive End Bearing	Shaft	Wearplate	Endcover	Body	
						Key	1	2	3	4	5	6	7	8	9	10	11	12	13	14	



## US

- Key No**
- Gasket
  - Impeller
  - Water seal
  - End cover screw
  - Cam
  - Cam screw
  - Pump end oil seal
  - Pump end bearing
  - Drive end oil seal
  - Drive end bearing
  - Shaft
  - Wearplate
  - Endcover
  - Body

## FR

- Key No**
- Joint
  - Impulseur
  - Garniture
  - Vis de couvercle
  - Came
  - Vis de came
  - Joint a levre
  - Roulement interieur
  - Joint exterieur
  - Roulement exterieur
  - Arbre
  - Plaque d'usure
  - Couvercle
  - Corps de pompe

## DE

- Key No**
- Deckeldichtung
  - Impeller
  - Wellendichtung
  - Deckel schraube
  - Exzenter
  - Exzentrerschraube
  - Lagerdichtung innen
  - Kugellager innen
  - Lagererdichtung aussen
  - Kugellager aussen
  - Welle
  - Verschleissplatte
  - Dekeischraube
  - Pumpengehause

## IT

- Key No**
- Guarnizione
  - Girante
  - Tenuta
  - Viti coperchio
  - Camme
  - Vite camme
  - Tenuta intereno cusine
  - Cuscinetto interno
  - Tunuta cuscinetto esterno
  - Cuscinetto esterno
  - Albero
  - Piastria d'usura
  - Coperchio
  - Corpo pump

## NL

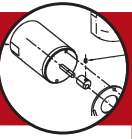
- Key No**
- Papier
  - Waaijer
  - Asdichting
  - Deksel schroeven
  - Kam
  - Kam Schroef
  - Simmer ring
  - Kogellager
  - Simmer Ring
  - Kogellager
  - As
  - Slijpplaat
  - Einddeksel
  - Pomp Huis

## SE

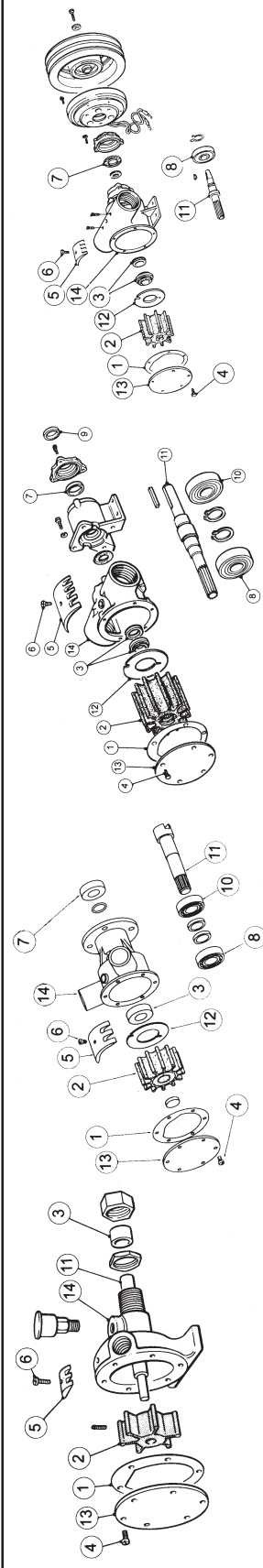
- Key No**
- Pakning
  - Impeller
  - Tätning
  - Skruv
  - Kam
  - Kamskruv
  - Lapptating
  - Inre lager
  - Yttre lagetätning
  - Yttre lager
  - Axel
  - Slitbricka
  - Lock
  - Pumphus

## ES

- Key No**
- Junta
  - Impulsor
  - Sello
  - Tornillo
  - Leva
  - Tornillo de la leva
  - Sello interno cojine
  - Cojinete interno
  - Sello cojinete externo
  - Cojinete externo
  - Eje
  - Disco de degaste
  - Apa
  - Cuerpo de la bomba



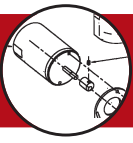
JABSCO PUMP DETAILS				SERVICE KIT DETAILS				GENERAL PARTS LISTING														
Pump Number	Origin	Pump Size	Port Type	Mount Type	Obsolete	Alternate Part No	Kit Number	Gasket/ O Ring	Impeller	Water Seal	End Cover Screws	Cam	Cam Screw	Pump End Oil Seal	Pump End Bearing	Drive End Oil Seal	Drive End Bearing	Shaft	Wearplate	Endcover	Body	
							Key															* OEM supply only
AL1/4"-200	UK	010	1/4"BSP	Foot			SK1	1126	4528-0001	AL22	SP1002-01	AL8	SP1002-02	---	---	---	---	AL10	---	AL6-200	ALA-200A120	
AL1/4"-204	UK	010	1/4"BSP	Foot	x		SK1	1126	4528-0001	AL22	SP1002-01	AL8	SP1002-02	---	---	---	---	AL10	---	AL6-200	ALA-200	
AL1/4"-237	UK	010	1/4"BSP	Foot	x		SK1-37	1126	4528-0003	AL22	SP1002-01	AL8	SP1002-02	---	---	---	---	AL10	---	AL6-200	ALA-200	
B3/4"-200	UK	020	3/4"BSP	Foot	x	6540-200	SK2	2995-0030	4527-0001	B22	SP1002-01	2907-0001	SP1002-02	---	---	---	---	B10	---	3992	B8-200	
JD3/4"-200	UK	040	3/4"BSP	Foot	x		SK220	706-01	4598-0001	C20	SP1003-02	934	SP1004-01	---	---	---	---	D10-01	---	D6-01-200	JD4-200	
JD3/4"-201	UK	040	3/4"BSP	Foot	x	JD3/4-200	SK220	706-01	4598-0001	3791	SP1003-02	934	SP1004-01	---	---	---	---	D10-201	---	D6-01-200	JD4-200	
JD3/4"-205	UK	040	3/4"BSP	Foot	x		SK220	706-01	4598-0001	3791	SP1003-02	2431	SP1004-09	---	---	---	---	D10-01	---	D6-01-200	JD4-200	
JD3/4"-208	UK	040	3/4"BSP	Foot	x	JD3/4-200	SK220	706-01	4598-0001	C20	SP1003-02	934	SP1004-01	---	---	---	---	D10-01	---	D6-01-200	JD4-200	
JD3/4"-237	UK	040	3/4"BSP	Foot	x		SK220-37	706-01	4598-0003	C20	SP1003-02	934	SP1004-01	---	---	---	---	D10-01	---	D6-01-200	JD4-200	
777-0001	USA	080	1"BSP	Foot	x		90010-0001	890-0000	17937-0001	92700-0060	91003-0010	934-0000	91004-0090	913-0000	92600-0540	914-0000	---	6718-0000	4156-0000	11831-0000	798-0020	
777-0003	USA	080	1"NPT	Foot			90010-0003	890-0000	920-0003	92700-0060	91003-0010	934-0000	91004-0090	913-0000	92600-0540	914-0000	---	6718-0000	4156-0000	11831-0000	798-0020	
777-9001	USA	080	1"NPT	Foot			90118-0001	890-0000	17937-0001	96080-0080	91003-0010	934-0000	91004-0090	913-0000	92600-0540	914-0000	---	6718-0000	4156-0000	11831-0000	798-0020	
777-9003	USA	080	1"NPT	Foot			90118-0003	890-0000	920-0003	96080-0080	91003-0010	934-0000	91004-0090	913-0000	92600-0540	914-0000	---	6718-0000	4156-0000	11831-0000	798-0020	
777-9004	USA	080	1"NPT	Foot			90118-0001	890-0000	14282-0004	96080-0080	91003-0010	934-0000	91004-0090	913-0000	92600-0540	914-0000	---	17941-0000	4156-0000	11831-0000	798-0020	
777-9005	USA	080	1"NPT	Foot			90118-0003	890-0000	920-0003	96080-0080	91003-0010	934-0000	91004-0090	913-0000	92600-0540	914-0000	---	6718-0000	4156-0000	11831-0000	798-0020	
777-9011	USA	080	1"NPT	Foot			90118-0001	890-0000	17937-0001	96080-0080	91003-0010	934-0000	91004-0090	913-0000	92600-0540	914-0000	---	6718-0000	4156-0000	11831-0000	798-0020	
777-9051	USA	080	1"NPT	Foot			90118-0001	2432-0000	17937-0001	96080-0080	91003-0010	2431-0000	91004-0100	913-0000	92600-0540	914-0000	---	6718-0000	4156-0000	11831-0000	798-0020	
823-200	USA	200	1 1/4"BSP	Foot	x		SK11	816	836-0001	1814	SP1005-04	834-0000	91005-0040	817-0000	92600-0040	818-0000	---	824-0000	2574-0000	12062-0000	---	
823-205	USA	200	1 1/4"BSP	Foot	x		SK11	816	836-0001	1814	SP1005-04	2551-0000	91005-0050	817-0000	92600-0040	818-0000	---	824-0000	2574-0000	12062-0000	---	
1673-0001	USA	040	1/2"NPT	Foot			90015-0001	1835-0000	1210-0001	92700-0060	91003-0010	490-0001	91003-0010	1554-0000	92600-0330	---	---	1737-0410	---	11836-0000	9094-0000	
1673-0003	USA	040	1/2"NPT	Foot			90015-0003	1835-0000	1210-0003	92700-0060	91003-0010	490-0001	91003-0010	1554-0000	92600-0330	---	---	1737-0410	---	11836-0000	9094-0000	
1673-1001	USA	040	1/2"NPT	Foot			90015-0001	18753-0133	1210-0003	92700-0060	91003-0010	490-0000	91003-0010	---	18753-0130	---	---	18753-0130	---	11836-0000	18753-0128	
1673-1003	USA	040	1/2"NPT	Foot			90015-0003	18753-0133	1210-0003	92700-0060	91003-0010	490-0000	91003-0010	---	18753-0130	---	---	18753-0130	---	11836-0000	18753-0128	
1673-2001	USA	040	1/2"NPT	Foot			90019-0001	18753-0133	1210-0003	96080-0080	91003-0010	490-0000	91003-0010	---	18753-0130	---	---	18753-0130	---	11836-0000	18753-0128	
2300-9001	USA	080	1"NPT	Foot			90118-0001	890-0000	920-0003	96080-0080	91003-0010	934-0000	91004-0090	913-1000	92600-0060	---	---	6718-0001	4156-0000	11831-0000	798-0030	
2300-9003	USA	080	1"NPT	Foot			90118-0003	890-0000	920-0003	96080-0080	91003-0010	934-0000	91004-0090	913-1000	92600-0060	---	---	6718-0001	4156-0000	11831-0000	798-0030	
2300-9004	USA	080	1"NPT	Foot			90118-0001	890-0000	17937-0001	96080-0080	91003-0010	934-0000	91004-0090	913-0000	92600-0060	---	---	6718-0001	4156-0000	11831-0000	798-0030	
2300-9005	USA	080	1"NPT	Foot			90118-0003	890-0000	920-0003	96080-0080	91003-0010	934-0000	91004-0090	913-0000	92600-0060	---	---	6718-0001	4156-0000	11831-0000	798-0030	
2570-0001	USA	080	1 1/4" Flanged	Flange			90019-0001	816-0000	17935-0001	6408-0000	91095-0060	834-0001	91005-0040	817-0000	92600-0040	---	---	2567-0000	2574-0000	12062-0000	---	
2570-0011	UK	200	1 1/4" Flanged	Flange			SK19	816	17935-0001	21849	SP1005-04	834	SP1005-04	---	SP2700-50	---	---	2567-0000	2574-0000	12062-0000	---	
2570-0021	UK	200	1 1/4" Flanged	Flange			90019-0001	816-0000	17935-0001	6408-0000	91095-0060	834-0001	91005-0040	817-0000	92600-0040	---	---	2567-0000	2574-0000	12062-0000	---	
2570-0051	USA	200	1 1/4" Flanged	Flange			90019-0001	816-0000	17935-0001	6408-0000	91095-0060	2551-0000	91005-0040	817-0000	92600-0040	---	---	2567-0000	2574-0000	12062-0000	---	
2570-0151	USA	200	1 1/4" Flanged	Flange			90019-0001	816-0000	17935-0001	6408-0000	91095-0060	2551-0000	91005-0040	817-0000	92600-0040	---	---	2567-0000	2574-0000	12062-0000	---	
2570-0211	USA	200	1 1/4" Flanged	Flange			90019-0001	816-0000	17935-0001	6408-0000	91095-0060	834-0001	91005-0040	817-0000	92600-0040	---	---	2567-0000	2574-0000	12062-0000	---	
2570-3000	USA	200	1 1/4" Flanged	Flange			90019-0001	816-0000	17935-0001	6408-0000	91095-0060	834-0001	91005-0040	817-0000	92600-0040	---	---	2567-0000	2574-0000	12062-0000	---	
2620-200	UK	020	3/8"BSP	Foot	x		SK20	2995-0030	673-0001	SP2700-05	SP1002-02	2907-0001	SP1002-09	---	---	---	---	688-21-24	---	3992	2438-200	
2620-211	UK	020	3/8"BSP	Foot	x	2620-200	SK20	2995-0030	673-0001	SP2700-05	SP1002-02	2907-0001	SP1002-09	---	---	---	---	688-21-24	---	3992	2438-200	
2620-221	UK	020	3/8"BSP	Foot	x	2620-200	SK20	2995-0030	673-0001	SP2700-05	SP1002-02	2907-0001	SP1002-09	---	---	---	---	688-21-24	---	3992	2438-200	
2620-237	UK	020	3/8"BSP	Foot	x		SK20-37	2995-0030	673-0003	SP2700-05	SP1002-02	2907-0001	SP1002-09	---	---	---	---	688-21	---	3992	2438-200	



Service Parts - Flexible Impeller Pumps Spares by Pump Model AL1/4"-200 to 2620-237

# Service Parts -

Flexible Impeller Pumps Spares by  
 Pump Model **2620-252 to 3370-221**

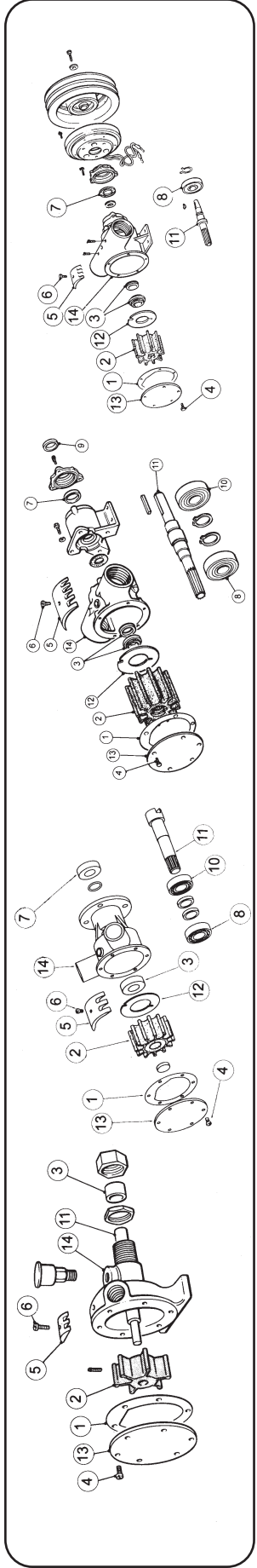


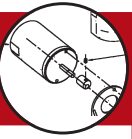
11

www.jabasco.com

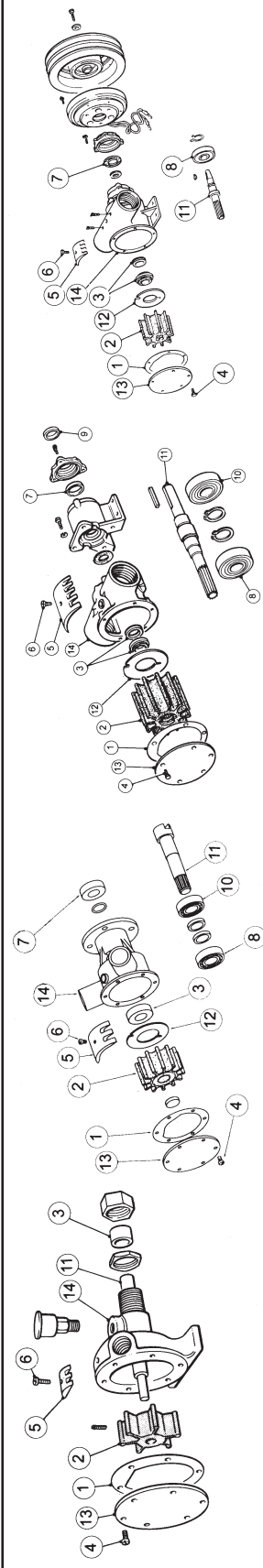
JABSCO

JABSCO PUMP DETAILS				SERVICE KIT DETAILS				GENERAL PARTS LISTING														
Pump Number	Origin	Pump Size	Port Type	Mount Type	Alternate Part No	Kit Number	Key	Gasket/ O Ring	Impeller	Water Seal	End Cover Screws	Cam	Cam Screw	Pump End Oil Seal	Pump End Bearing	Drive End Oil Seal	Drive End Bearing	Shaft	Wearplate	Endcover	Body	
																						* OEM supply only
2620-252	UK	020	3/8" BSP	Foot	X	SK20	2995-0030	673-0001	SP1002-02	2907-0001	SP1002-09	SP1002-09	SP1002-09	SP1002-09	SP1002-09	SP1002-09	SP1002-09	355-07-24	---	---	---	14
2620-253	UK	020	3/8" BSP	Foot	X	SK20	2995-0030	673-0001	SP1002-02	2907-0001	SP1002-09	SP1002-09	SP1002-09	SP1002-09	SP1002-09	SP1002-09	SP1002-09	355-07-24	---	---	---	14
2620-254	UK	020	3/8" BSP	Foot	X	SK20-05	2442	SP1002-02	2441	SP1002-02	2441	SP1002-02	2441	SP1002-02	SP1002-02	SP1002-02	SP1002-02	355-07-24	---	---	---	14
2620-255	UK	020	3/8" BSP	Foot	X	SK20-05	2995-0030	673-0001	SP1002-02	2907-0001	SP1002-02	2907-0001	SP1002-02	2907-0001	SP1002-02	SP1002-02	SP1002-02	355-07-24	---	---	---	14
2620-271	UK	020	3/8" BSP	Foot	X	SK20	2995-0030	673-0001	SP1002-02	2907-0001	SP1002-02	2907-0001	SP1002-02	2907-0001	SP1002-02	SP1002-02	SP1002-02	355-07-24	---	---	---	14
2620-281	UK	020	3/8" BSP	Foot	X	SK20	2995-0030	673-0001	SP1002-02	2907-0001	SP1002-02	2907-0001	SP1002-02	2907-0001	SP1002-02	SP1002-02	SP1002-02	355-07-24	---	---	---	14
2620-0001	USA	020	3/8" NPT	Foot	X	90020-0001	2995-0000	18673-0003	92700-0050	91002-0020	2907-0000	91002-0090	91002-0090	91002-0090	91002-0090	91002-0090	91002-0090	688-0240	---	---	---	14
2620-0003	USA	020	3/8" NPT	Foot	X	90020-0003	2995-0000	18673-0003	92700-0050	91002-0020	2907-0000	91002-0090	91002-0090	91002-0090	91002-0090	91002-0090	91002-0090	688-0240	---	---	---	14
2620-0053	USA	020	3/8" NPT	Foot	X	90020-0003	2995-0000	18673-0003	92700-0050	91002-0020	2907-0000	91002-0090	91002-0090	91002-0090	91002-0090	91002-0090	91002-0090	688-0240	---	---	---	14
2620-1001	USA	020	3/8" NPT	Foot	X	90020-0003	18753-0125	18673-0003	92700-0050	91002-0020	2907-0001	91002-0090	91002-0090	91002-0090	91002-0090	91002-0090	91002-0090	18753-0124	---	---	---	14
2620-1003	USA	020	3/8" NPT	Foot	X	90020-0003	18753-0125	18673-0003	92700-0050	91002-0020	2907-0001	91002-0090	91002-0090	91002-0090	91002-0090	91002-0090	91002-0090	18753-0124	---	---	---	14
2760-0001	USA	010	3/8" NPT	Foot	X	90020-0003	1189-0000	4528-0003	92700-0110	91002-0010	4271-0000	91002-0030	91002-0030	91002-0030	91002-0030	91002-0030	91002-0030	1053-0000	---	---	---	14
2760-0003	USA	020	1/2" NPT	Foot	X	90023-0001	1189-0000	4528-0003	92700-0110	91002-0010	4271-0000	91002-0030	91002-0030	91002-0030	91002-0030	91002-0030	91002-0030	1053-0000	---	---	---	14
3110-0001	USA	200	2" Flanged	Flange	X	90019-0001	816-0000	17935-0001	6408-0000	91006-0090	834-0001	91005-0040	91005-0040	91005-0040	91005-0040	91005-0040	91005-0040	2567-0000	2574-0000	12062-0000	Not for sale	
3110-0011	USA	200	2" Flanged	Flange	X	90019-0001	816-0000	17935-0001	6408-0000	91006-0090	834-0001	91005-0040	91005-0040	91005-0040	91005-0040	91005-0040	91005-0040	2567-0000	2574-0000	12062-0000	Not for sale	
3190-0001	USA	080	2" Flanged	Flange	X	90019-0001	890-0000	17937-0001	92700-0070	91003-0010	7873-0000	91003-0020	91003-0020	91003-0020	91003-0020	91003-0020	91003-0020	2567-0000	7868-0000	11831-0000	Obsolete	
3200-0011	USA	500	2" NPT	Foot	X	90029-0001	3209-0000	2999-0001	3222-0000	91006-0050	3210-0000	91006-0030	91006-0030	91006-0030	91006-0030	91006-0030	91006-0030	3207-0000	3211-0000	12069-0000	3204-0000	
3200-01	USA	500	2" BSP	Foot	X	9440-200	SK29	3209	2999-0001	9309	SP1006-05	SP1006-05	SP1006-05	SP1006-05	SP1006-05	SP1006-05	SP1006-05	3207	9316	9448	9444	
3200-0011	USA	500	2" NPT	Foot	X	90029-0001	3209-0000	2999-0001	3222-0000	91006-0050	3210-0000	91006-0030	91006-0030	91006-0030	91006-0030	91006-0030	91006-0030	3207-0000	3211-0000	12069-0000	3204-0000	
3240-0011	UK	200	2" Flanged	Flange	X	90019-0001	816-0000	17935-0001	6408-0000	91006-0090	834-0001	91005-0040	91005-0040	91005-0040	91005-0040	91005-0040	91005-0040	2567-0000	2574-0000	12062-0000	Proprietary	
3240-1001	UK	200	2" Flanged	Flange	X	90019-0001	816-0000	17935-0001	6408-0000	91006-0090	834-0001	91005-0040	91005-0040	91005-0040	91005-0040	91005-0040	91005-0040	2567-0000	2574-0000	12062-0000	Proprietary	
3270-0000	UK	040	3/8" BSP	Flange	X	SK33	3298	1210-0001	SP2701-21	SP1002-02	7876	SP1003-01	SP1003-01	SP1003-01	SP1003-01	SP1003-01	SP1003-01	3277	7883	3275	3274	
3270-0001	USA	040	3/8" NPT	Flange	X	90033-0001	3298-0000	1210-0001	92700-0060	91002-0020	7884-0000	91003-0010	91003-0010	91003-0010	91003-0010	91003-0010	91003-0010	3277	7883	3275	3274	
3270-1951	UK	040	3/8" BSP	Flange	X	SK33	3298	1210-0001	SP2701-21	SP1002-02	7876	SP1003-01	SP1003-01	SP1003-01	SP1003-01	SP1003-01	SP1003-01	3277	7883	3275	3274	
3270-200	UK	040	3/8" BSP	Flange	X	SK33	3298	1210-0001	SP2701-21	SP1002-02	7876	SP1003-01	SP1003-01	SP1003-01	SP1003-01	SP1003-01	SP1003-01	3277	7883	3275	3274	
3270-205	UK	040	3/8" BSP	Flange	X	SK33	3298	1210-0001	SP2701-21	SP1002-02	7876	SP1003-01	SP1003-01	SP1003-01	SP1003-01	SP1003-01	SP1003-01	3277	7883	3275	3274	
3270-2101	UK	040	3/8" BSP	Flange	X	SK271	3298	1210-0001	SP2701-21	SP1002-02	7876	SP1003-01	SP1003-01	SP1003-01	SP1003-01	SP1003-01	SP1003-01	3277	7883	3275	3274	
3270-2301	UK	040	3/8" BSP	Flange	X	SK33	3298	1210-0001	SP2701-21	SP1002-02	7876	SP1003-01	SP1003-01	SP1003-01	SP1003-01	SP1003-01	SP1003-01	3277	7883	3275	3274	
3270-2401	UK	040	3/8" BSP	Flange	X	SK33	3298	1210-0001	SP2701-21	SP1002-02	7876	SP1003-01	SP1003-01	SP1003-01	SP1003-01	SP1003-01	SP1003-01	3277	7883	3275	3274	
3270-241	UK	040	3/8" BSP	Flange	X	SK271	3298	1210-0001	SP2701-21	SP1002-02	7876	SP1003-01	SP1003-01	SP1003-01	SP1003-01	SP1003-01	SP1003-01	3277	7883	3275	3274	
3270-251	UK	040	3/8" BSP	Flange	X	SK33	3298	1210-0001	SP2701-21	SP1002-02	7876	SP1003-01	SP1003-01	SP1003-01	SP1003-01	SP1003-01	SP1003-01	3277	7883	3275	3274	
3270-261	UK	040	3/8" BSP	Flange	X	SK33	3298	1210-0001	SP2701-21	SP1002-02	7876	SP1003-01	SP1003-01	SP1003-01	SP1003-01	SP1003-01	SP1003-01	3277	7883	3275	3274	
3270-271	UK	040	3/8" BSP	Flange	X	SK271	3298	1210-0001	SP2701-21	SP1002-02	7876	SP1003-01	SP1003-01	SP1003-01	SP1003-01	SP1003-01	SP1003-01	3277	7883	3275	3274	
3270-2801	UK	040	3/8" BSP	Flange	X	SK271	3298	1210-0001	SP2701-21	SP1002-02	7876	SP1003-01	SP1003-01	SP1003-01	SP1003-01	SP1003-01	SP1003-01	3277	7883	3275	3274	
3280-200	UK	040	3/8" BSP	Flange	X	SK33	3298	1210-0001	SP2701-21	SP1002-02	7876	SP1003-01	SP1003-01	SP1003-01	SP1003-01	SP1003-01	SP1003-01	3277	7883	3275	3274	
3370-201	UK	040	3/8" BSP	Flange	X	SK33	3298	1210-0001	SP2701-21	SP1002-02	7876	SP1003-01	SP1003-01	SP1003-01	SP1003-01	SP1003-01	SP1003-01	3277	7883	3275	3274	
3370-221	UK	040	3/8" BSP	Flange	X	SK33	3298	1210-0001	SP2701-21	SP1002-02	7876	SP1003-01	SP1003-01	SP1003-01	SP1003-01	SP1003-01	SP1003-01	3277	7883	3275	3274	





JABSCO PUMP DETAILS				SERVICE KIT DETAILS				GENERAL PARTS LISTING													
Pump Number	Origin	Pump Size	Port Type	Mount Type	Alternate Part No	Kit Number	Gasket/ O Ring	Impeller	Water Seal	End Cover Screws	Cam	Cam Screw	Pump End Oil Seal	Pump End Bearing	Drive End Oil Seal	Drive End Bearing	Shaft	Wearplate	Endcover	Body	
				Obsolete		Key		* OEM supply only													* OEM supply only
3370-241	UK	040	3/4" BSP	Flange	x	SK33	3298	1210-0001	SP2701-21	SP1002-02	10538	SP1003-09	SP2701-21	SP2600-13	---	SP2600-13	5857	7883	3992	3274-200	
3370-251	UK	040	3/4" BSP	Flange	x	SK33	3298	1210-0001	SP2701-21	SP1002-02	Assy 7884	SP1003-01	SP2701-21	SP2600-13	---	SP2600-13	9647	Assy 7884	3992	3274-251	
3370-271	UK	040	3/4" BSP	Flange	x	SK33	3298	1210-0001	SP2701-21	SP1002-02	Assy 7884	SP1003-01	SP2701-21	SP2600-13	---	SP2600-13	5857	Assy 7884	3992	3374-200	
3380-200	USA	040	3/4" BSP	Flange	x	90033-0001	5212-0000	1210-0001	92700-0060	91002-0020	5211-0000	91003-0090	92700-0060	92600-0130	---	92600-0130	5857-0000	---	11830-0000	3384-0000	
3380-200	UK	040	3/4" BSP	Flange	x	SK33	3298	1210-0001	SP2701-21	SP1002-02	Assy 5211	SP1003-07	SP2701-21	SP2600-13	---	SP2600-13	5857	Assy 5211	3992	3384	
3380-221	UK	040	1/2" BSP	Flange	x	SK33	3298	1210-0001	SP2701-21	SP1002-02	Assy 5211	SP1003-07	SP2701-21	SP2600-13	---	SP2600-13	9647	Assy 5211	3992	3384	
3570	UK	200	1 1/2" Flanged	Flange	x	SK375-0101	816	17935-0001	21849	SP1005-04	Assy 7257	SP1005-04	SP2700-51	---	SP2700-49	3577-0020	---	Assy 7257	9336	3574	
3570-0001	USA	200	1 1/2" Flanged	Flange	x	90019-0001	816-0000	17935-0001	6408-0000	91095-0060	7256-0000	91005-0040	92600-0040	---	---	92600-0040	3577-0000	2574-0000	12062-0000	Obsolete	
3590-9001	USA	080	1 3/4" Flanged	Flange	x	90118-0001	2432-0000	17937-0001	96080-0080	91003-0010	7957-0000	91004-0090	92700-0200	---	---	92600-0060	---	9757-0000	12062-0000	Obsolete	
3890-9011	USA	040	3/4" NPT	Foot	x	90111-0011	3298-0000	1210-0001	96080-0080	91000-0020	7884-0000	91003-0010	92700-0180	---	---	92600-0070	---	3897-9000	11831-0000	3894-0010	
4160	UK	080	32 Hs./FL	Flange	x	---	---	---	---	---	---	---	---	---	---	---	---	---	---	---	---
4330-01	UK	080	1 1/2" Flanged	Flange	x	SK230	816	836-0001	21849	SP1005-04	834	SP1005-04	SP2704-01	---	SP2704-02	SP2600-20	4367	2574	9336	4364	
4360	UK	040	1/2" BSP	Flange	x	SK242	4908	4568-0001	SP2701-01	SP0600-02	6396	SP1003-01	---	---	---	---	4417	5097	4905	4414	
4530-0001	USA	010	1/4" NPT	Foot	---	90001-0001	1126-0000	4528-0001	4539-0000	91002-0010	4538-0000	91002-0020	---	---	---	---	4537-0000	---	11835-0000	4534-0000	
4540-0003	USA	010	1/4" NPT	Foot	---	90001-0003	1126-0000	4528-0003	4539-0000	91002-0010	4538-0000	91002-0020	---	---	---	---	4537-0000	---	11835-0000	4534-0000	
4540-0003	USA	020	3/8" NPT	Foot	---	90002-0001	2995-0000	4527-0001	4549-0000	91002-0010	2907-0000	91002-0020	---	---	---	---	4547-0000	---	11830-0000	4544-0000	
4540-0003	USA	020	3/8" NPT	Foot	---	90002-0003	2995-0000	4527-0003	4549-0000	91002-0010	2907-0000	91002-0020	---	---	---	---	4547-0000	---	11830-0000	4544-0000	
4560-0001	USA	040	1/2" NPT	Foot	---	90003-0001	7083-0000	4568-0001	3791-0000	91002-0020	490-0001	91003-0070	---	---	---	---	4567-0000	---	4565-0000	4564-0000	
4560-0003	USA	040	1/2" NPT	Foot	---	90003-0003	7083-0000	4568-0003	3791-0000	91002-0020	490-0001	91003-0070	---	---	---	---	4567-0000	---	4565-0000	4564-0000	
4590-0001	USA	080	3/4" NPT	Foot	---	90004-0001	706-0010	4598-0001	3791-0000	91003-0010	17612-0000	91004-0010	---	---	---	---	4597-0000	---	4595-0000	4594-0000	
4590-0003	USA	080	3/4" NPT	Foot	---	90004-0003	706-0010	4598-0003	3791-0000	91003-0010	17612-0000	91004-0010	---	---	---	---	4597-0000	---	4595-0000	4594-0000	
4620-0001	USA	080	1" NPT	Foot	---	90004-0001	706-0010	4598-0001	3791-0000	91003-0010	17612-0000	91004-0010	---	---	---	---	4597-0000	---	4595-0000	4624-0000	
4620-0003	USA	080	1" NPT	Foot	---	90004-0003	706-0010	4598-0003	3791-0000	91003-0010	17612-0000	91004-0010	---	---	---	---	4597-0000	---	4595-0000	4624-0000	
4760-01	UK	020	3/8" BSP	Flange	x	SK228	2995-0030	673-0001	SP2701-04	SP1002-01	4454	SP1002-09	---	---	---	---	4766	4466	3992	4764	
4760-101	UK	020	3/8" BSP	Flange	x	SK228	2995-0030	673-0001	SP2701-04	SP1002-01	4454	SP1002-09	---	---	---	---	4766-101	4466	3992	4764-41	
4760-111	UK	020	3/8" BSP	Flange	x	SK228	2995-0030	673-0001	SP2701-04	SP1002-01	4454	SP1002-09	---	---	---	---	4766-111	4466	3992	4764	
4760-141	UK	020	3/8" BSP	Flange	x	SK228	2995-0030	673-0001	SP2701-04	SP1002-01	4454	SP1002-09	---	---	---	---	4766-141	4466	3992	4764-41	
4760-151	UK	020	3/8" BSP	Flange	x	SK228	2995-0030	673-0001	SP2701-04	SP1002-01	4454	SP1002-09	---	---	---	---	4766-151	4466	3992	4764	
4760-21	UK	020	3/8" BSP	Flange	x	SK228	2995-0030	673-0001	SP2701-04	SP1002-01	4454	SP1002-09	---	---	---	---	4766-21	4466	3992	4764	
4760-41	UK	020	1/2" BSP	Flange	x	SK228	2995-0030	673-0001	SP2701-04	SP1002-01	4454	SP1002-09	---	---	---	---	4766	4466	3992	4764-41	
4760-51	UK	020	3/8" BSP	Flange	x	SK228	2995-0030	673-0001	SP2701-04	SP1002-01	4454	SP1002-09	---	---	---	---	4766	4466	3992	4764-41	
4760-61	UK	020	3/8" BSP	Flange	x	SK228	2995-0030	673-0001	SP2701-04	SP1002-01	4454	SP1002-09	---	---	---	---	4767-61	4466	3992	4764-41	
4760-71	UK	020	3/8" BSP	Flange	x	SK228	2995-0030	673-0001	SP2701-04	SP1002-01	4454	SP1002-09	---	---	---	---	4766-71	4466	3992	4764-71	
4760-81	UK	020	3/8" BSP	Flange	x	SK228	2995-0030	673-0001	SP2701-04	SP1002-01	4454	SP1002-09	---	---	---	---	4766-81	4466	3992	4674	
4760-91	UK	020	1/2" BSP	Flange	x	SK228	2995-0030	673-0001	SP2701-04	SP1002-01	4454	SP1002-09	---	---	---	---	4766-91	4466	3992	4674	
4780	UK	010	3/8" BSP	Flange	x	SK217	1126	4528-0001	SP2701-09	SP1002-01	ALB-01	SP1002-01	---	---	---	---	Assy. 4787	---	AL6-200	4784	
4800-101	UK	200	1 1/2" Flanged	Flange	x	SK230	816	836-0001	21849	SP1005-04	2551	SP1005-05	SP2700-51	---	---	SP2600-03	4338-07	2574	9336	4804-01	



Flexible Impeller Pumps Spares by  
 Pump Model **3370-241 to 4800-111**

# Service Parts -

# Service Parts -

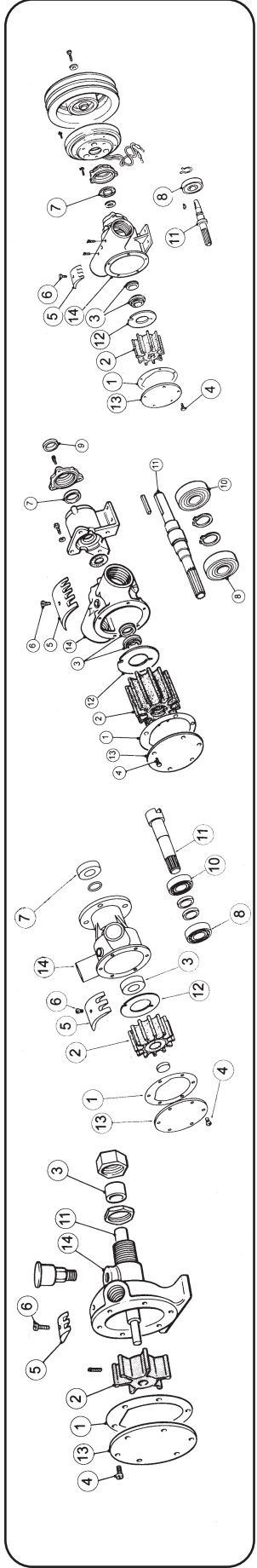
Flexible Impeller Pumps Spares by  
Pump Model **4800-161 to 6400-207**

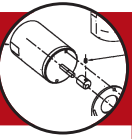
11

www.jabasco.com

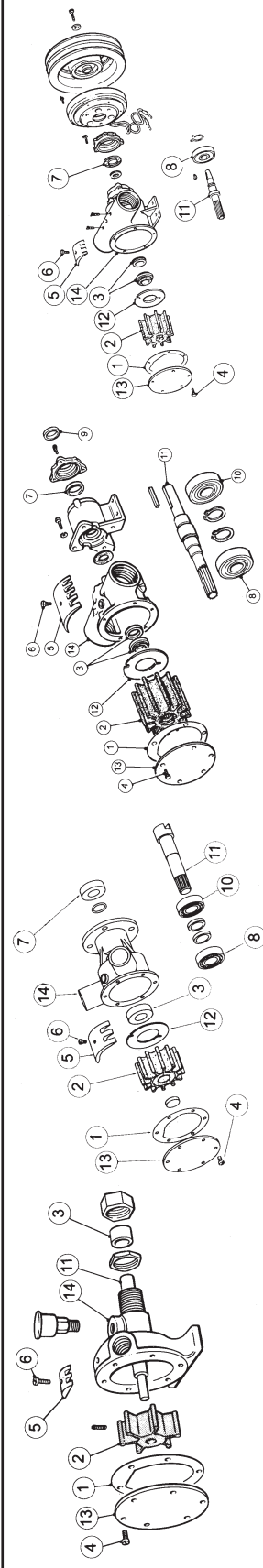
JABSCO

JABSCO PUMP DETAILS				SERVICE KIT DETAILS				GENERAL PARTS LISTING												
Pump Number	Origin	Pump Size	Port Type	Mount Type	Alternate Part No	Kit Number	Gasket/O Ring	Impeller	Water Seal	End Cover Screws	Cam	Cam Screw	Pump End Oil Seal	Pump End Bearing	Drive End Oil Seal	Drive End Bearing	Shaft	Wearplate	Endcover	Body
						Key	1	2	3	4	5	6	7	8	9	10	11	12	13	14
4800-111	UK	200	1 1/2 Flanged	Flange	x 11790	SK230	816	836-0001	21849	SP1005-04	834	SP1005-04	SP2700-51	---	---	SP2600-03	4338-07	2574	9336	4804-01
4800-161	UK	200	1 1/2 Flanged	Flange	x	SK230	816	836-0001	21849	SP1005-04	834	SP1005-04	SP2700-51	---	---	SP2600-03	4388	2574	4807-161	4804-01
4800-171	UK	200	1 1/2 Flanged	Flange	x	SK230	816	836-0001	21849	SP1005-04	2551	SP1005-05	SP2700-51	---	---	SP2600-03	4388	2574	4807-181	4804
4800-21	UK	200	1 1/2 BSP	Flange	x 4800-21-01	SK230	816	836-0001	21849	SP1005-04	2551	SP1005-05	SP2700-51	---	---	SP2600-18	4388-07	2574	9336	4804
4800-21-01	UK	200	1 1/2 Flanged	Flange	x	SK230	816	836-0001	21849	SP1005-04	2551	SP1005-05	SP2700-51	---	---	SP2600-18	4388-07	2574	9336	4804
4800-41	UK	200	1 1/2 Flanged	Flange	x	SK230	816	836-0001	21849	SP1005-04	834	SP1005-05	SP2700-51	---	---	SP2600-18	4388-07	2574	9336	4804
4800-51	UK	200	1 1/2 Flanged	Flange	x	SK230	816	836-0001	21849	SP1005-04	2551	SP1005-05	SP2700-51	---	---	SP2600-18	4388	2574	4807-51	4804-01
4800-53	UK	200	1 1/2 Flanged	Flange	x	SK230	816	836-0001	21849	SP1005-04	834	SP1005-04	SP2700-51	---	---	SP2600-03	4388-53	2574	9336	4804-01
4800-54	UK	200	1 1/2 Flanged	Flange	x	SK230	816	836-0001	21849	SP1005-04	834	SP1005-04	SP2700-51	---	---	SP2600-18	4388-07	2574	9336	4804-01
4800-71	UK	200	1 1/2 Flanged	Flange	x	SK230	816	836-0001	21849	SP1005-04	834	SP1005-04	SP2700-51	---	---	SP2600-03	4388-07	2574	9336	4804-01
4850	UK	080	Ø 32 Hose	Flange	x 9750	SK230	3101	920-08	SP2700-06	SP1003-09	5418	SP1003-09	SP2700-07	SP2601-19	---	SP2601-04	4857	5419	4855	4854
4860	UK	080	Ø 32 Hose	Flange	x 9760	SK230	3101	920-08	SP2700-06	SP1003-09	5418	SP1003-09	SP2700-07	SP2600-07	---	SP2600-01	4867	5419	4855	4854
4900-01	UK	040	1/2 BSP	Foot	x	SK234	4908	4568-0001	3791	SP1003-09	4906	SP1003-07	---	---	---	C10	---	---	4905	4904
4900-200	UK	040	1/2 BSP	Foot	x	SK234	4908	4568-0001	3791	SP1003-09	490	SP1003-07	---	---	---	C10-01	---	---	4905	4904-200
4900-201	UK	040	1/2 BSP	Foot	x	SK234	4908	4568-0001	3791	SP1003-09	490	SP1003-07	---	---	---	C10-01	---	---	4905	4904-200
4900-205	UK	040	1/2 BSP	Foot	x	SK234	4908	4568-0001	3791	SP1003-09	10336	SP1003-10	---	---	---	C10-01	---	---	4905	4904-200
4900-237	UK	040	1/2 BSP	Foot	x	SK234-37	4908	4568-0003	3791	SP1003-09	490	SP1003-07	---	---	---	C10-01	---	---	4905	4904-200
5320-0011	USA	020	3/4 NPT	Foot	x	90044-0001	2995-0000	5616-0001	92700-020	91002-0020	7895-0000	91002-0090	---	---	---	6020-0000	---	---	11830-0000	4484-0000
5330-9001	USA	080	1 NPT	Foot	x	90118-0001	3101-0000	17937-0001	96080-0080	91003-0010	7867-0000	91003-0010	913-0000	92600-0060	---	---	5337-0000	7868-0000	11831-0000	3784-9000
5330-9101	USA	080	1 NPT	Foot	x 52200-2051	90118-0001	890-0000	17937-0001	96080-0080	91003-0010	17612-0001	91004-0090	913-0000	92600-0060	---	---	5337-0000	7868-0000	11831-0000	3784-9000
5400-205	UK	080	1 1/2 BSP	Foot	x	SK406-0001	890	17937-0001	---	SP2701-04	2907-0001	SP1002-01	---	---	---	---	5467	---	5465	5464
5460	UK	020	3/8 BSP	Flange	x	90051-0001	3298-0000	1210-0001	92700-0060	91002-0020	7607-0000	91003-0010	913-0000	92600-0060	---	---	Obsolete	7607-0000	11830-0000	Obsolete
5560-0001	USA	040	1 NPT	Flange	x	SK228	2995-0030	673-0001	SP2701-04	SP1003-01	4454	SP1002-01	---	---	---	---	5647	4466	---	5644
5640	UK	020	1/2 NPT	Flange	x	90051-0001	3298-0000	1210-0001	92700-0060	91002-0020	7607-0000	91003-0010	913-0000	92600-0060	---	---	Obsolete	7607-0000	11830-0000	Obsolete
5660-0001	USA	040	1/2 NPT	Flange	x	90051-0001	3298-0000	1210-0001	92700-0060	91003-0010	3255-0000	91004-0090	913-0000	92600-0060	---	---	5847-0000	4156-0000	11831-0000	Proprietary
5840-0000	UK	080	1 NPT	Flange	x	90010-0001	3101-0000	17937-0001	92700-0060	SP2701-21	SP1002-02	Assy 7884	SP1003-01	SP2600-13	---	---	5857	Assy 7884	3992	5854
5850-0001	USA	040	1/2 NPT	Flange	x	90033-0001	3298-0000	12104-0001	92700-0060	91002-0020	7884-0000	91003-0010	92700-0060	---	---	92600-0130	5857-0000	11830-0000	5854-0000	
5870	UK	005	1/2 BSP	Flange	x	SK236	890	17937-0001	SP2701-09	SP1002-09	5868	SP1002-01	---	---	---	5877	5876	5875	5874	6034
6030-21	UK	080	1 Flanged	Flange	x	SK236	890	17937-0001	SP2701-21	SP1003-09	934	SP1004-09	SP2701-09	---	---	6037	4156	3993	6034	6034
6030-41	UK	080	1 Flanged	Flange	x	SK236	890	17937-0001	SP2701-21	SP1003-09	2431	SP1004-10	SP2701-11	---	---	6037	4156	3993	6034	6034
6030-61	UK	080	1 Flanged	Flange	x	SK236	890	17937-0001	SP2701-21	SP1003-09	3255	SP1004-11	SP2701-11	---	---	6037	4156	3993	6034	6034
6030-71	UK	080	1 Flanged	Flange	x	SK236	890	17937-0001	SP2701-21	SP1003-09	934	SP1004-09	SP2701-11	---	---	6037	4156	3993	6034	6034
6330	UK	080	32 Hs./Fl.	Flange	x	SK237	890	4325-0480	SP2701-06	SP1003-11	4329	SP1004-09	SP2701-06	---	---	6337	3196-01 ext	6335	6334	6334
6400-0001	USA	200	1 1/2 NPT	Foot	x	90062-0001	816-0000	17935-0001	6407-0010	91005-0040	834-0001	91005-0040	SP2600-13	---	---	824-0020	2574-0000	12062-0000	6404-0000	6404-0000
6400-0004	USA	200	1 1/2 NPT	Foot	x	90062-0001	816-0000	17935-0001	6407-0010	91005-0040	834-0001	91005-0040	SP2600-13	---	---	824-0020	2574-0000	12062-0000	6404-0000	6404-0000
6400-0051	USA	200	1 1/2 NPT	Foot	x	90062-0001	816-0000	17935-0001	6407-0010	91005-0040	2551-0000	91005-0050	SP2600-13	---	---	824-0020	2574-0000	12062-0000	6404-0000	6404-0000
6400-1051	USA	200	1 1/2 NPT	Foot	x	90062-0001	816-0000	17935-0001	6407-0010	91005-0040	2551-0000	91005-0050	SP2600-13	---	---	824-0020	2574-0000	12062-0000	6404-1000	6404-200
6400-200	UK	200	1 1/2 BSP	Foot	x	SK230	816	836-0001	21849	SP1005-04	834	SP1005-04	SP2700-49	---	---	SP2600-04	9527	2574	9336	6404-200
6400-205	UK	200	1 1/2 BSP	Foot	x 52200-2051	SK230	816	836-0001	21849	SP1005-04	2551	SP1005-05	SP2700-49	---	---	SP2600-04	9527	2574	9336	6404-200





JABSCO PUMP DETAILS				SERVICE KIT DETAILS				GENERAL PARTS LISTING														
Pump Number	Origin	Pump Size	Port Type	Mount Type	Alternate Part No	Obslete	Kit Number	Gasket/ O Ring	Impeller	Water Seal	End Cover Screws	Cam	Cam Screw	Pump End Oil Seal	Pump End Bearing	Drive End Oil Seal	Drive End Bearing	Shaft	Wearplate	Endcover	Body	
							Key	1	2	3	4	5	6	7	8	9	10	11	12	13	14	
6400-207	UK	200	1/8" BSP	Foot	52200-2001	X	SK230	816	836-0001	21849	SP1005-04	834	SP1005-04	SP2700-50	---	SP2700-49	SP2600-04	9527	2574	9336	6404-200	
6420-010	USA	080	1"NPT	Foot	52220-0011	X	SK236	890	17937-0001	SP2701-21	SP1003-09	934	SP1004-09	SP2700-48	---	SP2700-47	SP2600-06	6718	4156	3993	6424	
6420-200	UK	080	1"BSP	Foot	52080-2001	X	SK236	890	17937-0001	SP2701-21	SP1003-09	934	SP1004-09	SP2700-48	---	SP2700-47	SP2600-06	6718-21	4156	3993	6424	
6420-2001	UK	080	1"BSP	Foot	52080-2001	X	SK385-0201	890	17937-0001	SP2700-1027	SP1003-09	934	SP1004-09	SP2700-48	---	SP2700-47	SP2600-06	6718-21	4156	3993	6424-2200	
6420-204	UK	080	1"BSP	Foot	52080-2041	X	SK236	890	17937-0001	SP2701-21	SP1003-09	3255	SP1004-10	SP2700-48	---	SP2700-47	SP2600-06	6718-21	4156	3993	6424-2200	
6420-2041	UK	080	1"BSP	Foot	52080-2041	X	SK385-0201	3101	17937-0001	SP2700-1027	SP1003-09	3255	SP1004-10	SP2700-48	---	SP2700-47	SP2600-06	6718-21	4156	3993	6424-2200	
6420-205	UK	080	1"BSP	Foot	52080-2051	X	SK236	890	17937-0001	SP2701-21	SP1003-09	2431	SP1004-10	SP2700-48	---	SP2700-47	SP2600-06	6718-21	4156	3993	6424-2200	
6420-2051	UK	080	1"BSP	Foot	52080-2051	X	SK385-0201	2432	17937-0001	SP2700-1027	SP1003-09	2431	SP1004-10	SP2700-48	---	SP2700-47	SP2600-06	6718-21	4156	3993	6424-2200	
6490-122	UK	040	1/8" BSP	Foot	52080-122	X	SK225-01	6496	1210-0001	SP2701-21	SP1003-09	490	SP1003-01	---	---	---	---	1737-207	---	3993	21634	
6490-123	UK	040	1/8" BSP	Foot	52080-123	X	SK225-01	6496	1210-0001	SP2701-21	SP1003-09	490	SP1003-01	---	---	---	---	1737-207	---	3993	21634	
6490-132	UK	040	1/8" BSP	Foot	52080-132	X	SK225-01	6496	1210-0001	SP2701-21	SP1003-09	490	SP1003-01	---	---	---	---	1737-207	---	3993	21634	
6490-152	UK	040	1/8" BSP	Foot	52080-152	X	SK225-01	6496	1210-0001	SP2701-21	SP1003-09	490	SP1003-01	---	---	---	---	1737-207	---	3993	21634	
6490-153	UK	040	1/8" BSP	Foot	52080-153	X	SK225-01	6496	1210-0001	SP2701-21	SP1003-09	490	SP1003-01	---	---	---	---	1737-207	---	3993	21634	
6490-200	UK	040	1/8" BSP	Foot	52080-200	X	SK225-01	6496	1210-0001	SP2701-21	SP1003-09	490	SP1003-01	---	---	---	---	1737-24-01	---	3993	6494-200	
6490-210	UK	040	1/8" BSP	Foot	52080-210	X	SK225-01	6496	1210-0001	SP2701-21	SP1003-09	490	SP1003-01	---	---	---	---	1737-207	---	3993	6494-200	
6490-222	UK	040	1/8" BSP	Foot	52080-222	X	SK225-01	6496	1210-0001	SP2701-21	SP1003-09	490	SP1003-01	---	---	---	---	1737-207	---	3993	6494-200	
6490-223	UK	040	1/8" BSP	Foot	52080-223	X	SK225-01	6496	1210-0001	SP2701-21	SP1003-09	490	SP1003-01	---	---	---	---	1737-207	---	3993	6494-200	
6490-224	UK	040	1/8" BSP	Foot	52080-224	X	SK225-01	6496	1210-0001	SP2701-21	SP1003-09	10336	SP1003-09	---	---	---	---	1737-207	---	3993	6494-200	
6490-225	UK	040	1/8" BSP	Foot	52080-225	X	SK225-01	6496	1210-0001	SP2701-21	SP1003-09	10336	SP1003-09	---	---	---	---	1737-207	---	3993	6494-200	
6490-231	UK	040	1/8" BSP	Foot	52080-231	X	SK225-01	6496	1210-0001	SP2701-21	SP1003-09	10336	SP1003-09	---	---	---	---	1737-207	---	3993	6494-200	
6490-232F	UK	040	1/8" BSP	Foot	52080-232F	X	SK119	6496	3085-0001	SP6800-08	SP1003-09	490	SP1003-01	---	---	---	---	1737-207	---	3993	6494-200	
6490-241	UK	040	1/2" BSP	Foot	52080-241	X	SK225-01	Use 23299 Kit To Upgrade to 6490-222														
6490-246	UK	040	1/2" BSP	Foot	52080-246	X	SK225-01	Use 23299 Kit To Upgrade to 6490-224														
6490-252	UK	040	1/2" BSP	Foot	52080-252	X	SK225-01	Use 23299 Kit To Upgrade to 6490-222														
6490-253	UK	040	1/2" BSP	Foot	52080-253	X	SK225-01	Use 23298 Kit To Upgrade to 6490-223														
6490-254	UK	040	1/2" BSP	Foot	52080-254	X	SK225-01	Use 23298 Kit To Upgrade to 6490-223														
6490-255	UK	040	1/2" BSP	Foot	52080-255	X	SK225-01	Use 23299 Kit To Upgrade to 6490-225														
6490-2901	UK	040	1"BSP	Foot	51080-2901	X	SK236	890	17937-0001	SP2701-21	SP1003-09	934	SP1004-09	---	---	---	---	1737-207	---	3993	6494-200	
6520-200	UK	080	1"BSP	Foot	51080-200	X	SK236	890	17937-0001	SP2701-21	SP1003-09	934	SP1004-09	SP2700-48	SP2600-06	---	---	6718-201	4156	3993	6424-2200	
6520-2003	UK	080	1"BSP	Foot	51080-2003	X	SK385-0403	890	17937-0003	SP2700-1027	SP1003-09	934	SP1004-09	SP2700-48	SP2600-06	---	---	6718-201	4156	3993	6424-2200	
6520-205	UK	080	1"BSP	Foot	51080-205	X	SK236	890	17937-0001	SP2701-21	SP1003-09	2431	SP1004-10	SP2700-48	SP2600-06	---	---	6718-201	4156	3993	6424-2200	
6520-237	UK	080	1"BSP	Foot	51080-237	X	SK235-37	890	17937-0003	SP2701-21	SP1003-09	934	SP1004-09	SP2700-48	SP2600-06	---	---	6718-201	4156	3993	6424-2200	
6520-251	UK	080	1"BSP	Foot	51080-251	X	SK236	890	17937-0001	SP2701-21	SP1003-09	2431	SP1004-10	SP2700-48	SP2600-06	---	---	6718-201	4156	3993	6424-2200	
6520-51	UK	080	1"BSP	Foot	51080-51	X	SK236	890	17937-0001	SP2701-21	SP1003-09	934	SP1004-09	SP2700-48	SP2600-06	---	---	6718-201	4156	3993	6424-2200	
6540-200	UK	020	3/8" BSP	Foot	52080-200	X	SK205	2995-0030	673-0001	B22	SP1002-01	2907-0001	SP1002-02	---	---	---	---	6547	---	3992	6544-200	
6540-201	UK	020	3/8" BSP	Foot	52080-201	X	SK205-01	2995-0030	673-0001	B22	SP8019-01	2907-0001	SP1002-02	---	---	---	---	6547	---	3992	6544-200	
6540-211	UK	020	3/8" BSP	Foot	52080-211	X	SK205-01	2995-0030	673-0001	B22	SP8019-01	2907-0001	SP1002-02	---	---	---	---	6547	---	3992	6544-200	
6590-0001	USA	200	1/4"NPT	Foot	90062-0001	X	90062-0001	816-0000	17935-0001	6407-0010	91005-0040	834-0001	91005-0040	817-0000	92600-0040	---	---	824-0000	2574-0000	12062-0000	6594-0000	
6590-0003	USA	200	1/4"NPT	Foot	90062-0003	X	90062-0003	816-0000	836-0003	6407-0010	91005-0040	834-0001	91005-0040	817-0000	92600-0040	---	---	824-0000	2574-0000	12062-0000	6594-0000	
6590-0004	USA	200	1/4"NPT	Foot	90062-0004	X	90062-0004	816-0000	17935-0001	6407-0010	91005-0040	834-0001	91005-0040	817-0000	92600-0040	---	---	824-0000	2574-0000	12062-0000	6594-0000	



**Service Parts -** Flexible Impeller Pumps Spares by Pump Model **6420-0101 to 6590-0005**

# Service Parts -

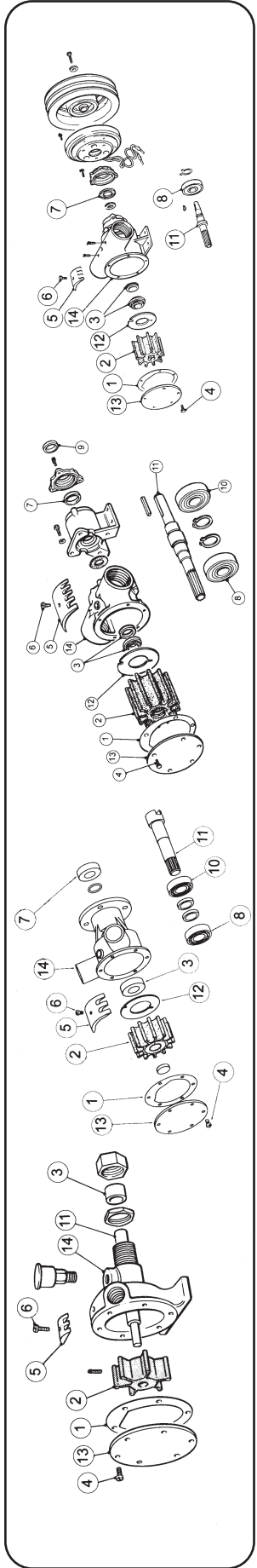
Flexible Impeller Pumps Spares by  
 Pump Model **6590-200 to 9380**

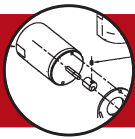
11

www.jabasco.com

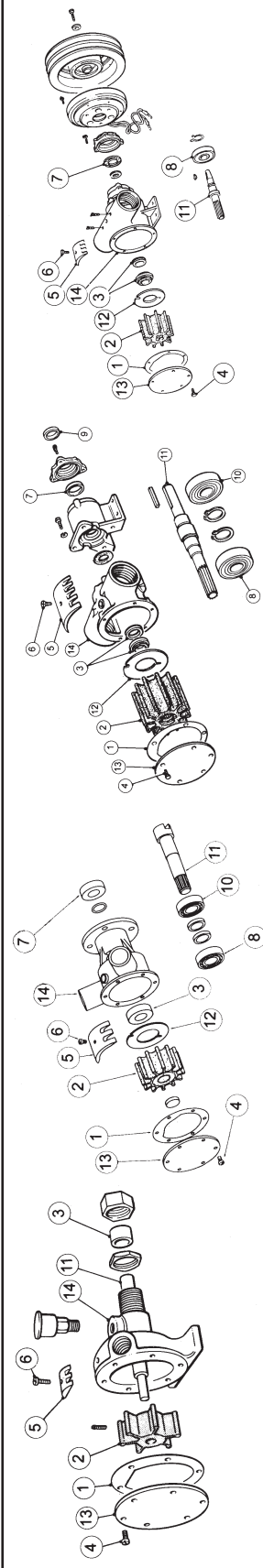
JABSCO

JABSCO PUMP DETAILS				SERVICE KIT DETAILS				GENERAL PARTS LISTING														
Pump Number	Origin	Pump Size	Port Type	Mount type	Alternate Part No	Kit Number	Key	Gasket/ O Ring	Impeller	Water Seal	End Cover Screws	Cam	Cam Screw	Pump End Oil Seal	Pump End Bearing	Drive End Oil Seal	Drive End Bearing	Shaft	Wearplate	Endcover	Body	
				Obsolete																		* OEM supply only
6590-0005	USA	200	1/4"NPT	Foot		90062-0003		816-0000	836-0001	6407-0010	91005-0040	834-0001	91005-0040	817-0000	92600-0040	817-0000	92600-0040	824-0000	2574-0000	12062-0000	6594-0000	
6590-200	UK	200	1/4"BSP	Foot	x	SK230		816	836-0001	21849	SP1005-04	834	SP1005-04	SP2700-50	SP2600-04	SP2600-04	9527-0001	9527-0001	2574	9336	6594-200	
6590-237	UK	200	1/2"BSP	Foot	x	SK230-37		816	836-0003	21849	SP1005-04	834	SP1005-04	SP2700-50	SP2600-04	SP2600-04	9527-0001	9527-0001	2574	9336	6594-200	
6640-200	UK	010	3/8"BSP	Foot	x	SK23		1189	4528-0001	SP2701-14	SP1002-01	2763	SP1002-01	SP2700-62	SP2600-04	SP2600-04	1053	1053	2765	9566	6644-200	
6640-205	UK	010	3/8"BSP	Foot	x	SK23		1189	4528-0001	SP2701-14	SP1002-01	21233	SP1002-01	SP2700-62	SP2600-04	SP2600-04	1053	1053	2765	6645-105	6644-200	
6710	UK	020	1/2"BSP	Flange	x	SK241		2995-0030	673-0001	SP2701-04	SP1002-09	4454	SP1002-02	---	---	---	6717	6717	4466	3992	4764-41	
6980-0001	USA	270	2" Flanged	Flange		90065-0001		816-0000	17936-0001	6408-0000	91005-0040	6988-0000	91005-0040	817-0000	92600-0320	817-0000	92600-0320	6987-0000	2574-0000	12062-0000	6594-200	
6980-0002	USA	270	2" Flanged	Flange		90065-0001		816-0000	17936-0001	6408-0000	91005-0040	6988-0000	91005-0040	817-0000	92600-0320	817-0000	92600-0320	6987-0000	2574-0000	12062-0000	6594-200	
6980-0003	USA	270	2" Flanged	Flange		90065-0001		816-0000	17936-0001	6408-0000	91005-0040	6988-0000	91005-0040	817-0000	92600-0320	817-0000	92600-0320	6987-0000	2574-0000	12062-0000	6594-200	
6980-0004	USA	270	2" Flanged	Flange		90065-0001		816-0000	17936-0001	6408-0000	91005-0040	6988-0000	91005-0040	817-0000	92600-0320	817-0000	92600-0320	6987-0000	2574-0000	12062-0000	6594-200	
6980-0005	USA	270	2" Flanged	Flange		90065-0001		816-0000	17936-0001	6408-0000	91005-0040	6988-0000	91005-0040	817-0000	92600-0320	817-0000	92600-0320	6987-0000	2574-0000	12062-0000	6594-200	
6980-0006	USA	270	2" Flanged	Flange		90065-0001		816-0000	17936-0001	6408-0000	91005-0040	6988-0000	91005-0040	817-0000	92600-0320	817-0000	92600-0320	6987-0000	2574-0000	12062-0000	6594-200	
6980-0011	USA	270	2" Flanged	Flange		90065-0001		816-0000	17936-0001	6408-0000	91005-0040	6988-0000	91005-0040	817-0000	92600-0320	817-0000	92600-0320	6987-0000	2574-0000	12062-0000	6594-200	
6980-0411	USA	270	2" Flanged	Flange		90065-0001		816-0000	17936-0001	6408-0000	91005-0040	6988-0000	91005-0040	817-0000	92600-0320	817-0000	92600-0320	6987-0000	2574-0000	12062-0000	6594-200	
6980-3000	USA	270	2" Flanged	Flange		90065-0001		816-0000	17936-0001	6408-0000	91005-0040	6988-0000	91005-0040	817-0000	92600-0320	817-0000	92600-0320	6987-0000	2574-0000	12062-0000	6594-200	
7120-9001	USA	040	1/4" Hose	Flange		90111-0001		3298-0000	1210-0001	96080-0080	91002-0020	7607-0000	91003-0010	913-0000	92600-0060	913-0000	92600-0060	7127-0000	7607-0000	11830-0000	7424-0000	
7260-0001	USA	080	1/4" Flanged	Flange		90111-0001		3298-0000	1210-0001	96080-0080	91002-0020	7607-0000	91003-0010	913-0000	92600-0060	913-0000	92600-0060	7127-0000	7607-0000	11830-0000	7424-0000	
7320-9001	USA	040	1/4" Hose	Flange		90111-0001		3298-0000	1210-0001	96080-0080	91002-0020	7607-0000	91003-0010	913-0000	92600-0060	913-0000	92600-0060	7127-0000	7607-0000	11830-0000	7424-0000	
7420-0004	UK	200	1/4"NPT	Foot		SK375-0101		816	17935-0001	21849	SP1005-04	834	SP1005-04	817	SP2600-04	818	824	824	2574	7425	7424	
7420-0004	USA	200	1/4"NPT	Foot	x	7420-0101		816	17935-0001	21849	SP1005-04	834	SP1005-04	817	SP2600-04	818	824	824	2574	7425	7424	
7420-0101	USA	200	1/4"NPT	Foot		90062-0001		816	17935-0001	21849	SP1005-04	834	SP1005-04	817	SP2600-04	818	824	824	2574	7425	7424	
7420-1001	USA	200	1/4"NPT	Foot		90062-0000		816-0000	17935-0001	6408-0000	91005-0040	834-0001	91005-0040	817-0000	92600-0040	818-0000	824-0020	824-0020	2574-0000	12062-0000	7424-0000	
7420-1001	USA	200	1/4"NPT	Foot		90062-0000		816-0000	17935-0001	6407-0010	91005-0040	834-0001	91005-0040	817-0000	92600-0040	818-0000	824-0020	824-0020	2574-0000	12062-0000	7424-0000	
7870-200	UK	200	1/2"BSP	Foot	x	SK230		816	836-0001	21849	SP1005-04	834	SP1005-04	SP2700-50	SP2600-04	SP2600-04	9527-0001	9527-0001	2574	9336	6594-200	
7870-201	UK	200	1/2"BSP	Foot	x	SK230		816	836-0001	21849	SP1005-04	834	SP1005-04	SP2700-50	SP2600-04	SP2600-04	9527-0001	9527-0001	2574	9336	6594-200	
7870-221	UK	200	1/2"BSP	Foot	x	SK230		816	836-0001	21849	SP1005-04	834	SP1005-04	SP2700-50	SP2600-04	SP2600-04	9527-0001	9527-0001	2574	9336	6594-200	
7870-231	UK	200	1/2"BSP	Foot	x	SK230		816	836-0001	21849	SP1005-04	834	SP1005-04	SP2700-50	SP2600-04	SP2600-04	9527-0001	9527-0001	2574	9336	6594-200	
8150-0211	USA	080	2" Flanged	Foot	x	SK230		7478-6000	17935-0001	6408-0000	91045-0420	7486-0010	91012-0020	917-0000	92600-0040	92700-0740	92600-0040	Proprietary	7476-0000	12073-0010	6594-200	
8170-9001	USA	080	1/2"NPT	Flange		90118-0001		3101-0000	17937-0001	96080-0080	91003-0010	3255-0000	91004-0110	913-0000	92600-0060	913-0000	92600-0060	Obsolete	4156-0000	11831-0000	Proprietary	
8470-0711	USA	080	1/2" Hose	Flange		90177-0001		8509-0001	3085-0001	96080-0080	91003-0010	8528-0000	91003-0010	93000-0090	92600-0350	93000-0090	92600-0350	Obsolete	8493-0000	12065-0000	Proprietary	
8470-0911	USA	080	1/2" Hose	Flange		90177-0001		8509-0001	3085-0001	96080-0080	91003-0010	8528-0000	91003-0010	93000-0090	92600-0350	93000-0090	92600-0350	Obsolete	8493-0000	12065-0000	Proprietary	
8740F	USA	040	Dual 1/2" Hose	Flange		8444-0001(2)		8444-0001(2)	8444-0001(2)	96080-0080	91003-0010	6148	SP1002-01	---	---	---	---	---	---	---	---	Obsolete
8830-0701	USA	080	1" Hose	Flange		90177-0121		8641-0000	3085-0001	92700-0060	91026-0010	8528-0000	91030-0110	93000-0070	92600-0070	93000-0070	92600-0070	Obsolete	8493-0000	12065-0000	Obsolete	
8830-0711	USA	080	1" Hose	Flange		90177-0121		8641-0000	3085-0001	92700-0060	91026-0010	8528-0000	91030-0110	93000-0070	92600-0070	93000-0070	92600-0070	Obsolete	8493-0000	12065-0000	Obsolete	
8850-0001	USA	005	1 1/2" Flanged	Flange		90092-0007		7828-0000	14750-0001	93000-0100	91026-0010	8528-0000	91030-0110	93000-0070	92600-0070	93000-0070	92600-0070	Obsolete	8493-0000	12065-0000	Obsolete	
8950-0001	USA	200	1 1/2" Flanged	Flange		SK92-11		816-0000	14609-0001	6408-0000	91095-0060	834-0001	91005-0040	694-0000	92600-0040	694-0000	92600-0040	8957-0000	2574-0000	12062-0000	8954-0000	
9040-0511	UK	005	1/2" Hose	Flange		SK92-11		7828-01	14609-0001	SP2000-10	SP1002-01	8089	SP1002-01	---	---	---	---	---	---	---	9044	
9360	UK	010	1/4"BSP	Foot	x	SK233		1126	4528-0001	AL22	SP8019-01	ALB-01	SP1002-02	---	---	---	---	AL10	---	AL6-200	AL6-200	





JABSCO PUMP DETAILS			SERVICE KIT DETAILS				GENERAL PARTS LISTING																
Pump Number	Origin	Pump Size	Port Type	Mount Type	Alternate Part No	Kit Number	Key	Gasket/ O Ring	1	2	3	4	5	6	7	8	9	10	11	12	13	Body	
																							Kit supply only
9380	UK	040	3/4" BSP	Flange	X	SK33	3298	1210-0001	SP2701-21	SP1002-02	SP1002-02	3269	SP1003-01	SP2701-21	SP2600-13	SP2600-13	---	5857	3266	3991	3374-200		
9400	UK	020	Ø 16 Hose	Flange	X	SK211	10817	673-0001	SP2701-04	SP1002-09	SP1002-09	2907-0001	SP1002-09	SP1002-09	---	---	---	9407	---	9406	9404		
9400-01	UK	020	Ø 16 Hose	Flange	X	SK211	10817	673-0001	SP2701-04	SP1002-09	SP1002-09	2907-0001	SP1002-09	SP1002-09	---	---	---	9407	---	9406-01	9404-01		
9400-200	UK	020	2" BSP	Foot	X	SK211	10817	673-0001	SP2701-04	SP1002-09	SP1002-09	2907-0001	SP1002-09	SP1002-09	---	---	---	9407	---	9406-01	9404-01		
9430	UK	010	1/4" BSP	Flange	X	SK221	1126	4528-0001	SP2701-09	SP1002-01	SP1002-01	AL8	SP1002-09	SP2701-09	---	---	---	9436	---	AL6-200	4784		
9430-01	UK	010	1/4" BSP	Flange	X	SK221	1126	4528-0001	SP2701-09	SP1002-01	SP1002-01	AL8	SP1002-09	SP2701-09	---	---	---	10303	---	AL6-200	10302		
9430-21	UK	010	1/4" BSP	Flange	X	SK221	1126	4528-0001	SP2701-09	SP1002-01	SP1002-01	AL8	SP1002-09	SP2701-09	---	---	---	10467	---	AL6-200	4784		
9430-211	UK	010	1/4" BSP	Flange	X	SK221	1126	4528-0001	SP2701-09	SP1002-01	SP1002-01	AL8	SP1002-09	SP2701-09	---	---	---	22287	---	AL6-200	4784		
9430-51	UK	010	1/4" BSP	Flange	X	SK221	1126	4528-0001	SP2701-09	SP1002-01	SP1002-01	AL8-01	SP1002-09	SP2701-09	---	---	---	9436	---	AL6-200	4784		
9440-200	UK	500	2" BSP	Foot	X	SK207	3209	2999-0001	9309	SP1006-05	SP1006-05	9446	SP1006-05	SP2700-58	SP2700-58	SP2700-58	3207	9316	9448	9444	9566	9564	
9480-01	UK	500	2" BSP	Foot	X	SK29	3209	2999-0001	3222	SP1006-05	SP1006-05	9446	SP1006-05	SP2700-58	SP2700-58	SP2700-58	3207	9316	9448	9444	9566	9564	
9560	UK	010	3/8" BSP	Flange	U	SK23	1189	4528-0001	SP2701-14	SP1002-01	SP1002-01	2763	SP1002-03	---	---	---	Contact Man.	2765	9566	9566	9566	9564	
9700	UK	080	1" Flanged	Flange	X	SK238	890	17937-0001	22645-0000	SP1003-01	SP1003-01	2431	SP1004-11	SP2700-48	SP2700-48	SP2700-48	9707	4156	3993	3993	9704-01	9704-01	
9700-01	UK	080	1" Flanged	Flange	X	SK238	890	17937-0001	22645-0000	SP1003-01	SP1003-01	2431	SP1004-11	SP2700-48	SP2700-48	SP2700-48	9707	4156	3993	3993	9704-01	9704-01	
9700-04	UK	080	1" Flanged	Flange	X	SK238-01	3101	17937-0001	22645-0000	SP1003-01	SP1003-01	3255	SP1004-11	SP2700-48	SP2700-48	SP2700-48	9707	4156	3993	3993	9704-01	9704-01	
9700-05	UK	080	1" Flanged	Flange	X	SK238-21	2432	17937-0001	22645-0000	SP1003-01	SP1003-01	2431	SP1004-10	SP2700-48	SP2700-48	SP2700-48	9707	4156	3993	3993	9704-01	9704-01	
9700-101	UK	080	1" BSP	Flange	X	SK238	890	17937-0001	22645-0000	SP1003-01	SP1003-01	934	SP1004-09	SP2700-48	SP2700-48	SP2700-48	9707-31	4156	3993	3993	9704-01	9704-01	
9700-131	UK	080	1" Flanged	Flange	X	SK238	890	17937-0001	22645-0000	SP1003-01	SP1003-01	934	SP1004-09	SP2700-48	SP2700-48	SP2700-48	9707-31	4156	3993	3993	9704-01	9704-01	
9700-132	UK	080	1" Flanged	Flange	X	SK238	890	17937-0001	22645-0000	SP1003-01	SP1003-01	934	SP1004-09	SP2700-48	SP2700-48	SP2700-48	9707-31	4156	3993	3993	9704-01	9704-01	
9700-141	UK	080	1" Flanged	Flange	X	SK238	890	17937-0001	22645-0000	SP1003-01	SP1003-01	3255	SP1004-11	SP2700-48	SP2700-48	SP2700-48	9707	4156	3993	3993	9704-01	9704-01	
9700-151	UK	080	1" Flanged	Flange	X	SK238-01	3101	17937-0001	22645-0000	SP1003-01	SP1003-01	3255	SP1004-11	SP2700-48	SP2700-48	SP2700-48	9707	4156	3993	3993	9704-01	9704-01	
9700-162	UK	080	1" Flanged	Flange	X	SK238	890	17937-0001	22645-0000	SP1003-01	SP1003-01	934	SP1004-09	SP2700-48	SP2700-48	SP2700-48	21635-0010	4156	3993	3993	9704-01	9704-01	
9700-171	UK	080	1" Flanged	Flange	X	SK238	890	17937-0001	22645-0000	SP1003-01	SP1003-01	3255	SP1004-11	SP2700-48	SP2700-48	SP2700-48	9707	4156	3993	3993	9704-01	9704-01	
9700-181	UK	080	1" Flanged	Flange	X	SK238	890	17937-0001	22645-0000	SP1003-01	SP1003-01	934	SP1004-09	SP2700-48	SP2700-48	SP2700-48	9707	4156	3993	3993	9704-01	9704-01	
9700-21	UK	080	1" Flanged	Flange	X	SK238	890	17937-0001	22645-0000	SP1003-01	SP1003-01	934	SP1004-09	SP2700-48	SP2700-48	SP2700-48	9707	4156	3993	3993	9704-01	9704-01	
9700-241	UK	080	3/4" BSP	Flange	X	SK238	890	17937-0001	22645-0000	SP1003-01	SP1003-01	2431	SP1004-10	SP2700-48	SP2700-48	SP2700-48	9707	4156	3993	3993	9704-01	9704-01	
9700-41	UK	080	1" Flanged	Flange	X	SK238-21	2432	17937-0001	22645-0000	SP1003-01	SP1003-01	934	SP1004-09	SP2700-48	SP2700-48	SP2700-48	9707-01	4156	3993	3993	9704-01	9704-01	
9700-51	UK	080	1" Flanged	Flange	X	SK238	890	17937-0001	22645-0000	SP1003-01	SP1003-01	3255	SP1004-11	SP2700-48	SP2700-48	SP2700-48	9707	4156	3993	3993	9704-01	9704-01	
9700-61	UK	080	1" Flanged	Flange	X	SK238	890	17937-0001	22645-0000	SP1003-01	SP1003-01	934	SP1004-09	SP2700-48	SP2700-48	SP2700-48	9707	4156	3993	3993	9704-01	9704-01	
9700-71	UK	080	1" Flanged	Flange	X	SK238	890	17937-0001	22645-0000	SP1003-01	SP1003-01	934	SP1004-09	SP2700-48	SP2700-48	SP2700-48	9707	4156	3993	3993	9704-01	9704-01	
9710	UK	080	1" NPT	Foot	X	SK229	890	17937-0001	22617-0010	SP1003-09	SP1003-09	934	SP1004-09	SP2700-47	SP2700-47	SP2700-47	9717	4156	3993	3993	10329-200	10329-200	
9710-200	UK	080	1" BSP	Foot	X	SK229	890	17937-0001	22617-0010	SP1003-09	SP1003-09	934	SP1004-09	SP2700-47	SP2700-47	SP2700-47	9717	4156	3993	3993	10329-200	10329-200	
9710-201	UK	080	1" BSP	Foot	X	SK229	890	17937-0001	22617-0010	SP1003-09	SP1003-09	3255	SP1004-11	SP2700-47	SP2700-47	SP2700-47	9717	4156	3993	3993	10329-200	10329-200	
9710-204	UK	080	1" BSP	Foot	X	SK229	890	17937-0001	22617-0010	SP1003-09	SP1003-09	3255	SP1004-11	SP2700-47	SP2700-47	SP2700-47	9717	4156	3993	3993	10329-200	10329-200	
9710-205	UK	080	1" BSP	Foot	X	SK229-01	2432	17937-0001	22617-0010	SP1003-09	SP1003-09	2431	SP1004-10	SP2700-47	SP2700-47	SP2700-47	9717	4156	3993	3993	10329-200	10329-200	
9710-210	UK	080	1" BSP	Foot	X	SK229	890	17937-0001	22617-0010	SP1003-09	SP1003-09	3255	SP1004-11	SP2700-47	SP2700-47	SP2700-47	9717	4156	3993	3993	10329-200	10329-200	
9730	UK	080	Ø 32 Hose	Flange	X	SK269	890-01	17937-0001	22626-0000	SP1003-09	SP1003-09	890	SP1004-09	SP2700-07	SP2700-07	SP2700-07	9737	4156	3993	3993	9734	9734	
9750	UK	080	Ø 32 Hose	Flange	X	SK269	890-01	17937-0001	22626-0000	SP1003-09	SP1003-09	3255	SP1004-11	SP2700-07	SP2700-07	SP2700-07	9757	4156	3993	3993	9754	9754	
9760	UK	080	Ø 32 Hose	Flange	X	SK269	890-01	17937-0001	22626-0000	SP1003-09	SP1003-09	890	SP1004-11	SP2700-07	SP2700-07	SP2700-07	9767	4156	3993	3993	9754	9754	
9770-200	UK	080	3/4" BSP	Barrel	X	SK229	890	17937-0001	22626-0000	SP1003-09	SP1003-09	934	SP1004-09	SP2700-47	SP2700-47	SP2700-47	9777	4156	3993	3993	9774	9774	
9770-205	UK	080	3/4" BSP	Barrel	X	SK229	890	17937-0001	22626-0000	SP1003-09	SP1003-09	2431	SP1004-10	SP2700-47	SP2700-47	SP2700-47	9777	4156	3993	3993	9774	9774	



Flexible Impeller Pumps Spares by Pump Model **9400 to 9900**

# Service Parts -



# Service Parts -

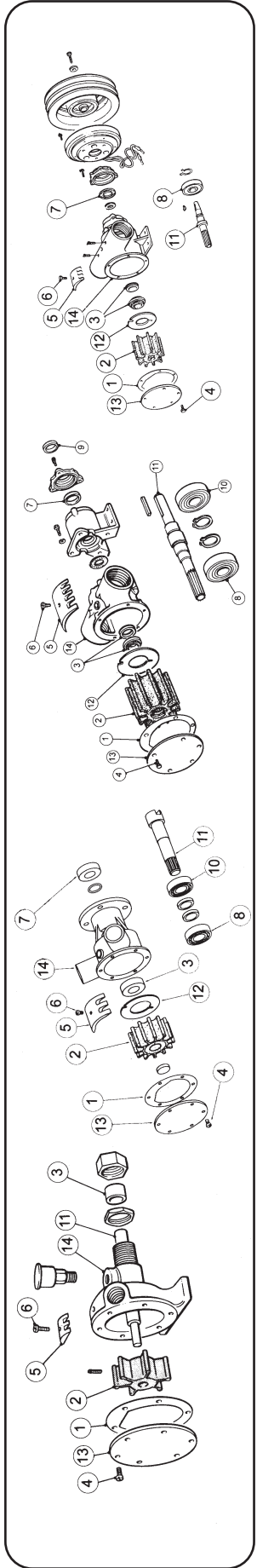
Flexible Impeller Pumps Spares by  
Pump Model **9900-0001 to 10590-21**

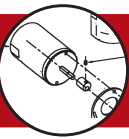
11

www.jabasco.com

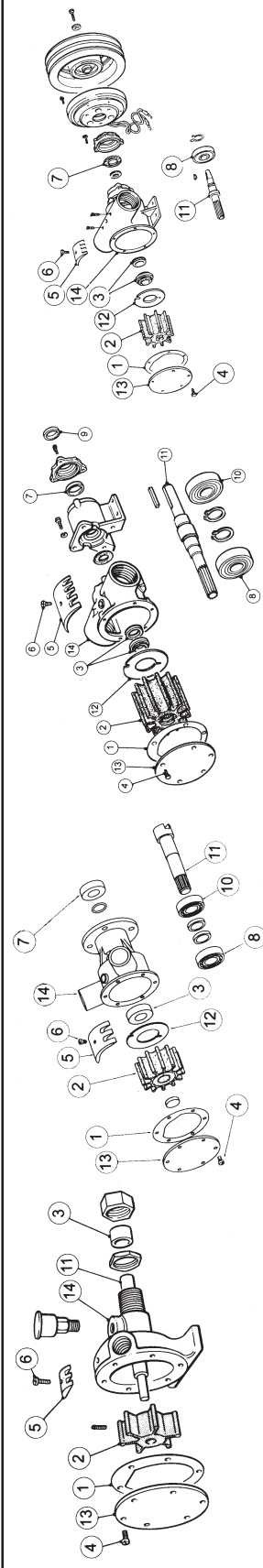
JABSCO

JABSCO PUMP DETAILS				SERVICE KIT DETAILS				GENERAL PARTS LISTING													
Pump Number	Origin	Pump Size	Port Type	Mount Type	Alternate Part No	Kit Number	Gasket/O Ring	Impeller	Water Seal	End Cover Screws	Cam	Cam Screw	Pump End Oil Seal	Pump End Bearing	Drive End Oil Seal	Drive End Bearing	Shaft	Wearplate	Endcover	Body	
						Key															* OEM supply only
9900	UK	020	Ø 16 Hose	Foot	x 29470-2231C	SK211	10817	673-0001	SP2701-04	SP1002-09	10818	SP1002-02	---	---	---	---	9907	---	9905	9904	
9900-0001	USA	020	3/8"Hose	Flange		90211-0001	10187-0000	18673-0001	92701-0040	91002-0090	10818-0000	91002-0020	---	---	---	---	9907-0000	---	9905-0000	9904-0000	
9970-200	UK	040	3/8"BSP	Flange		SK229	3298	1210-0001	22617-0010	SP1002-02	490	SP1003-01	SP2600-13	SP2600-13	SP2600-13	SP2600-13	9977	7883	3992	9974-200	
9970-204	UK	040	3/8"BSP	Flange		SK239	3298	1210-0001	22617-0010	SP1002-02	10336	SP1003-09	SP2600-13	SP2600-13	SP2600-13	SP2600-13	9977	7883	3992	9974-200	
9970-241	UK	040	3/8"BSP	Flange	Direct Cooling	SK241	3298	1210-0001	22617-0010	SP1002-02	490	SP1003-01	SP2600-13	SP2600-13	SP2600-13	SP2600-13	10374	7883	3992	9974-200	
9970-241-37	UK	040	3/8"BSP	Flange		SK239-37	3298	1210-0003	22617-0010	SP1002-02	490	SP1003-01	SP2600-13	SP2600-13	SP2600-13	SP2600-13	10374	7883	3992	9974-200	
9970-251	UK	040	3/8"BSP	Flange	x 9970-241	SK239	3298	1210-0001	22617-0010	SP1002-02	10336	SP1003-09	SP2600-13	SP2600-13	SP2600-13	SP2600-13	10374	7883	3992	9974-200	
9970-261	UK	040	3/8"BSP	Flange		SK239	3298	1210-0001	22617-0010	SP1002-02	490	SP1003-01	SP2600-13	SP2600-13	SP2600-13	SP2600-13	9977-21	7883	3992	9974-201	
9970-271	UK	040	3/8"BSP	Flange	x 9970-200	SK239	3298	1210-0001	22617-0010	SP1002-02	10336	SP1003-09	SP2600-13	SP2600-13	SP2600-13	SP2600-13	9977-21	7883	3992	9974-223	
9990-200	UK	040	3/8"BSP	Flange		SK239	3298	1210-0001	22617-0010	SP1002-02	490	SP1003-01	SP2600-13	SP2600-13	SP2600-13	SP2600-13	9977	7883	3992	9974-223	
9990-201	UK	040	3/8"NPT	Barrel	x	SK239	3298	1210-0001	22617-0010	SP1002-02	490	SP1003-01	SP2601-39	SP2601-39	SP2601-39	SP2601-39	10417	7883	3992	9974-200	
9990-21	UK	040	3/8"NPT	Barrel	x	SK239	3298	1210-0001	22617-0010	SP1002-02	490	SP1003-01	SP2601-39	SP2601-39	SP2601-39	SP2601-39	10417	7883	3992	9974-200	
9990-201	UK	040	3/8"NPT	Barrel	x	SK268	3298	1210-0001	22617-0010	SP1002-02	490	SP1003-01	SP2701-15	SP2701-15	SP2701-15	SP2701-15	9997	9936	3992	9994-21	
9990-41	UK	040	3/8"NPT	Barrel	x	SK268	3298	1210-0001	22617-0010	SP1002-02	490	SP1003-01	SP2701-15	SP2701-15	SP2701-15	SP2701-15	9997-01	7883	3992	9994-21	
10170-0011	USA	040	1" Hose	Flange		90133-0001	10183-0000	1210-0001	96080-0080	91003-0020	490-0000	91003-0070	92700-0480	92700-0060	92701-0160	---	---	Obsolote	Obsolote	Obsolote	
10170-0011	USA	080	1-1/8"Hose	Flange		10184-0000	10184-0000	11979-0001	---	---	10182-0000	91004-0090	---	---	---	---	---	---	---	---	
Dual 10190-0011	USA	040	1" Hose	Flange		90134-0001	10183-0000	1210-0001	96080-0080	91003-0020	490-0000	91003-0070	92700-0480	92700-0060	92701-0160	---	---	10197-0000	10179-0000	Obsolote	
10190-0011	USA	040	1" Hose	Flange		---	---	3085-0001	---	---	---	---	---	---	---	---	---	---	---	---	
Dual 10420	UK	020	Ø 16 Hose	Flange	x 29490-2001C	SK211	10817	673-0001	SP2701-04	SP1002-09	2907-0001	SP1002-09	---	---	---	---	10427	---	9905	10424	
10490	UK	270	2" Flanged	Foot	x 52270-0011	SK254	816	21676-0001	21849	SP1005-04	6988	SP1005-04	SP2701-54	SP2700-49	SP2700-49	SP2700-49	11254-01	2574	9936	10494	
10490-0201	UK	270	2" Flanged	Foot	x 50270-0911	SK254	816	21676-0001	21849	SP1005-04	6988	SP1005-04	SP2701-54	SP2700-49	SP2700-49	SP2700-49	11254-01	2574	9936	10494-03	
10490-07	UK	270	2" Flanged	Foot	x 52270-0011	SK254	816	21676-0001	21849	SP1005-04	6988	SP1005-04	SP2701-54	SP2700-49	SP2700-49	SP2700-49	11254-01	2574	9936	10494	
10490-207	UK	270	2" Flanged	Foot	x 52270-0011	SK254	816	21676-0001	21849	SP1005-04	6988	SP1005-04	SP2701-54	SP2700-49	SP2700-49	SP2700-49	11254-01	2574	9936	10494	
10550-01	UK	040	3/8"NPT	Foot	x	SK239	3298	1210-0001	22626-0000	SP1002-02	10336	SP1003-09	SP2601-37	SP2601-37	SP2601-37	SP2601-37	10417	7883	3992	10554	
10550-200	UK	040	3/8"BSP	Foot	x	SK239	3298	1210-0001	22626-0000	SP1002-02	490	SP1003-01	SP2601-39	SP2601-39	SP2601-39	SP2601-39	10417	7883	3992	10554	
10550-205	UK	040	3/8"BSP	Foot	x	SK239	3298	1210-0001	22626-0000	SP1002-02	10336	SP1003-09	SP2601-39	SP2601-39	SP2601-39	SP2601-39	10417	7883	3992	10554	
10550-2701	UK	040	3/8"BSP	Foot	x	SK239	3298	1210-0001	22626-0000	SP1002-02	490	SP1003-01	SP2601-39	SP2601-39	SP2601-39	SP2601-39	10417	7883	3992	10554	
10590	UK	270	2" Flanged	Flange	x 10590-22	SK254	816	21676-0001	21849	SP1005-04	6988	SP1005-04	SP2701-54	SP2701-54	SP2701-54	SP2701-54	11258-01	2574	9336	10494	
10590-0031	UK	270	2" Flanged	Flange		SK254	816	17936-0001	21849	SP1005-04	22039	SP1005-05	SP2701-54	SP2701-54	SP2701-54	SP2701-54	11256-01	2574	9336	10494	
10590-0041	UK	270	2" Flanged	Flange		SK254	816	21676-0001	21849	SP1005-04	22268	SP1005-05	SP2701-54	SP2701-54	SP2701-54	SP2701-54	11258-01	2574	9336	10494	
10590-011	UK	270	2" Flanged	Flange	x	SK254	816	21676-0001	21849	SP1005-04	6988	SP1003-09	SP2701-54	SP2701-54	SP2701-54	SP2701-54	10417	7883	3992	10494	
10590-0141	UK	270	2" Flanged	Flange	x	SK254	816	17936-0001	21849	SP1095-0640	6988	SP1005-04	SP2601-0458	SP2601-0458	SP2601-0458	SP2601-0458	11258-01	2574	9336	10494	
10590-0201	UK	270	2" Flanged	Flange	x	SK254	816	21676-0001	21849	SP1005-04	22268	SP1005-05	SP2701-54	SP2701-54	SP2701-54	SP2701-54	11258-01	2574	9336	10494	
10590-0231	UK	270	2" Flanged	Flange		SK254	816	17936-0001	96080-0373	SP1005-04	22039	SP1005-04	SP2701-54	SP2701-54	SP2701-54	SP2701-54	11256-01	2574	10773	10494	
10590-0341	UK	270	2" Flanged	Flange		SK254	816	17936-0001	96080-0373	SP1095-0640	6988	SP1005-04	SP2701-54	SP2701-54	SP2701-54	SP2701-54	11256-01	2574	10773	10494	
10590-21	UK	270	2" Flanged	Flange	x 10590-22	SK254	816	21676-0001	21849	SP1005-04	6988	SP1005-04	SP2701-54	SP2701-54	SP2701-54	SP2701-54	11258-01	2574	9336	10494	





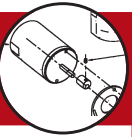
JABSCO PUMP DETAILS				SERVICE KIT DETAILS				GENERAL PARTS LISTING												
Pump Number	Origin	Pump Size	Port Type	Mount Type	Alternate Part No	Kit Number	Gasket/ O Ring	Impeller * OEM supply only	Water Seal	End Cover Screws	Cam	Cam Screw	Pump End Oil Seal	Pump End Bearing	Drive End Oil Seal	Drive End Bearing	Shaft	Wearplate	Endcover	Body * OEM supply only
						Key	1	2	3	4	5	6	7	8	9	10	11	12	13	14
10590-22	UK	270	2" Flanged	Flange	2 Pumps/Eng; 10590-62	SK254	816	21676-0001	21849	SP1005-04	6988	SP1005-04	SP2701-54	SP2601-37	---	SP2601-41	11258-01	2574	9336	10494
10590-61	UK	270	2" Flanged	Flange	x 10590-62	SK254	816	21676-0001	21849	SP1005-04	6988	SP1005-04	SP2701-54	SP2601-37	---	SP2601-41	11258-01	2574	9336	10494
10590-62	UK	270	2" Flanged	Flange	SK254	SK254	816	21676-0001	21849	SP1005-04	6988	SP1005-04	SP2701-54	SP2601-37	---	SP2601-41	11258-01	2574	9336	10494
10590-63	UK	270	2" Flanged	Flange	SK254	SK254	816	21676-0001	21849	SP1005-04	6988	SP1005-04	SP2701-54	SP2601-37	---	SP2601-41	11258-01	2574	9336	10494
10630	UK	200	1 1/2" Flanged	Foot	x 52220-0011	SK230	816	836-0001	21849	SP1005-04	834	SP1005-04	SP2700-49	SP2601-37	SP2700-49	SP2601-37	11254	2574	9336	10634
10630-01	UK	200	1 1/2" Flanged	Foot	x 52220-0011	SK230	816	836-0001	21849	SP1005-04	834	SP1005-04	SP2700-49	SP2601-37	SP2700-49	SP2601-37	11228-9000	2574	9336	10634
10630-07	UK	200	1 1/2" Flanged	Foot	x 52220-0011	SK230	816	836-0001	21849	SP1005-04	834	SP1005-04	SP2700-49	SP2601-37	SP2700-49	SP2601-37	11254	2574	9336	10634
10630-200	UK	200	1 1/2" Flanged	Foot	x 52220-0011	SK230	816	836-0001	21849	SP1005-04	834	SP1005-04	SP2700-49	SP2601-37	SP2700-49	SP2601-37	11254	2574	9336	10634
10630-57	UK	200	1 1/2" Flanged	Flange	x 52220-0011	SK230	816	836-0001	21849	SP1005-04	2551	SP1005-05	SP2700-49	SP2601-37	---	SP2601-37	11254	2574	9336	10634
10650	UK	200	1 1/2" Flanged	Foot	x 51220-0011	SK230	816	836-0001	21849	SP1005-04	834	SP1005-04	SP2700-49	SP2601-37	---	SP2601-37	10657-0020	2574	9336	10634
10650-200	UK	200	1 1/2" Flanged	Foot	x 51200-2011	SK230	816	836-0001	21849	SP1005-04	834	SP1005-04	SP2700-49	SP2601-37	---	SP2601-37	10657-0020	2574	9336	10634
10660	UK	270	2" Flanged	Foot	x 51270-0011	SK254	816	17936-0001	21849	SP1005-04	6988	SP1005-04	SP2601-37	SP2601-37	---	SP2600-09	10667-0030	2574	9336	10494
10660-200	UK	270	2" Flanged	Foot	x 51270-2011	SK254	816	17936-0001	21849	SP1005-04	6988	SP1005-04	SP2601-37	SP2601-37	---	SP2600-09	10667-0030	2574	9336	10494
10670	UK	200	1 1/2" Flanged	Foot	x 50220-0011	SK230-01	816	836-0001	21849	SP1005-04	834	SP1005-04	SP2701-54	SP2601-37	---	SP2601-37	10667-0020	2574	9336	10634-02
10670-01	UK	200	1 1/2" Flanged	Foot	x 50220-0111	SK230-01	816	836-0001	21849	SP1005-04	834	SP1005-04	SP2701-54	SP2601-37	---	SP2601-37	10667-0020	2574	9336	10634-02
10670-10	UK	200	1 1/2" Flanged	Foot	x 50220-0211	SK230-01	816	836-0001	21849	SP1005-04	834	SP1005-04	SP2701-54	SP2601-37	---	SP2601-37	10667-0020	2574	9336	10634-02
10670-11	UK	200	1 1/2" Flanged	Foot	x 50220-0311	SK230-01	816	836-0001	21849	SP1005-04	834	SP1005-04	SP2701-54	SP2601-37	---	SP2601-37	10667-0020	2574	9336	10634-02
10670-200	UK	200	1 1/2" Flanged	Foot	x 50200-2011	SK230-01	816	836-0001	21849	SP1005-04	834	SP1005-04	SP2701-54	SP2601-37	---	SP2601-37	10667-0020	2574	9336	10634-02
10670-201	UK	200	1 1/2" Flanged	Foot	x 50200-2111	SK230-01	816	836-0001	21849	SP1005-04	834	SP1005-04	SP2701-54	SP2601-37	---	SP2601-37	10667-0020	2574	9336	10634-02
10670-210	UK	200	1 1/2" Flanged	Foot	x 50200-2211	SK230-01	816	836-0001	21849	SP1005-04	834	SP1005-04	SP2701-54	SP2601-37	---	SP2601-37	10667-0020	2574	9336	10634-02
10670-211	UK	200	1 1/2" Flanged	Foot	x 50200-2311	SK230-01	816	836-0001	21849	SP1005-04	834	SP1005-04	SP2701-54	SP2601-37	---	SP2601-37	10667-0020	2574	9336	10494-01
10680	UK	270	2" Flanged	Foot	x 50270-0011	SK254	816	21676-0001	21849	SP1005-04	6988	SP1005-04	SP2701-54	SP2601-37	---	SP2600-09	10667-0030	2574	9336	10494-01
10680-10	UK	270	2" Flanged	Foot	x 50270-0211	SK254	816	21676-0001	21849	SP1005-04	6988	SP1005-04	SP2701-54	SP2601-37	---	SP2600-09	10667-0030	2574	9336	10494-01
10680-11	UK	270	2" Flanged	Foot	x 50270-0311	SK254	816	21676-0001	21849	SP1005-04	6988	SP1005-04	SP2701-54	SP2601-37	---	SP2600-09	10667-0030	2574	9336	10494-01
10680-200	UK	270	2" Flanged	Foot	x 50270-2011	SK254	816	21676-0001	21849	SP1005-04	6988	SP1005-04	SP2701-54	SP2601-37	---	SP2600-09	10667-0030	2574	9336	10494-01
10680-201	UK	270	2" Flanged	Foot	x 50270-2111	SK254	816	21676-0001	21849	SP1005-04	6988	SP1005-04	SP2701-54	SP2601-37	---	SP2600-09	10667-0030	2574	9336	10494-01
10680-210	UK	270	2" Flanged	Foot	x 50270-2211	SK254	816	21676-0001	21849	SP1005-04	6988	SP1005-04	SP2701-54	SP2601-37	---	SP2600-09	10667-0030	2574	9336	10494-01
10680-211	UK	270	2" Flanged	Foot	x 50270-2311	SK254	816	21676-0001	21849	SP1005-04	6988	SP1005-04	SP2701-54	SP2601-37	---	SP2600-09	10667-0030	2574	9336	10494-01
10770-0051	UK	200	1 1/2" Flanged	Flange		SK369-0001	816	836-0001	21849	SP1095-0640	2551	SP1005-05	SP2701-54	SP2601-37	---	SP2601-37	11258	2574	9336	10634
10770-0111	UK	200	1 1/2" Flanged	Flange		SK230	816	17935-0001	21849	SP1095-0640	834	SP1005-04	SP2701-54	SP2601-37	---	SP2601-37	11256	2574	9336	10634
10770-0151	UK	200	1 1/2" Flanged	Flange	x	SK369-0001	816	836-0001	21849	SP1095-0640	2551	SP1005-05	SP2701-54	SP2601-37	---	SP2601-37	11256	2574	9336	23704-0000
10770-0331	UK	200	1 1/2" Flanged	Flange		SK369-0001	816	836-0001	21849	SP1095-0640	29772-0000	SP1005-05	SP2701-54	SP2601-37	---	SP2601-37	11256	2574	9336	23704-0000
10770-0351	UK	200	1 1/2" Flanged	Flange		SK230-01	816	836-0001	21849	SP1005-04	2551	SP1005-05	SP2701-54	SP2601-37	---	SP2601-37	11258	2574	9336	23704-0000
10770-0351	UK	200	1 1/2" Flanged	Flange		SK230-01	816	836-0001	21849	SP1005-04	2551	SP1005-05	SP2701-54	SP2601-37	---	SP2601-37	11256	2574	9336	23704-0000
10770-0531	UK	200	1 1/2" Flanged	Flange		SK230-01	816	836-0001	96080-0373	SP1095-0640	29772-0000	SP1005-05	SP2701-54	SP2601-37	---	SP2601-37	11256	2574	9336	23704-0000
10770-0551	UK	200	1 1/2" Flanged	Flange		SK230-01	816	836-0001	96080-0373	SP1095-0640	2551	SP1005-05	SP2701-54	SP2601-37	---	SP2601-37	11256	2574	10773	10634
10770-07	UK	200	1 1/2" Flanged	Flange		SK230-01	816	836-0001	21849	SP1005-04	834	SP1005-04	SP2701-54	SP2601-37	---	SP2601-37	11256	2574	9336	10634
10770-57	UK	200	1 1/2" Flanged	Flange		SK230-01	816	836-0001	21849	SP1005-04	2551	SP1005-05	SP2701-54	SP2601-37	---	SP2601-37	11256	2574	9336	10634
10770-62	UK	200	1 1/2" Flanged	Flange	x	SK230-01	816	836-0001	21849	SP1005-04	2551	SP1005-05	SP2701-54	SP2601-37	---	SP2601-37	21679-0000	2574	9336	10634



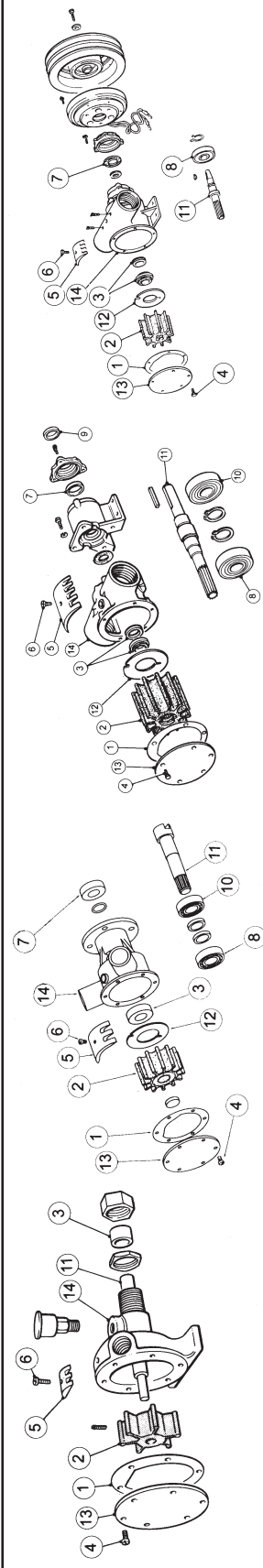
Flexible Impeller Pumps Spares by  
Pump Model **10590-22 to 10770-62**

# Service Parts -





JABSCO PUMP DETAILS				SERVICE KIT DETAILS				GENERAL PARTS LISTING													
Pump Number	Origin	Pump Size	Port Type	Mount Type	Alternate Part No	Obsolete	Kit Number	Gasket/ O Ring	Impeller	Water Seal	End Cover Screws	Cam	Cam Screw	Pump End Oil Seal	Pump End Bearing	Drive End Oil Seal	Drive End Bearing	Shaft	Wearplate	Endcover	Body
							Key	1	2	3	4	5	6	7	8	9	10	11	12	13	14
11150-0011	UK	200	2" Flanged	Foot			SK254	816	21676-0001	21849	SP1005-04	6988	SP1005-04	SP2701-54	SP2601-37	---	SP2601-37	11254-01	2574	9336	11104
11260-205	UK	010	1/4" BSP	Flange	x 29300-2101C		SK266	1126	4528-0001	SP2701-04	SP1002-01	AL8	SP1002-09	---	---	---	---	11227	---	AL6-200	11264-200
11260-2101	UK	010	3/8" BSP	Flange	x 29300-2151C		SK266	1126	4528-0001	SP2701-04	SP1002-01	AL8-01	SP1002-09	---	---	---	---	11227	---	AL6-200	11264-200
11260-2101	UK	010	3/8" BSP	Flange	x 29300-2201C		SK266	1126	4528-0001	SP2701-04	SP1002-01	AL8	SP1002-09	---	---	---	---	21537	---	AL6-200	11264-200
11260-2111	UK	010	1/2" BSP	Flange	x 29300-2151C		SK266	1126	4528-0001	SP2701-04	SP1002-01	AL8	SP1002-09	---	---	---	---	11127	---	AL6-200	11264-200
11260-2211	UK	010	3/8" BSP	Flange	x 29300-2151C		SK266	1126	4528-0001	SP2701-04	SP1002-01	AL8	SP1002-09	---	---	---	---	21537	---	AL6-200	11264-200
11410-200	UK	040	1/2" BSP	Foot			SK328	11415	1210-0001	22617-0010	SP1003-08	7876	SP1003-01	---	---	---	---	9717-21	8883	11416 (Div PI)	10339-221
11430-01	UK	010	1/4" BSP	Flange	x 29300-2101C		SK272	11438	4528-0001	SP2700-11	SP1002-04	11436	SP1002-01	SP2701-22	SP2600-38	---	---	11437	2765	11435	11434-01
11470-200	UK	020	1/2" Flanged	Flange	x 29300-2151C		SK325	11475	673-0001	22626-0000	SP1002-03	2907-0001	SP1002-09	---	---	---	---	---	---	---	11474
11470-200	UK	040	3/4" BSP	Flange			SK325	11476	1210-0001	22626-0000	SP1002-06	490	SP1003-01	SP2701-21	SP2600-13	---	---	11447	7883	11478 (Div PI)	10974-221
11570-200	UK	020	1/2" Flanged	Flange			SK325	11475	673-0001	22626-0000	SP1002-03	2907-0001	SP1002-09	---	---	---	---	---	---	---	11474
11570-200	UK	040	1/2" BSP	Flange			SK325	11476	1210-0001	22626-0000	SP1002-06	490	SP1003-01	SP2701-15	SP2601-39	---	---	11577	7883	11478 (Div PI)	10554-221
11590-204	UK	040	1/2" BSP	Foot			SK285	11415	1210-0001	22645-0000	SP1003-08	7876	SP1003-01	---	---	---	---	---	---	---	11414-200
11590-204	UK	080	1" BSP	Foot			SK285	11593	17937-0001	22645-0000	SP1003-11	3255	SP1004-11	SP2700-48	---	---	---	9707-21	4156	11416 (Div PI)	9704-21
11600	USA	080	1" NPT	Foot			SK299	890	17937-0001	22617-0010	SP1003-09	934	SP1004-09	SP2701-0940	---	---	---	---	---	---	11604
11620-200	UK	010	1/4" BSP	Flange	x 22830-2101		SK23	1189	4528-0001	SP2701-11	SP1002-01	2763	SP1002-03	SP2700-63	---	---	---	1053-11	2765	3993	11624-200
11620-211	UK	010	1/4" BSP	Flange			SK23	1189	4528-0001	SP2701-11	SP1002-01	2763	SP1002-03	SP2700-63	---	---	---	1053-11	2765	9566	11624-200
11650-200	UK	010	3/8" BSP	Flange			SK266	1126	4528-0001	SP2701-04	SP1002-01	AL8	SP1002-09	---	---	---	---	---	---	---	11654-200
11740-200	UK	040	1/2" BSP	Foot			SK300	11746	17937-0001	21849	SP1005-03	934	SP1004-09	---	---	---	---	---	---	---	10634
11740-200	UK	080	1" Flanged	Foot			SK300	816	836-0001	21849	SP1005-03	834	SP1005-04	SP2701-54	SP2601-37	---	---	11749-0000	2574	11745 (Div PI)	11744-200
11740-205	UK	080	1" BSP	Foot			SK300	11746	17937-0001	21849	SP1005-03	934	SP1004-09	---	---	---	---	---	---	---	10634
11740-205	UK	200	1 1/2" Flanged	Foot			SK300	816	836-0001	21849	SP1005-03	2551	SP1005-05	SP2700-49	SP2601-37	---	---	11749-0000	2574	11745 (Div PI)	11744-200
11790	UK	200	1 1/2" Flanged	Flange			SK230	816	836-0001	21849	SP1005-04	834	SP1005-04	SP2601-41	SP2601-37	---	---	11796-0010	2574	9336	10584
11790-01	UK	200	1 1/2" Flanged	Flange			SK230	816	836-0001	21849	SP1005-04	834	SP1005-04	SP2601-41	SP2601-37	---	---	11258	2574	9336	10584
11850-0101	USA	040	1" Hose	Flange	x 11850-0701		SK117-02	8641	1210-0001	SP6080-08	SP1026-01	8528	SP1030-0100	SP3000-0090	SP2600-0070	---	---	11977-0010	8493	9176	11854-0410
11850-0701	UK	040	1" Hose	Flange			SK117-02	8641	1210-0001	SP6080-08	SP1026-01	8528	SP1030-0100	SP3000-0090	SP2600-0070	---	---	11977-0010	8493	9176	11854-0410
11850-0701	USA	040	1" Hose	Flange			90117-0001	8641-0000	1210-0001	96080-0080	91026-0010	8528-0000	91030-0110	95000-0090	92600-0070	---	---	11977-0000	8493-0000	12346-0000	11854-0410
11850-0711	USA	040	1" Hose	Foot			90117-0001	8641-0000	1210-0001	96080-0080	91026-0010	8528-0000	91030-0110	95000-0090	92600-0070	---	---	11977-0000	8493-0000	12346-0000	11854-0410
11860-0001	USA	080	1" NPT	Foot			90118-0001	890-0000	920-0003	96080-0080	91003-0010	934-0000	91004-0090	913-0000	92600-0540	---	---	11867-0000	4156-0000	11831-0000	11864-0000
11860-0003	USA	080	1" NPT	Foot			90118-0003	890-0000	920-0003	96080-0080	91003-0010	934-0000	91004-0090	913-0000	92600-0540	---	---	11867-0000	4156-0000	11831-0000	11864-0000
11860-0004	USA	080	1" NPT	Foot			90118-0003	890-0000	920-0003	96080-0080	91003-0010	934-0000	91004-0090	913-0000	92600-0540	---	---	11867-0000	4156-0000	11831-0000	11864-0000
11860-0005	USA	080	1" NPT	Foot			90118-0003	890-0000	920-0003	96080-0080	91003-0010	934-0000	91004-0090	913-0000	92600-0540	---	---	11867-0000	4156-0000	11831-0000	11864-0000
11860-0006	USA	080	1" NPT	Foot			90118-0003	890-0000	920-0003	96080-0080	91003-0010	934-0000	91004-0090	913-0000	92600-0540	---	---	11867-0000	4156-0000	11831-0000	11864-0000



**Service Parts -** Flexible Impeller Pumps Spares by Pump Model **11150-0011 to 11860-0006**

# Service Parts -

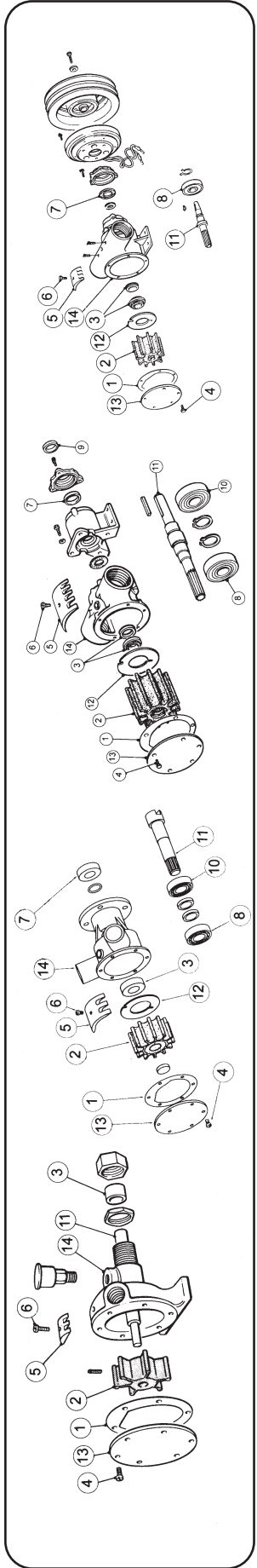
Flexible Impeller Pumps Spares by  
 Pump Model **11860-0007 to 17520-0052**

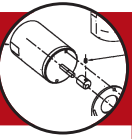
11

www.jabsco.com

JABSCO

JABSCO PUMP DETAILS				SERVICE KIT DETAILS										GENERAL PARTS LISTING									
Pump Number	Origin	Pump Size	Port Type	Mount Type	Alternate Part No	Kit Number	Key	Gasket/O Ring	Impeller	Water Seal	End Cover Screws	Cam	Cam Screw	Pump End Oil Seal	Pump End Bearing	Drive End Oil Seal	Drive End Bearing	Shaft	Wearplate	Endcover	Body		
				Obsolete																		* OEM supply only	
11860-0007	USA	080	1"NPT	Foot		90118-0003		890-0000	920-0000	96080-0080	91003-0010	934-0000	91004-0090	913-0000	92600-0540	913-0000	91004-0040	11867-0000	4156-0000	11831-0000	11864-0000	14	
11870-0001	USA	200	1/2"NPT	Foot		90062-0003		816-0000	836-0003	6407-0010	91005-0040	834-0001	91004-0040	817-0000	92600-0040	817-0000	91004-0040	11877-0000	2574-0000	12062-0000	18753-0585		
11870-0003	USA	200	1/2"NPT	Foot		90062-0003		816-0000	836-0003	6407-0010	91005-0040	834-0001	91004-0040	817-0000	92600-0040	817-0000	91004-0040	11877-0000	2574-0000	12062-0000	18753-0585		
11870-0004	USA	200	1/2"NPT	Foot		90062-0003		816-0000	836-0003	6407-0010	91005-0040	834-0001	91004-0040	817-0000	92600-0040	817-0000	91004-0040	11877-0000	2574-0000	12062-0000	18753-0585		
11870-0005	USA	200	1/2"NPT	Foot		90062-0003		816-0000	836-0003	6407-0010	91005-0040	834-0001	91004-0040	817-0000	92600-0040	817-0000	91004-0040	11877-0000	2574-0000	12062-0000	18753-0585		
11870-0006	USA	200	1/2"NPT	Foot		90062-0003		816-0000	836-0003	6407-0010	91005-0040	834-0001	91004-0040	817-0000	92600-0040	817-0000	91004-0040	11877-0000	2574-0000	12062-0000	18753-0585		
11870-0007	USA	200	1/2"NPT	Foot		90062-0003		816-0000	836-0003	6407-0010	91005-0040	834-0001	91004-0040	817-0000	92600-0040	817-0000	91004-0040	11877-0000	2574-0000	12062-0000	18753-0585		
12050-0001	USA	080	3/4" Hose	Flange		90117-0121		8641-0080	3085-0001	92700-0180	91003-0090	8528-0000	91003-0110	92700-0060	92600-0070	12057-0000	12055-0000	12057-0000	8493-0000	12055-0000	12054-0000		
12280-0001	USA	080	3/2" Hose	Flange	x	90155-0001		12288-0000	17937-0001	96080-0080	91003-0010			913-0000	92600-0060			12287-0000		12294-0000	12284-0000		
12600-0001	USA	200	3" Hose	Flange		12608-0000		17608-0000	17935-0001	6408-0000	91005-0040	12176-0000		817-0000	92600-0040			12607-0000	12606-0000	12179-0000	12604-0000		
12600-0011	USA	200	3" Hose	Flange		12608-0000		17608-0000	17935-0001	6408-0000	91005-0040	12176-0000		817-0000	92600-0040			12607-0000	12606-0000	12179-0000	12604-0000		
12600-0021	USA	200	3" Hose	Flange		12608-0000		17608-0000	17935-0001	6408-0000	91005-0040	12176-0000		817-0000	92600-0040			12607-0000	12606-0000	12179-0000	12604-0000		
14210-0001	USA	040	1/2" Hose	Flange		90111-0001		3298-0000	1210-0001	96080-0080	91002-0020	6148-0040	91003-0070	913-0000	92600-0060			14217-0000	7038-0000	11830-0000	14214-0000		
14300-0001	USA	200	1 1/2" Flanged	Foot		90118-0001		816-0000	17935-0001	6408-0000	91005-0040	834-0001	91005-0040	92701-0180	92600-0260			14307-0000	2574-0000	12062-0000	10584-0010		
14320-0001	USA	040	1"NPT	Flange		90118-0001		890-0000	17937-0001	96080-0080	91003-0010	490-0000	91003-0070		92600-0460			6718-0000	4156-0000	11831-0000	798-0020		
14440-0001	USA	200	2" Flanged	Flange		90118-0001		816-0000	17935-0001	6408-0000	91005-0060	834-0001	91005-0040	92701-0060	92600-0260			92600-0260	2574-0000	12062-0000	12062-0000		
14620	USA	080	1" Hose	Flange	x	SK153		890	4598-0001	5F6080-08	5P1014-03	7867	5P1003-01	5P2700-48	92600-25			14627	7868	14625	14622		
17030-0001	USA	080	1/2" Flanged	Flange		3101-0000		17030-0000	17937-0001	96080-0080	91003-0010	7867-0000	91003-0010	913-0000	92600-0060			Obsolete	7868-0000	11831-0000	Obsolete		
17040-0001	USA	080	1/2" Flanged	Flange		3101-0000		17030-0000	17937-0001	96080-0080	91003-0010	7867-0000	91003-0010	913-0000	92600-0060			Obsolete	7868-0000	11831-0000	Obsolete		
17050-0001	USA	080	1 1/2" Flanged	Flange		3101-0000		17060-0000	17937-0001	96080-0080	91003-0010	7873-0000	91003-0020	913-0000	92600-0060			7267-0000	7868-0000	11831-0000	17054-0000		
17050-0002	USA	080	1 1/2" Flanged	Flange		90179-0001		17060-0000	17937-0001	96080-0080	91003-0010	7873-0000	91003-0020	913-0000	92600-0060			7267-0000	7868-0000	11831-0000	17054-0000		
17100-0001	USA	080	1 1/2" NPT	Flange		90179-0001		17106-0000	17937-0001	96080-0080	Obsolete	Obsolete	Obsolete					Obsolete	17108-0000	17232-0000	Obsolete		
17100-0005	USA	080	1 1/2" NPT	Flange		90179-0001		17106-0000	17937-0001	96080-0080	Obsolete	Obsolete	Obsolete					Obsolete	17108-0000	17232-0000	Obsolete		
17100-0011	USA	080	1 1/2" NPT	Flange		90179-0001		17106-0000	17937-0001	96080-0080	Obsolete	Obsolete	Obsolete					Obsolete	17108-0000	17232-0000	Obsolete		
17100-0011	USA	080	1 1/2" NPT	Flange		90179-0001		17106-0000	17937-0001	96080-0080	Obsolete	Obsolete	Obsolete					Obsolete	17108-0000	17232-0000	Obsolete		
17120-0001	USA	010	3/8"NPT	Flange		90178-0001		9156-0010	4528-0001	92700-0060	91002-0090	4538-0000	91002-0090					171127-0000	17108-0000	17232-0000	Obsolete		
17200-0001	USA	080	1 1/2" Hose	Flange	x	18830-0010		10184-0000	11979-0001	96080-0080	91003-0010	10182-0000	91004-0090					14206-0000	14937-0000	17204-0000	17204-0000		
17350-0011	USA	120	Flange	Flange		90190-0001		17365-1000	17370-0001	96080-0371	91005-0040	17374-1000		92701-0180	18752-0000			17108-0000	17108-0000	17372-1000	17378-1000		
17360-1001	USA	200	2 1/2" Flange	Flange		90190-0001		17365-1000	17370-0001	96080-0371	91005-0040	17374-1000		92701-0180	18752-0000			17108-0000	17108-0000	17372-1000	17378-1000		
17380-0001	USA	080	Flange	Flange		90190-0001		17106-0000	11979-0001	92700-0060				92600-0460	92600-0460			17388-0010	17108-0000	17388-0000	Obsolete		
17380-0011	USA	080	Flange	Flange		90190-0001		17106-0000	11979-0001	92700-0060				92600-0460	92600-0460			17388-0010	17108-0000	17388-0000	Obsolete		
17380-0021	USA	080	Flange	Flange		90190-0001		17106-0000	11979-0001	92700-0060				92600-0460	92600-0460			17388-0010	17108-0000	17388-0000	Obsolete		
17380-0031	USA	080	Flange	Flange		90190-0001		17106-0000	11979-0001	92700-0060				92600-0460	92600-0460			17388-0010	17108-0000	17388-0000	Obsolete		
17410-0001	USA	040	1" Hose	Flange	x	90187-0012		17408-0000	3085-0001	96080-0080	91095-0540							17388-0010	17847-0000	17232-0000	17404-0000		
17440-0001	USA	080	Flange	Flange		90181-0001		17445-0000	17937-0001	96080-0080	Obsolete	2431-0000	91004-0100					Obsolete	17108-0010	17372-1000	Obsolete		
17490-0001	USA	270	Flange	Flange		90181-0001		17365-1000	17936-0001	96080-0371	91005-0040	17374-1000		92700-0180	18752-0000			17366-1000	17372-1000	17378-1000	Obsolete		
17520-0001	USA	200	2 1/2" Flange	Flange		90181-0001		816-0000	17935-0001	6408-0000	18753-0332	834-0001	91005-0040	92700-0180	18753-0140			Proprietary	2574-0000	12062-0000	Proprietary		
17520-0002	USA	200	2 1/2" Flange	Flange		90181-0001		816-0000	17935-0001	6408-0000	18753-0332	834-0001	91005-0040	92700-0180	18753-0140			Proprietary	2574-0000	12062-0000	Proprietary		
17520-0005	USA	200	2 1/2" Flange	Flange		90181-0001		2553-1000	17935-0001	6408-0000	18753-0332	2551-0000	91005-0050	92700-0180	18753-0140			Proprietary	2574-0000	12062-0000	Proprietary		
17520-0052	USA	200	2 1/2" Flange	Flange		90181-0001		2553-1000	17935-0001	6408-0000	18753-0332	2551-0000	91005-0050	92700-0180	18753-0140			Proprietary	2574-0000	12062-0000	Proprietary		





JABSCO PUMP DETAILS				SERVICE KIT DETAILS				GENERAL PARTS LISTING													
Pump Number	Origin	Pump Size	Port Type	Mount Type	Alternate Part No	Obslete	Kit Number	Gasket/ O Ring	Impeller	Water Seal	End Cover Screws	Cam	Cam Screw	Pump End Oil Seal	Pump End Bearing	Drive End Oil Seal	Drive End Bearing	Shaft	Wearplate	Endcover	Body
							Key	1	2	3	4	5	6	7	8	9	10	11	12	13	14
17530-0000	USA	370	3" Flange	Flange			92000-1358	18786-0001	18786-0001	96080-0371	91106-0236	18785-0000	---	92701-0180	92601-0471	---	18753-0592	Proprietary	18787-0000	18784-1000	Proprietary
17540-0001	USA	370	2 1/2" Flange	Flange			92000-1358	18786-0001	18786-0001	96080-0371	91106-0236	18785-0000	---	92701-0180	92601-0471	---	---	Proprietary	18787-0000	18784-1000	Proprietary
17810-1000	USA	200	2 1/2" Flange	Flange			90019-1011	17365-1000	17365-1000	6408-0000	91095-0060	834-0001	91005-6040	92701-0180	92600-6260	---	---	17807-0001	2574-0000	12062-0000	10584-0010
17970-0000	USA	200	2 1/2" Flange	Flange			17365-1000	17370-0001	17370-0001	96080-0371	---	17374-1000	---	92701-0180	18752-0000	---	---	Proprietary	17272-1000	7	Proprietary
18200-0000	USA	200	3" Hose	Flange			17365-1000	17370-0001	17370-0001	96080-0371	18753-0332	17374-1000	---	92701-0180	92600-0320	---	---	18204-0000	17372-1000	17378-1000	18203-0000
18200-0002	USA	200	3" Hose	Flange			17365-1000	17370-0001	17370-0001	96080-0371	18753-0332	17374-1000	---	92701-0180	92600-0320	---	---	18204-0000	17372-1000	17378-1000	18203-0000
18300-0000	USA	270	1 1/2" NPT	Foot			90254-0001	816-0000	17936-0001	6408-0000	91005-0040	6988-0000	91004-0040	92701-0180	92600-0260	---	---	10657-0010	2574-0000	12062-0000	18313-0002
18320-0000	USA	270	2"NPT	Foot			90254-0003	816-0000	6760-0003	6408-0000	91005-0040	6988-0000	91004-0040	92701-0180	92600-0260	---	---	10657-0010	2574-0000	12062-0000	18313-0002
18320-0001	USA	270	1 1/2" NPT	Foot			90254-0001	816-0000	17936-0001	6408-0000	91005-0040	6988-0000	91004-0040	92701-0180	92600-0260	---	---	10657-0010	2574-0000	12062-0000	18313-0003
18320-0002	USA	270	1 1/2" NPT	Foot			90254-0003	816-0000	6760-0003	6408-0000	91005-0040	6988-0000	91004-0040	92701-0180	92600-0260	---	---	10657-0010	2574-0000	12062-0000	18313-0003
18330-0000	USA	270	2"NPT	Foot			90254-0003	816-0000	6760-0003	6408-0000	91005-0040	6988-0000	91004-0040	92701-0180	92600-0260	---	---	10657-0010	2574-0000	12062-0000	18313-0003
18330-0001	USA	270	2"NPT	Foot			90254-0003	816-0000	6760-0003	6408-0000	91005-0040	6988-0000	91004-0040	92701-0180	92600-0260	---	---	10657-0010	2574-0000	12062-0000	18313-0003
18330-0002	USA	270	2"NPT	Foot			90254-0003	816-0000	6760-0003	6408-0000	91005-0040	6988-0000	91004-0040	92701-0180	92600-0260	---	---	10657-0010	2574-0000	12062-0000	18313-0003
18340-0000	USA	270	1 1/2" NPT	Foot			90254-0001	816-0000	17936-0001	6408-0000	91005-0040	6988-0000	91005-0040	92701-0180	92600-0260	---	---	10657-0010	2574-0000	12062-0000	18313-0000
18370-0000	USA	270	2"NPT	Foot			90254-0001	816-0000	17936-0001	6408-0000	91005-0040	6988-0000	91005-0040	92701-0180	92600-0260	---	---	10657-0010	2574-0000	12062-0000	18313-0000
18400-0050	USA	040	1/2"NPT	Flange			90033-0001	5212-0000	1210-0001	92700-0060	91002-0020	5211-0000	91003-0090	92701-0180	92600-0260	---	---	18404-0000	5211-0000	11830-0000	18313-0001
18760-0001	USA	200	2" Flanged	Flange			90190-0001	17365-1000	17370-0001	96080-0371	91005-0040	17374-1000	---	92700-0180	92600-0260	818-0000	---	18752-0000	17372-1000	17378-1000	18313-0004
18760-0002	USA	200	2" Flanged	Flange			90190-0001	17365-1000	17370-0001	96080-0371	91005-0040	17374-1000	---	92700-0180	92600-0260	818-0000	---	18752-0000	17372-1000	17378-1000	18313-0004
18760-0003	USA	200	2" Flanged	Flange			90190-0001	17365-1000	17370-0001	96080-0371	91005-0040	17374-1000	---	92700-0180	92600-0260	818-0000	---	18752-0000	17372-1000	17378-1000	18313-0004
18760-0004	USA	200	2" Flanged	Flange			90190-0001	17365-1000	17370-0001	96080-0371	91005-0040	17374-1000	---	92700-0180	92600-0260	818-0000	---	18752-0000	17372-1000	17378-1000	18313-0004
18760-0005	USA	200	2" Flanged	Flange			90190-0001	17365-1000	17370-0001	96080-0371	91005-0040	17374-1000	---	92700-0180	92600-0260	818-0000	---	18752-0000	17372-1000	17378-1000	18313-0004
18760-0006	USA	200	2" Flanged	Flange			90190-0001	17365-1000	17370-0001	96080-0371	91005-0040	17374-1000	---	92700-0180	92600-0260	818-0000	---	18752-0000	17372-1000	17378-1000	18313-0004
18760-0007	USA	200	2" Flanged	Flange			90190-0001	17365-1000	17370-0001	96080-0371	91005-0040	17374-1000	---	92700-0180	92600-0260	818-0000	---	18752-0000	17372-1000	17378-1000	18313-0004
18760-0008	USA	200	2" Flanged	Flange			90190-0001	17365-1000	17370-0001	96080-0371	91005-0040	17374-1000	---	92700-0180	92600-0260	818-0000	---	18752-0000	17372-1000	17378-1000	18313-0004
18760-0009	USA	200	2" Flanged	Flange			90190-0001	17365-1000	17370-0001	96080-0371	91005-0040	17374-1000	---	92700-0180	92600-0260	818-0000	---	18752-0000	17372-1000	17378-1000	18313-0004
18760-0010	USA	200	2" Flanged	Flange			90190-0001	17365-1000	17370-0001	96080-0371	91005-0040	17374-1000	---	92700-0180	92600-0260	818-0000	---	18752-0000	17372-1000	17378-1000	18313-0004
18760-0011	USA	200	2" Flanged	Flange			90190-0001	17365-1000	17370-0001	96080-0371	91005-0040	17374-1000	---	92700-0180	92600-0260	818-0000	---	18752-0000	17372-1000	17378-1000	18313-0004
18760-0012	USA	200	2" Flanged	Flange			90190-0001	17365-1000	17370-0001	96080-0371	91005-0040	17374-1000	---	92700-0180	92600-0260	818-0000	---	18752-0000	17372-1000	17378-1000	18313-0004
18760-0013	USA	200	2" Flanged	Flange			90190-0001	17365-1000	17370-0001	96080-0371	91005-0040	17374-1000	---	92700-0180	92600-0260	818-0000	---	18752-0000	17372-1000	17378-1000	18313-0004
18760-0014	USA	200	2" Flanged	Flange			90190-0001	17365-1000	17370-0001	96080-0371	91005-0040	17374-1000	---	92700-0180	92600-0260	818-0000	---	18752-0000	17372-1000	17378-1000	18313-0004
18760-0015	USA	200	2" Flanged	Flange			90190-0001	17365-1000	17370-0001	96080-0371	91005-0040	17374-1000	---	92700-0180	92600-0260	818-0000	---	18752-0000	17372-1000	17378-1000	18313-0004
18760-0016	USA	200	2" Flanged	Flange			90190-0001	17365-1000	17370-0001	96080-0371	91005-0040	17374-1000	---	92700-0180	92600-0260	818-0000	---	18752-0000	17372-1000	17378-1000	18313-0004
18760-0017	USA	200	2" Flanged	Flange			90190-0001	17365-1000	17370-0001	96080-0371	91005-0040	17374-1000	---	92700-0180	92600-0260	818-0000	---	18752-0000	17372-1000	17378-1000	18313-0004
18760-0018	USA	200	2" Flanged	Flange			90190-0001	17365-1000	17370-0001	96080-0371	91005-0040	17374-1000	---	92700-0180	92600-0260	818-0000	---	18752-0000	17372-1000	17378-1000	18313-0004
18760-0019	USA	200	2" Flanged	Flange			90190-0001	17365-1000	17370-0001	96080-0371	91005-0040	17374-1000	---	92700-0180	92600-0260	818-0000	---	18752-0000	17372-1000	17378-1000	18313-0004
18760-0020	USA	200	2" Flanged	Flange			90190-0001	17365-1000	17370-0001	96080-0371	91005-0040	17374-1000	---	92700-0180	92600-0260	818-0000	---	18752-0000	17372-1000	17378-1000	18313-0004
18760-0021	USA	200	2" Flanged	Flange			90190-0001	17365-1000	17370-0001	96080-0371	91005-0040	17374-1000	---	92700-0180	92600-0260	818-0000	---	18752-0000	17372-1000	17378-1000	18313-0004
18760-0022	USA	200	2" Flanged	Flange			90190-0001	17365-1000	17370-0001	96080-0371	91005-0040	17374-1000	---	92700-0180	92600-0260	818-0000	---	18752-0000	17372-1000	17378-1000	18313-0004
18760-0023	USA	200	2" Flanged	Flange			90190-0001	17365-1000	17370-0001	96080-0371	91005-0040	17374-1000	---	92700-0180	92600-0260	818-0000	---	18752-0000	17372-1000	17378-1000	18313-0004
18760-0024	USA	200	2" Flanged	Flange			90190-0001	17365-1000	17370-0001	96080-0371	91005-0040	17374-1000	---	92700-0180	92600-0260	818-0000	---	18752-0000	17372-1000	17378-1000	18313-0004
18760-0025	USA	200	2" Flanged	Flange			90190-0001	17365-1000	17370-0001	96080-0371	91005-0040	17374-1000	---	92700-0180	92600-0260	818-0000	---	18752-0000	17372-1000	17378-1000	18313-0004
18760-0026	USA	200	2" Flanged	Flange			90190-0001	17365-1000	17370-0001	96080-0371	91005-0040	17374-1000	---	92700-0180	92600-0260	818-0000					

# Service Parts -

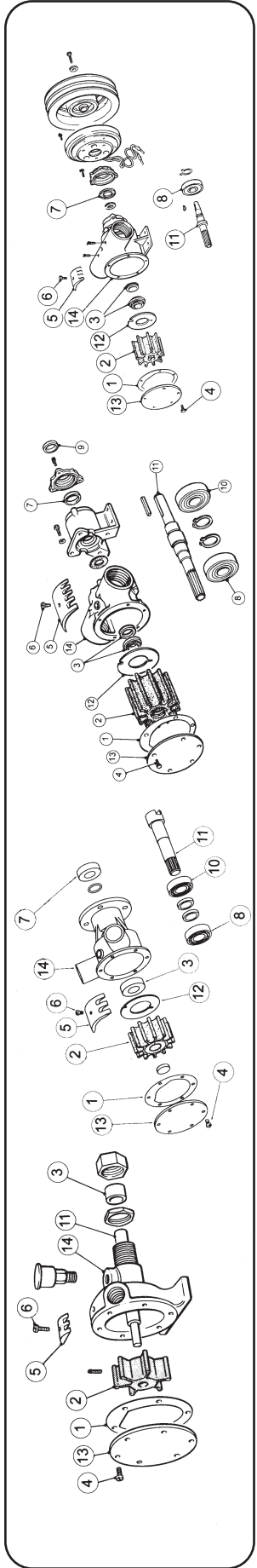
Flexible Impeller Pumps Spares by  
Pump Model **18930-0020 to 21770**

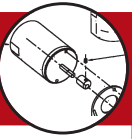
11

www.jabasco.com

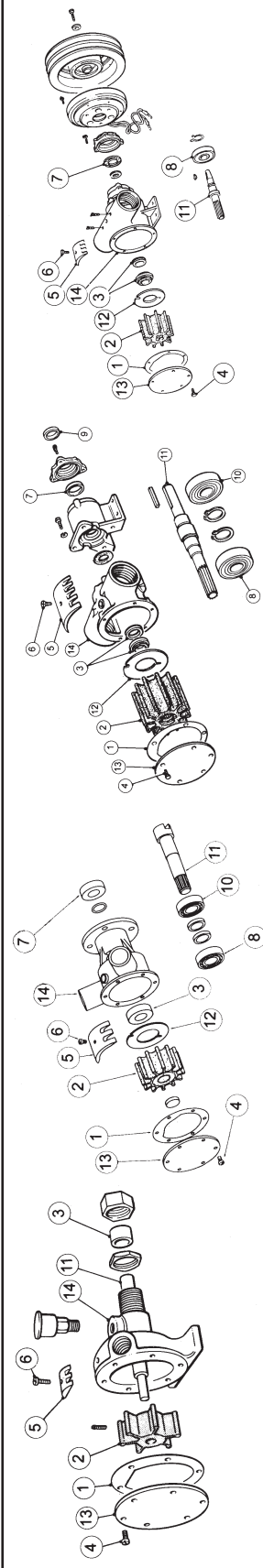
JABSCO

JABSCO PUMP DETAILS				SERVICE KIT DETAILS				GENERAL PARTS LISTING															
Pump Number	Origin	Pump Size	Port Type	Mount Type	Obsolete	Alternate Part No	Kit Number	Key	Gasket/O Ring	Impeller	Water Seal	End Cover Screws	Cam	Cam Screw	Pump End Oil Seal	Pump End Bearing	Drive End Oil Seal	Drive End Bearing	Shaft	Wearplate	Endcover	Body	
																							* OEM supply only
18930-0020	USA	080	1/4" Hose	Flange			90184-0001	18753-0005	11979-0001	96080-0080	18753-0001	10182-0000	91004-0090	92600-0120	18836-1000	92600-0120	18836-1000	18836-1000	18836-1000	---	---	---	18944-1000
18940-0010	USA	080	1/4" Hose	Flange			90184-0001	18753-0005	11979-0001	96080-0080	18753-0010	10182-0000	91004-0090	92600-0120	18836-1000	92600-0120	18836-1000	18836-1000	18836-1000	---	---	---	18944-1000
21080-0010	UK	040	1/2" BSP	Foot	x	Blige	SK330	11415	17937-0001	SP2701-21	SP1003-11	Assy 7884	SP1003-01	SP2700-48	---	---	SP2700-47	SP2600-06	21087	Assy 7884	11414-200	11414-200	
21080-200	UK	040	1" Flanged	Foot		Cooling	SK330	890	17937-0001	SP2701-21	SP1003-08	934	SP1004-09	SP2700-48	---	---	SP2700-47	SP2600-06	21087	Assy 7884	11416 (Div Pl)	6424-221	
21080-204	UK	040	1/2" BSP	Foot	x	Blige	SK330	11415	1210-0001	SP2701-21	SP1003-11	Assy 7884	SP1003-01	SP2700-48	---	---	SP2700-47	SP2600-06	21087	Assy 7884	11414-200	11414-200	
21080-204	UK	080	1" BSP	Foot		Cooling	SK330	890	17937-0001	SP2701-21	SP1003-08	3225	SP1004-10	SP2700-48	---	---	SP2700-47	SP2600-06	21087	Assy 7884	11416 (Div Pl)	6424-221	
21090-200	UK	040	1/2" BSP	Flange	x	21090-204	SK239	3298	1210-0001	22626-0000	SP1002-02	490	SP1003-01	---	---	---	---	---	---	---	7883	10974-200	
21090-204	UK	040	1/2" BSP	Flange	x		SK230	816	836-0001	21849	SP1005-04	10336	SP1003-09	---	---	---	---	---	---	---	7883	10974-200	
21100	UK	080	1" BSP	Foot	x		SK288	890	17937-0001	22626-0000	SP1003-09	21167	SP1004-09	---	---	---	---	---	---	---	21098	10974-200	
21130-200	UK	010	3/8" BSP	Flange	x		SK304	21117	4528-0001	SP2701-04	SP1002-03	AL8	SP1002-02	---	---	---	---	---	---	---	11127-02	10329-02	
21130-200	UK	010	3/8" BSP	Flange	x	21130-2101	SK304	21117	4528-0001	SP2701-04	SP1002-17	AL8	SP1002-09	---	---	---	---	---	---	---	21133	21113-200	
21130-2101	UK	010	3/8" BSP	Flange	x		SK304	21117	4528-0001	SP2701-04	SP1002-03	AL8	SP1002-02	---	---	---	---	---	---	---	---	11264-201	
21130-2101	UK	010	3/8" BSP	Flange	x	Cooling	SK304	21117	4528-0001	SP2701-04	SP1002-17	AL8	SP1002-01	---	---	---	---	---	---	---	---	11264-2110	
21140-200	UK	080	1" BSP	Flange	x	21140-2401	SK229	890	17937-0001	22617-0010	SP1003-09	934	SP1004-09	SP2701-21	SP2601-39	---	---	---	---	10957-01	4156	10329-200	
21140-201	UK	080	1" BSP	Flange	x		SK229	890	17937-0001	22617-0010	SP1003-09	934	SP1004-09	SP2701-21	SP2601-39	---	---	---	---	10957-01	4156	10329-200	
21140-204	UK	080	1" BSP	Flange	x	21140-2401	SK229	890	17937-0001	22617-0010	SP1003-09	3255	SP1004-11	SP2701-21	SP2601-39	---	---	---	---	10957-01	4156	10329-200	
21140-2101	UK	080	1" BSP	Flange	x	21140-2601	SK229	890	17937-0001	22617-0010	SP1003-09	934	SP1004-09	SP2701-21	SP2601-39	---	---	---	---	22927-0010	4156	10329-200	
21140-2141	UK	080	1" BSP	Flange	x		SK229	890	17937-0001	22617-0010	SP1003-09	3255	SP1004-11	SP2701-21	SP2600-01	---	---	---	---	22927-0010	4156	10329-200	
21140-2201	UK	080	1" BSP	Flange	x	21140-2601	SK229	890	17937-0001	22617-0010	SP1003-09	934	SP1004-09	SP2701-21	SP2600-01	---	---	---	---	22927-0010	4156	10329-200	
21140-2241	UK	080	1" BSP	Flange	x	21140-2601	SK229	890	17937-0001	22617-0010	SP1003-09	3255	SP1004-11	SP2701-21	SP2600-01	---	---	---	---	22927-0010	4156	10329-200	
21140-2308	UK	080	1" BSP	Flange			SK229-0008	890	920-0008	22617-0010	SP1003-09	934	SP1004-09	SP2701-21	SP2601-39	---	---	---	---	10957-01	4156	10329-200	
21140-2401	UK	080	1" BSP	Flange			SK423-0001	890	920-0001	22617-0010	SP1003-09	934	SP1004-09	SP2701-21	SP2601-39	---	---	---	---	10957-01	4156	10329-200	
21140-2441	UK	080	1" BSP	Flange	x		SK229	890	17937-0001	22617-0010	SP1003-09	3255	SP1004-11	SP2701-21	SP2601-39	---	---	---	---	23377-0010	4156	10329-200	
21140-2601	UK	080	1" BSP	Flange			SK423-0001	890	920-0001	22617-0010	SP1003-09	934	SP1004-09	SP2701-21	SP2601-39	---	---	---	---	23377-0010	4156	10329-200	
21140-2641	UK	080	1" BSP	Flange			SK229	890	17937-0001	22617-0010	SP1003-09	3255	SP1004-11	SP2701-21	SP2601-39	---	---	---	---	23377-0010	4156	10329-200	
21140-2701	UK	080	1" BSP	Flange	x		SK229	890	17937-0001	22617-0010	SP1003-09	934	SP1004-09	SP2701-21	SP2601-39	---	---	---	---	23377-0010	4156	10329-200	
21180-05	UK	200	1" Flanged	Flange	x		SK299-01	816	836-0001	21849	SP1005-04	2551	SP1005-04	SP2601-30	SP2601-30	---	---	---	---	21186	2574	21183	
21190-200	UK	020	3/8" BSP	Foot	x	Blige	SK327	11476	673-0001	SP2701-21	SP1002-06	2907	SP1002-09	---	---	---	---	---	---	---	---	11474	
21190-200	UK	040	1/2" BSP	Foot		Cooling	SK327	11475	1210-0001	SP2701-21	SP1002-03	Assy 7884	SP1003-01	SP2700-07	---	---	---	---	---	21197	Assy 7884	3274-221	
21580-200	UK	080	1" BSP	Flange	x		SK229	890	17937-0001	22626-0000	SP1003-09	934	SP1004-09	SP2701-39	SP2601-39	---	---	---	---	21587	4156	10329-200	
21680-05	UK	080	1" NPT	Foot			SK315-0101	816	17935-0001	21849	SP1005-04	2551	SP1005-05	SP2700-49	SP2600-04	---	---	---	---	9527	2574	21684	
21690	UK	040	0.20 Hose	Flange	x		SK239	3298	1210-0001	22626-0000	SP1002-02	490	SP1003-01	SP2701-44	SP2601-44	---	---	---	---	21698	7883	21699	
21690-05	UK	040	0.20 Hose	Flange	x		SK239	3298	1210-0001	22626-0000	SP1002-02	10336	SP1003-09	SP2701-44	SP2601-44	---	---	---	---	21698	7883	21699	
21690-200	UK	040	1/2" BSP	Flange	x		SK239	3298	1210-0001	22626-0000	SP1002-02	490	SP1003-01	SP2701-44	SP2601-44	---	---	---	---	21698	7883	21699	
21770	UK	040	0.32 Hose	Flange	x		SK309	4908	4568-0001	SP2701-01	SP1003-09	490	SP1003-07	SP2701-01	---	---	---	---	---	21777	7883	21775	





JABSCO PUMP DETAILS				SERVICE KIT DETAILS				GENERAL PARTS LISTING											
Pump Number	Origin	Pump Size	Port Type	Mount Type	Alternate Part No	Kit Number	Gasket/ O Ring	Impeller	Water Seal	End Cover Screws	Cam Screw	Pump End Oil Seal	Pump End Bearing	Drive End Oil Seal	Drive End Bearing	Shaft	Wearplate	Endcover	Body
						Key		* ODM supply only											* ODM supply only
21780	UK	200	1/8" BSP	Foot	X	SK230	816	836-0001	21849	SP1005-04	21789	SP2700-50	SP2700-49	SP2600-04	21788	4156	3993	21784	
21810	UK	200	1/8" BSP	Foot	X	SK310	890	17018-0001	22617-0000	SP1003-09	834	SP2700-50	SP2600-18	SP2600-18	21238	2574	9336	10584-11	
21810-01	UK	200	1/8" BSP	Foot	X	SK230	816	836-0001	21849	SP1005-04	834	SP2700-50	SP2600-18	SP2600-18	21238	2574	9336	10584-11	
21820-200	UK	040	1/8" BSP	Foot	X	SK33	3298	1210-0001	SP2701-21	SP1002-02	490	SP2701-21	SP2701-15	SP2600-07	21826	7883	3992	21824-200	
21820-2001	UK	040	1/8" BSP	Foot	X	SK33	3298	1210-0001	SP2701-21	SP1002-02	490	SP2701-21	SP2701-15	SP2600-07	21826	7883	3992	21824-200	
21820-2003	UK	040	1/8" BSP	Foot	X	SK384-0003	3298	1210-0003	SP2700-1027	SP1002-02	490	SP2701-21	SP2701-15	SP2600-07	21826	7883	3992	21824-200	
21820-2021	UK	040	1/8" BSP	Foot	X	SK384-2021	3298	3085-0001	SP2700-1027	SP1002-02	490	SP2701-21	SP2701-15	SP2600-07	21826	7883	3992	21824-200	
21820-205	UK	040	1/8" BSP	Foot	X	SK33	3298	1210-0001	SP2701-21	SP1002-02	10336	SP2701-21	SP2701-15	SP2600-07	21826	7883	3992ab	21824-200	
21880-200	UK	080	1" BSP	Foot	X	SK300	11746	17937-0001	21849	SP1004-09	934	SP1004-09	SP2700-49	SP2700-49	21887	2574	11745 (Div Pl)	6404-200	
21880-205	UK	080	1" BSP	Foot	X	SK300	11746	17937-0001	21849	SP1005-03	2551	SP1005-05	SP2700-49	SP2700-49	21887	2574	11745 (Div Pl)	6404-200	
21880-205	UK	200	1/8" BSP	Foot	X	SK300	816	836-0001	21849	SP1005-03	934	SP1004-09	SP2700-49	SP2700-49	21887	4156	11745 (Div Pl)	6404-200	
21890	UK	120	1/8" BSP	Flange	X	10880-2611	890	17018-0001	22617-0000	SP1003-09	2551	SP1005-05	SP2700-48	SP2601-42	2574	2574	3993	10329-200	
21960-200	UK	080	1" BSP	Foot	X	SK229	890	17937-0001	22617-0010	SP1003-09	934	SP1004-09	SP2701-87	SP2701-87	21966	4156	3933	10329-200	
21960-210	UK	080	1" BSP	Foot	X	SK229	890	17937-0001	22617-0010	SP1003-09	934	SP1004-09	SP2701-87	SP2701-87	21966	4156	3933	10329-200	
21960-211	UK	080	1" BSP	Foot	X	SK229	890	17937-0001	22617-0010	SP1003-09	934	SP1004-09	SP2701-87	SP2701-87	21966	4156	3933	10329-200	
21960-221	UK	080	1" BSP	Foot	X	SK229	890	17937-0001	22617-0010	SP1003-09	934	SP1004-09	SP2701-87	SP2701-87	21966	4156	3933	10329-200	
21980	UK	200	1/8" BSP	Foot	X	SK230	816	836-0001	21849	SP1005-04	834	SP2701-86	SP2601-37	SP2601-37	21997	2574	9336	10634	
21990	UK	270	2" Flanged	Foot	X	SK254	816	21676-0001	21849	SP1005-04	6988	SP2701-86	SP2601-37	SP2601-37	21997-01	2574	9336	10494	
22040-01	UK	270	2" Flanged	Flange	X	SK318	4009	17936-0001	21849	SP1005-04	6988	SP2700-50	SP2700-50	SP2600-32	21239-0010	2574	9336	11104-02	
22040-0131	UK	270	2" Flanged	Flange	X	22040-0501	816	17936-0001	21849	SP1005-04	22039	SP2700-50	SP2700-50	SP2600-32	21239-0010	2574	9336	11104-03	
22040-0531	UK	270	2" Flanged	Flange	X	SK318	816	17936-0001	21849	SP1005-04	6988	SP2700-50	SP2700-50	SP2600-32	21239-0010	2574	9336	11104-03	
22110-0201	UK	060	1/8" Hose	Flange	X	SK318	816	17936-0001	21849	SP1005-04	22039	SP1005-04	SP2700-50	SP2600-32	21239-0010	2574	9336	11104-03	
22110-0251	USA	060	1/8" Hose	Crank	X	---	18753-0656	22120-0001	96080-0080	18753-0657	---	---	---	---	---	---	---	---	---
22110-0301	USA	060	1/8" Hose	Crank	X	---	18753-0656	22120-0001	96080-0080	18753-0657	---	---	---	---	---	---	---	---	---
22110-0351	USA	060	1/8" Hose	Crank	X	---	18753-0656	22120-0001	96080-0080	18753-0657	---	---	---	---	---	---	---	---	---
22220-2001	UK	060	1" BSP	Flange	X	SK334	3298	22120-0001	22626-0000	SP8019-01	22318	SP2701-21	SP2600-13	SP2600-13	22227-0100	7883	3992	22224	
22220-241	UK	060	1" BSP	Flange	X	SK334	3298	22120-0001	22617-0010	SP1002-01	22318	SP2701-21	SP2600-13	SP2600-13	22227	7883	3992	22224	
22230-200	UK	010	1/8" BSP	Flange	X	SK332	21117	4528-0001	SP2701-09	SP1107-05	22216	SP1002-02	SP2600-13	SP2600-13	22227	7883	3992	22234-200	
22230-200	UK	010	1/8" BSP	Flange	X	SK332	21117	4528-0001	SP2701-09	SP1107-05	AL8	SP1002-09	---	---	22237	---	21116 (Div Pl)	21913-202	
Duplex	UK	020	Ø 16 Hose	Flange	X	SK333	9408	673-0001	SP2701-09	SP1107-05	22217	SP1002-01	---	---	---	---	---	11474-01	
22240	UK	020	Ø 16 Hose	Flange	X	SK333	9408	673-0001	SP2701-09	SP1107-05	10818	SP1002-02	---	---	22247	---	11478 (Div Pl)	22374	
Duplex	UK	060	Ø 32 Hose	Crank	X	SK331-05	3298	22120-0001	SP6080-08	SP8019-01	22308	SP1004-10	---	---	22307	---	3992	22304	
22250-200	UK	010	1/8" BSP	Flange	X	SK336	1126	4528-0001	SP2701-09	X3075-062G	22216	SP1002-02	---	---	---	---	22357	22234-200	



**Service Parts -** Flexible Impeller Pumps Spares by Pump Model **21780 to 22350-200**



# Service Parts -

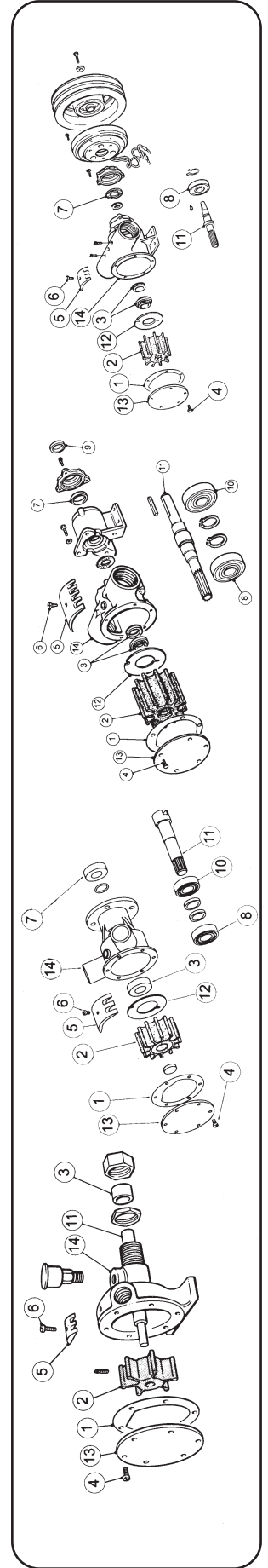
Flexible Impeller Pumps Spares by  
 Pump Model **22350-200 to 22940-2053**

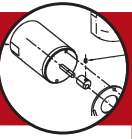
11

www.jabasco.com

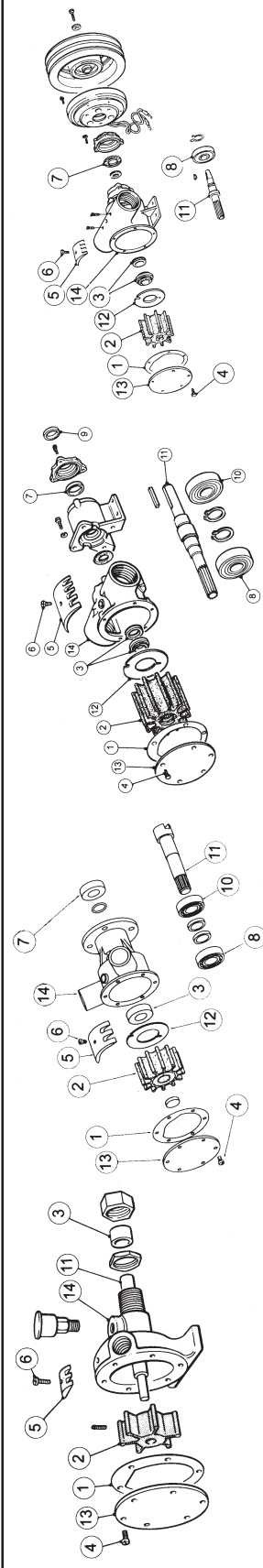
JABSCO

JABSCO PUMP DETAILS				SERVICE KIT DETAILS				GENERAL PARTS LISTING														
Pump Number	Origin	Pump Size	Port Type	Mount Type	Alternate Part No	Kit Number	Key	Gasket/ O Ring	Impeller	Water Seal	End Cover Screws	Cam	Cam Screw	Pump End Oil Seal	Pump End Bearing	Drive End Oil Seal	Drive End Bearing	Shaft	Wearplate	Endcover	Body	
				Obsolete																		* OEM supply only
22350-200	UK	010	1/8" BSP	Flange	Fresh Water	SK336	SK336	1126	4528-0001	SP2701-09	X3075-062G	AL8	SP1002-09	SP2701-04	---	---	---	22237	---	---	21116 (Div PI)	22354-200
22360	UK	020	Ø 16 Hose	N/A	Salt Water	SK337	SK337	10817	673-0001	SP2701-04	X3075-062G	10818	SP1002-01	---	---	---	---	---	---	22366	22364	
22360	UK	020	Ø 16 Hose	Flange	Fresh Water	SK337	SK337	10817	673-0001	SP2701-04	X3075-062G	22217	SP1002-02	SP2701-04	---	---	---	22247	---	---	11478 (Div PI)	22374
22400-0201	USA	060				---	---	18753-0656	22120-0001	---	18753-0657	---	---	---	---	---	---	---	---	---	---	---
22400-0301	USA	060				---	---	18753-0656	22120-0001	---	18753-0657	---	---	---	---	---	---	---	---	---	---	---
22410-204	UK	080	1" BSP	Flange	x	SK236	SK236	890	17937-0001	SP2701-21	SP1003-09	3255	SP1004-10	SP2700-48	---	---	---	---	---	---	---	---
22620	UK	020	Ø 25 Hose	Crank		SK346	SK346	1985-01	673-0001	SP6080-08	SP1004-09	2907-0001	SP1002-01	---	---	---	---	---	---	---	22624	
22690-200	UK	080	1" BSP	Foot	Salt Water	SK344	SK344	11746	17937-0001	21849	SP1005-03	934	SP1004-09	---	---	---	---	---	---	---	11745 (Div PI)	10494
22690-200	UK	270	2" BSP	Foot	Fresh Water	SK344	SK344	816	21676-0001	21849	SP1005-03	6988	SP1005-04	SP2701-54	SP2601-37	SP2700-49	---	---	---	---	---	11744-200
22740-0151	UK	060	Ø 32 Hose	Crank		SK331-05	SK331-05	3298	22120-0001	SP6080-08	SP8019-01	22308	SP1004-10	---	---	---	---	---	---	---	---	22304-01
22740-0201	UK	060	Ø 32 Hose	Crank		SK331-0251	SK331-0251	3298	22120-0001	SP2701-21	SP8019-01	22318	SP1004-11	---	---	---	---	---	---	---	---	22304-01
22740-0251	UK	060	Ø 32 Hose	Crank	x	SK331-0251	SK331-0251	3298	22120-0001	SP2701-21	SP8019-01	22308	SP1004-10	---	---	---	---	---	---	---	---	22304-01
22740-0301	UK	060	1" Flanged	Crank	x	SK331-05	SK331-05	3298	22120-0001	SP2701-21	SP8019-01	22318	SP1004-11	---	---	---	---	---	---	---	---	22304-01
22740-0351	UK	060	Ø 32 Hose	Crank		SK331-05	SK331-05	3298	22120-0001	SP2701-21	SP8019-01	22308	SP1004-10	---	---	---	---	---	---	---	---	22304-01
22740-0451	UK	060	Ø 32 Hose	Crank		SK331-05	SK331-05	3298	22120-0001	SP2701-21	SP1002-01	22308	SP1004-10	---	---	---	---	---	---	---	---	22304-01
22750-05	UK	060	Ø 32 Hose	Crank	x	SK331-05	SK331-05	3298	22120-0001	SP2701-21	SP8019-01	22308	SP1004-10	---	---	---	---	---	---	---	---	22304-02
22750-1101	UK	060	Ø 32 Hose	Crank		SK331-05	SK331-05	3298	22120-0001	SP2701-21	SP8019-01	22318	SP1004-11	---	---	---	---	---	---	---	---	22304-02
22750-1151	UK	060	Ø 32 Hose	Crank	x	SK331-05	SK331-05	3298	22120-0001	SP2701-21	SP8019-01	22308	SP1004-10	---	---	---	---	---	---	---	---	22304-02
22770	UK	020	Ø 25 Hose	Crank		SK346	SK346	1985-01	673-0001	SP2701-21	SP1004-09	2907-0001	SP1002-01	---	---	---	---	---	---	---	---	22624
22770-1051	UK	060	Ø 25 Hose	Crank	x	SK346	SK346	1985-01	673-0001	SP2701-21	SP1004-09	2441	SP1002-0152	---	---	---	---	---	---	---	---	22624
22790-1101	UK	020	Ø 25 Hose	Crank		SK346	SK346	1985-01	673-0001	SP2701-21	SP1004-09	2907-0001	SP1002-01	---	---	---	---	---	---	---	---	22624
22790-1001	UK	040	3/8" BSP	Flange	x	SK350	SK350	X4020-254A	22799-0001	SP2701-04	X3075-061G	2907-0001	SP1002-09	---	---	---	---	---	---	---	---	23393
22790-1001	UK	040	3/8" BSP	Flange	Fresh Water	SK350	SK350	22798	22799-0001	SP2701-04	X3075-061G	22789-0000	SP1002-09	---	---	---	---	---	---	---	---	23393
22820-2051	UK	010	3/8" BSP	Flange	x	SK23	SK23	1189	4528-0001	SP2701-1462	SP1002-01	21233	SP1002-03	SP2701-14	Y5052-43	---	---	---	---	---	---	22824-200
22820-2101	UK	010	3/8" BSP	Flange	x	SK23	SK23	1189	4528-0001	SP2701-14	SP1002-01	2763	SP1002-03	SP2701-14	Y5052-43	---	---	---	---	---	---	22824-200
22830-2001	UK	010	3/8" BSP	Flange		SK23	SK23	1189	4528-0001	SP2701-14	SP1002-01	2763	SP1002-03	SP2700-11	Y5052-43	---	---	---	---	---	---	22834-200
22830-2051	UK	010	3/8" BSP	Flange	x	SK23	SK23	1189	4528-0001	SP2701-14	SP1002-01	21233	SP1002-0234	SP2701-14	Y5052-43	---	---	---	---	---	---	22834-200
22830-2101	UK	010	3/8" BSP	Flange		SK23	SK23	1189	4528-0001	SP2701-14	SP1002-01	2763	SP1002-03	SP2701-14	Y5052-43	---	---	---	---	---	---	22834-200
22830-2151	UK	010	3/8" BSP	Flange		SK23	SK23	1189	4528-0001	SP2701-14	SP1002-01	21233	SP1002-0234	SP2701-14	Y5052-43	---	---	---	---	---	---	22834-200
22830-2201	UK	010	3/8" BSP	Flange		SK23	SK23	1189	4528-0001	SP2701-14	SP1002-01	2763	SP1002-03	SP2701-14	Y5052-43	---	---	---	---	---	---	22834-2100
22830-2301	UK	010	3/8" BSP	Flange		SK23	SK23	1189	4528-0001	SP2701-14	SP1002-01	2763	SP1002-03	SP2701-14	Y5052-43	---	---	---	---	---	---	22834-2100
22840-2001	UK	010	3/8" BSP	Foot	x	SK23	SK23	1189	4528-0001	SP2701-14	SP1002-01	2763	SP1002-03	SP2701-14	Y5052-43	Y5016-09	---	---	---	---	---	22944-2000
22940-2051	UK	010	3/8" BSP	Foot	x	SK23	SK23	1189	4528-0001	SP2701-14	SP1002-01	21233	SP1002-0234	SP2701-14	Y5052-43	Y5016-09	---	---	---	---	---	22944-2000
22940-2053	UK	010	3/8" BSP	Foot	x	SK23-37	SK23-37	1189	4528-0003	SP2701-14	SP1002-01	21233	SP1002-0234	SP2701-14	Y5052-43	Y5016-09	---	---	---	---	---	22944-2000

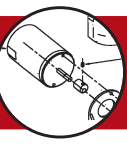




JABSCO PUMP DETAILS				SERVICE KIT DETAILS				GENERAL PARTS LISTING													
Pump Number	Origin	Pump Size	Port Type	Mount Type	Alternate Part No	Kit Number	Gasket/O Ring	Impeller	Water Seal	End Cover Screws	Cam	Cam Screw	Pump End Oil Seal	Pump End Bearing	Drive End Oil Seal	Drive End Bearing	Shaft	Wearplate	Endcover	Body	
						Key															* ODM supply only
22950-2031	UK	020	3/8" BSP	Foot	x	52020-2001	2995-0030	673-0001	SP2700-05	SP1002-02	10818	SP1002-09	SP2700-05	SP2601-39	SP2701-15	SP2601-39	22957	22806	3992	22954-2000	
22950-2037	UK	020	3/8" BSP	Foot	x	52020-2001	2995-0030	673-0003	SP2700-05	SP1002-02	10818	SP1002-09	SP2700-05	SP2601-39	SP2701-15	SP2601-39	22957	22806	3992	22954-2000	
22960-1001	UK	010	Ø 19 Hose	Foot			21646	4528-0001	SP2701-14	SP1002-09	AL8	SP1002-02	---	---	---	---	22967-0000	---	---	22964-1000	
22960-2001	UK	010	Ø 19 Hose	Foot	x		21646	4528-0001	SP2701-14	SP1002-09	AL8	SP1002-02	---	---	---	---	22967-0000	---	---	22964-1000	
23010-0131	UK	080	1" BSP	Flange	x		11746	920-0001	21849	SP1005-03	934	SP1004-09	---	---	---	---	---	2574	---	11104-03	
23010-0131	UK	270	2" Flange	Flange	Cooling		816	17936-0001	21849	SP1005-03	22039	SP1005-05	SP2700-51	---	---	---	23017-0000	4156	11745 (Div. Pl)	11744-200	
23010-0501	UK	080	1" BSP	Flange	x																
23010-0501	UK	270	2" Flange	Flange	Cooling																
23010-0531	UK	080	1" BSP	Flange	x		11746	17937-0001	21849	SP1005-03	834	SP1004-09	---	---	---	---	---	2574	---	1104-03	
23010-0531	UK	270	2" Flange	Flange	Cooling																
23020-1101	UK	060	Ø 32 Hose	Flange			816	17936-0001	21849	SP1005-03	22039	SP1005-05	---	---	---	---	---	4156	11745 (Div. Pl)	11744-200	
23050-1031	UK	020	3/8" BSP	Flange			10817	673-0001	SP2701-14	SP1002-09	10818	SP1002-02	---	---	---	---	---	---	9905	23004-02	
23060-1101	UK	020	Ø 16 Hose	Crank	x		3298	673-0001	SP6080-08	SP1002-03	2907-0001	SP1002-09	---	---	---	---	---	---	---	11474	
23060-1101	UK	060	Ø 32 Hose	Crank	Cooling		9408	22120-0001	SP6080-08	SP1002-06	22318	SP1004-11	---	---	---	---	---	---	11478 (Div. Pl)	22304-0030	
23070-1151	UK	060	Ø 32 Hose	Crank	x		3298	22120-0001	SP6080-08	SP8019-01	22308	SP1004-10	---	---	---	---	---	---	---	22304-0020	
23080-1151	UK	060	Ø 32 Hose	Flange	x		3298	22120-0001	22617-0010	SP1002-01	22308	SP1004-10	---	---	---	---	---	---	---	22308-8000	
23230-2101	UK	080	1 1/2" Flanged	Flange			890	17937-0001	22617-0010	SP1003-09	934	SP1004-09	SP2701-21	SP2601-0448	---	---	---	---	---	11604-2000	
23230-2101	UK	080	1 1/2" Flanged	Flange	New Pipework		890	17937-0001	22617-0010	SP1003-09	934	SP1004-09	SP2701-21	SP2601-0448	---	---	---	---	---	11604-2000	
23340-1001	UK	120	Ø 45 Hose	Flange			890	17018-0001	22617-0010	SP1003-09	23341-0000	SP1004-09	SP2701-54	SP2601-41	---	---	---	---	---	23344-8000	
23340-1101	UK	120	Ø 45 Hose	Flange	Respecified		890	17018-0001	22617-0010	SP1003-09	23341-0000	SP1004-09	SP2701-54	SP2601-41	---	---	---	---	---	23344-8000	
23430-1031	UK	080	Ø 32 Hose	Flange			890	17937-0001	SP2700-1027	SP1003-0111	934	SP1004-09	SP2700-1027	SP2600-01	---	---	---	---	---	23434-1000	
23430-1031	UK	080	Ø 32 Hose	Flange			890	17937-0001	SP2700-1027	SP1003-0111	23436-0000	SP1004-09	SP2700-1027	SP2600-01	---	---	---	---	---	23434-1000	
23430-1041	UK	080	Ø 32 Hose	Flange	x		890	17937-0001	SP2700-1027	SP1003-0111	3255	SP1004-11	SP2700-1027	SP2600-01	---	---	---	---	---	23434-1000	
23430-1051	UK	080	Ø 32 Hose	Flange			890	17937-0001	SP2700-1027	SP1003-0111	2431	SP1004-10	SP2700-1027	SP2600-12	---	---	---	---	---	23434-1000	
23430-1201	UK	080	Ø 32 Hose	Flange			890	17937-0001	SP2700-1027	SP1003-0111	934	SP1004-09	SP2700-1027	SP2600-12	---	---	---	---	---	23434-1000	
23430-1241	UK	080	Ø 32 Hose	Flange			890	17937-0001	SP2700-1027	SP1003-0111	3255	SP1004-11	SP2700-1027	SP2600-12	---	---	---	---	---	23434-1000	
23430-1251	UK	080	Ø 32 Hose	Flange			890	17937-0001	SP2700-1027	SP1003-0111	2431	SP1004-10	SP2700-1027	SP2600-12	---	---	---	---	---	23434-1000	
23430-1301	UK	080	Ø 32 Hose	Flange			890	17937-0001	SP2700-1027	SP1003-0111	934	SP1004-09	SP2700-1027	SP2600-01	---	---	---	---	---	23434-1000	
23430-1401	UK	080	Ø 32 Hose	Flange			890	17937-0001	SP2700-1027	SP1003-0111	934	SP1004-09	SP2700-1027	SP2600-12	---	---	---	---	---	23434-1000	
23430-1441	UK	080	Ø 32 Hose	Flange			890	17937-0001	SP2700-1027	SP1003-0111	3255	SP1004-11	SP2700-1027	SP2600-12	---	---	---	---	---	23434-1000	
23430-1501	UK	080	Ø 32 Hose	Flange			890	17937-0001	SP2700-1027	SP1003-0111	934	SP1004-09	SP2700-1027	SP2600-12	---	---	---	---	---	23434-1000	
23430-1501	UK	080	Ø 32 Hose	Flange	x		890	17937-0001	SP2700-1027	SP1003-0111	934	SP1004-09	SP2700-1027	SP2600-12	---	---	---	---	---	23434-1000	
23430-1601	UK	080	Ø 32 Hose	Flange			890	17937-0001	SP2700-1027	SP1003-0111	934	SP1004-09	SP2700-1027	SP2600-12	---	---	---	---	---	23434-1000	
23430-1641	UK	080	Ø 32 Hose	Flange			890	920-0001	SP2700-1027	SP1003-0111	934	SP1004-11	SP2700-1027	SP2600-12	---	---	---	---	---	23434-1000	
23430-1701	UK	080	Ø 32 Hose	Flange			890	17937-0001	SP2700-1027	SP1003-0111	934	SP1004-09	SP2700-1027	SP2600-12	---	---	---	---	---	23434-1000	
23480-2001	UK	080	1" BSP	Foot			890	17937-0001	22626-0000	SP1003-09	934	SP1004-09	SP2701-87	---	---	---	---	---	---	10329-200	
23580-100	UK	080	Ø 32 Hose	Crank	x		890	17937-0001	22626-0000	SP1003-09	934	SP1004-09	SP2700-48	---	---	---	---	---	---	10329-200	



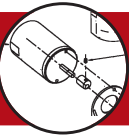
**Service Parts -** Flexible Impeller Pumps Spares by Pump Model **22950-2031 to 23580-100**



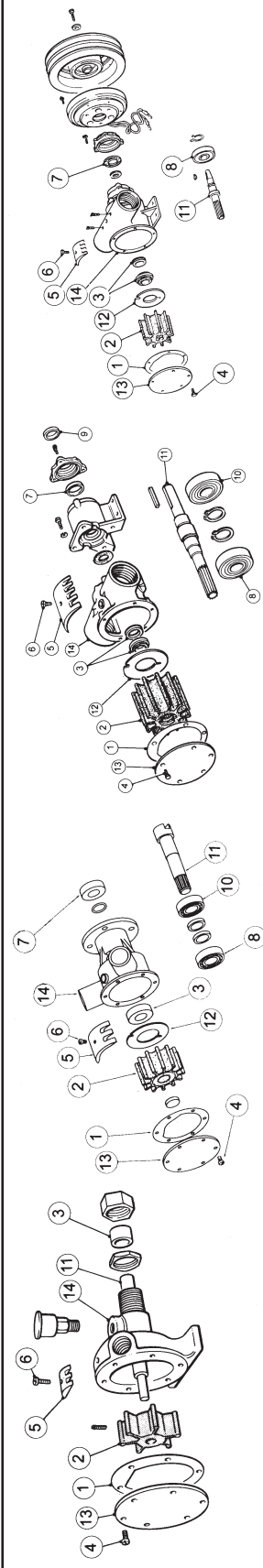
# Service Parts - Flexible Impeller Pumps Spares by Pump Model 23800-0201 to 29450-1431

# Service Parts -

JABSCO PUMP DETAILS				SERVICE KIT DETAILS				GENERAL PARTS LISTING														
Pump Number	Origin	Pump Size	Port Type	Mount Type	Alternate Part No	Kit Number	Key	Gasket/O Ring	Impeller	Water Seal	End Cover Screws	Cam	Cam Screw	Pump End Oil Seal	Pump End Bearing	Drive End Oil Seal	Drive End Bearing	Shaft	Wearplate	Endcover	Body	
																						* OEM supply only
23800-0201	UK	060	Ø 32 Hose	Crank	50410-1201	SK331-0251	3298	22120-0001	SP2701-21	SP8019-01	22318	SP1004-11	SP2701-1006	SP2701-1006	SP2601-0461	22307	22307	22307	---	---	3992	22304-01
23800-0201	USA	060	Ø 32 Hose	Crank	50410-1201	---	3298-0000	22120-0001	92700-0060	91002-0010	18753-0090	91004-0110	SP2701-1006	SP2701-1006	---	---	---	---	---	---	11830-0000	---
23800-0251	UK	060	Ø 32 Hose	Crank	50410-1251	SK331-0251	3298	22120-0001	SP2701-21	SP8019-01	22308	SP1004-10	SP2701-1006	SP2701-1006	SP2601-0461	22307	22307	22307	---	---	3992	22304-01
23800-0251	USA	060	Ø 32 Hose	Crank	50410-1251	---	3298-0000	22120-0001	96080-0080	91002-0010	22308-0000	91004-0100	SP2701-1006	SP2701-1006	---	---	---	---	---	---	11830-0000	---
23800-0301	USA	060	Ø 32 Hose	Crank	50410-1301	---	3298-0000	22120-0001	92700-0060	91002-0010	18753-0090	91004-0110	SP2701-1006	SP2701-1006	---	---	---	---	---	---	11830-0000	---
23800-0351	UK	060	Ø 32 Hose	Crank	50410-1351	SK331-0251	3298	22120-0001	SP2701-21	SP8019-01	22308	SP1004-10	SP2701-1006	SP2701-1006	SP2601-0461	22307	22307	22307	---	---	3992	22304-01
23800-0351	USA	060	Ø 32 Hose	Crank	50410-1401	---	3298-0000	22120-0001	96080-0080	91002-0010	22308-0000	91004-0100	SP2701-1006	SP2701-1006	---	---	---	---	---	---	11830-0000	---
23800-0401	UK	060	Ø 32 Hose	Crank	50410-1401	SK331-0251	3298	22120-0001	SP2701-21	SP8019-01	22318	SP1004-11	SP2701-1006	SP2701-1006	SP2601-0461	22307	22307	22307	---	---	3992	22304-01
23800-2001	UK	010	Ø 32 Hose	Flange	5K404-0001	SK404-0001	29308-0000	22405-0001	SP2701-1006	X3004-095G	29303-0000	SP1002-09	SP2701-1006	SP2701-1006	SP2601-0463	29307-0000	29307-0000	29307-0000	29306-0000	29306-0000	29305-0000	29304-2000
23800-2001	USA	010	Ø 32 Hose	Flange	5K404-0001	---	29308-0000	22405-0001	SP2701-1006	X3004-095G	29303-0000	SP1002-09	SP2701-1006	SP2701-1006	SP2601-0463	29307-0000	29307-0000	29307-0000	29306-0000	29306-0000	29305-0000	29304-2000
23800-2101C	UK	010	Ø 32 Hose	Flange	5K404-0001	SK404-0001	29308-0000	22405-0001	SP2701-1006	X3004-095G	29303-0000	SP1002-09	SP2701-1006	SP2701-1006	SP2601-0463	29307-0000	29307-0000	29307-0000	29306-0000	29306-0000	29305-0000	29304-2000
23800-2101C	USA	010	Ø 32 Hose	Flange	5K404-0001	---	29308-0000	22405-0001	SP2701-1006	X3004-095G	29303-0000	SP1002-09	SP2701-1006	SP2701-1006	SP2601-0463	29307-0000	29307-0000	29307-0000	29306-0000	29306-0000	29305-0000	29304-2000
23800-2151C	UK	010	Ø 32 Hose	Flange	5K404-0001	SK404-0001	29308-0000	22405-0001	SP2701-1006	X3004-095G	29303-0000	SP1002-09	SP2701-1006	SP2701-1006	SP2601-0463	29307-0000	29307-0000	29307-0000	29306-0000	29306-0000	29305-0000	29304-2000
23800-2151C	USA	010	Ø 32 Hose	Flange	5K404-0001	---	29308-0000	22405-0001	SP2701-1006	X3004-095G	29303-0000	SP1002-09	SP2701-1006	SP2701-1006	SP2601-0463	29307-0000	29307-0000	29307-0000	29306-0000	29306-0000	29305-0000	29304-2000
23800-2201	UK	010	Ø 32 Hose	Flange	5K404-0001	SK404-0001	29308-0000	22405-0001	SP2701-1006	X3004-095G	29303-0000	SP1002-09	SP2701-1006	SP2701-1006	SP2601-0463	29307-0000	29307-0000	29307-0000	29306-0000	29306-0000	29305-0000	29304-2000
23800-2201	USA	010	Ø 32 Hose	Flange	5K404-0001	---	29308-0000	22405-0001	SP2701-1006	X3004-095G	29303-0000	SP1002-09	SP2701-1006	SP2701-1006	SP2601-0463	29307-0000	29307-0000	29307-0000	29306-0000	29306-0000	29305-0000	29304-2000
23800-2301	UK	010	Ø 32 Hose	Flange	5K404-0001	SK404-0001	29308-0000	22405-0001	SP2701-1006	X3004-095G	29303-0000	SP1002-09	SP2701-1006	SP2701-1006	SP2601-0463	29307-0000	29307-0000	29307-0000	29306-0000	29306-0000	29305-0000	29304-2000
23800-2301	USA	010	Ø 32 Hose	Flange	5K404-0001	---	29308-0000	22405-0001	SP2701-1006	X3004-095G	29303-0000	SP1002-09	SP2701-1006	SP2701-1006	SP2601-0463	29307-0000	29307-0000	29307-0000	29306-0000	29306-0000	29305-0000	29304-2000
23800-2401C	UK	010	Ø 32 Hose	Flange	5K404-0001	SK404-0001	29308-0000	22405-0001	SP2701-1006	X3004-095G	29303-0000	SP1002-09	SP2701-1006	SP2701-1006	SP2601-0463	29307-0000	29307-0000	29307-0000	29306-0000	29306-0000	29305-0000	29304-2000
23800-2401C	USA	010	Ø 32 Hose	Flange	5K404-0001	---	29308-0000	22405-0001	SP2701-1006	X3004-095G	29303-0000	SP1002-09	SP2701-1006	SP2701-1006	SP2601-0463	29307-0000	29307-0000	29307-0000	29306-0000	29306-0000	29305-0000	29304-2000
23800-2501	UK	010	Ø 32 Hose	Flange	5K404-0001	SK404-0001	29308-0000	22405-0001	SP2701-1006	X3004-095G	29303-0000	SP1002-09	SP2701-1006	SP2701-1006	SP2601-0463	29307-0000	29307-0000	29307-0000	29306-0000	29306-0000	29305-0000	29304-2000
23800-2501	USA	010	Ø 32 Hose	Flange	5K404-0001	---	29308-0000	22405-0001	SP2701-1006	X3004-095G	29303-0000	SP1002-09	SP2701-1006	SP2701-1006	SP2601-0463	29307-0000	29307-0000	29307-0000	29306-0000	29306-0000	29305-0000	29304-2000
23800-2601C	UK	010	Ø 32 Hose	Flange	5K404-0001	SK404-0001	29308-0000	22405-0001	SP2701-1006	X3004-095G	29303-0000	SP1002-09	SP2701-1006	SP2701-1006	SP2601-0463	29307-0000	29307-0000	29307-0000	29306-0000	29306-0000	29305-0000	29304-2000
23800-2601C	USA	010	Ø 32 Hose	Flange	5K404-0001	---	29308-0000	22405-0001	SP2701-1006	X3004-095G	29303-0000	SP1002-09	SP2701-1006	SP2701-1006	SP2601-0463	29307-0000	29307-0000	29307-0000	29306-0000	29306-0000	29305-0000	29304-2000
23800-2731C	UK	010	Ø 32 Hose	Flange	5K404-0001	SK404-0001	X4020-244A	22405-0001	SP2701-1006	X3001-095F	Not fitted	Not fitted	Not fitted	Not fitted	SP2601-0463	29307-0030	29307-0030	29307-0030	29306-0000	29306-0000	29305-0100	29304-2100
23800-2731C	USA	010	Ø 32 Hose	Flange	5K404-0001	---	X4020-244A	22405-0001	SP2701-1006	X3001-095F	Not fitted	Not fitted	Not fitted	Not fitted	SP2601-0463	29307-0030	29307-0030	29307-0030	29306-0000	29306-0000	29305-0100	29304-2100
23800-2801C	UK	010	Ø 20 Hose	Flange	5K23-0101	SK23-0101	1126	4528-0001	SP2701-14	SP1002-01	2763	SP1002-02	SP2701-14	SP2701-14	SP2601-0459	29357-0000	29357-0000	29357-0000	2765	2765	AL6-200	29354-1000
23800-2801C	USA	010	Ø 20 Hose	Flange	5K23-0101	---	1126	4528-0001	SP2701-14	SP1002-01	2763	SP1002-02	SP2701-14	SP2701-14	SP2601-0459	29357-0000	29357-0000	29357-0000	2765	2765	AL6-200	29354-1000
29400-1001	UK	020	Ø 20 Hose	Flange	5K404-0001	SK404-0001	29308-0000	22405-0001	SP2701-1006	X3004-095G	2907-0001	SP1002-02	SP2701-1006	SP2701-1006	SP2601-0457	29457-0010	29457-0010	29457-0010	---	---	3992	29404-1100
29400-1001	USA	020	Ø 20 Hose	Flange	5K404-0001	---	29308-0000	22405-0001	SP2701-1006	X3004-095G	2441	SP1002-02	SP2701-1006	SP2701-1006	SP2601-0457	29457-0010	29457-0010	29457-0010	---	---	3992	29404-1100
29400-1101	UK	020	Ø 20 Hose	Flange	5K404-0001	SK404-0001	29308-0000	22405-0001	SP2701-1006	X3004-095G	2907-0001	SP1002-02	SP2701-1006	SP2701-1006	SP2601-0457	29467-0000	29467-0000	29467-0000	---	---	3992	29404-1100
29400-1101	USA	020	Ø 20 Hose	Flange	5K404-0001	---	29308-0000	22405-0001	SP2701-1006	X3004-095G	2441	SP1002-02	SP2701-1006	SP2701-1006	SP2601-0457	29467-0000	29467-0000	29467-0000	---	---	3992	29404-1100
29410-1101	UK	020	Ø 20 Hose	Flange	5K404-0001	SK404-0001	29308-0000	22405-0001	SP2701-1006	X3004-095G	2907-0001	SP1002-02	SP2701-1006	SP2701-1006	SP2601-0463	29417-0100	29417-0100	29417-0100	---	---	3992	29414-1100
29410-1101	USA	020	Ø 20 Hose	Flange	5K404-0001	---	29308-0000	22405-0001	SP2701-1006	X3004-095G	2907-0001	SP1002-02	SP2701-1006	SP2701-1006	SP2601-0463	29417-0100	29417-0100	29417-0100	---	---	3992	29414-1100
29440-1001	UK	020	Ø 25 Hose	Crank	5K402-0001	SK402-0001	1985-0000	18653-0001	29441-0000	SP1004-09	2441	SP1002-02	SP2600-09	SP2600-09	---	29447-0000	29447-0000	29447-0000	---	---	9328	29444-1000
29440-1001	USA	020	Ø 25 Hose	Crank	5K402-0001	---	1985-0000	18653-0001	29441-0000	SP1004-09	2441	SP1002-02	SP2600-09	SP2600-09	---	29447-0000	29447-0000	29447-0000	---	---	9328	29444-1000
29440-1101	UK	020	Ø 25 Hose	Crank	5K402-0001	SK402-0001	1985-0000	18653-0001	29441-0000	SP1004-09	2907-0001	SP1002-02	SP2600-09	SP2600-09	---	29447-0000	29447-0000	29447-0000	---	---	9328	29444-1000
29440-1101	USA	020	Ø 25 Hose	Crank	5K402-0001	---	1985-0000	18653-0001	29441-0000	SP1004-09	2907-0001	SP1002-02	SP2600-09	SP2600-09	---	29447-0000	29447-0000	29447-0000	---	---	9328	29444-1000
29450-1101	UK	020	Ø 20 Hose	Flange	5K387-0001	SK387-0001	2995-0030	673-0001	SP2700-05	SP1002-01	2907-0001	SP1002-02	SP2700-05	SP2700-05	SP2601-0457	29457-0020	29457-0020	29457-0020	---	---	3992	29454-1200
29450-1101	USA	020	Ø 20 Hose	Flange	5K387-0001	---	2995-0030	673-0001	SP2700-05	SP1002-01	2907-0001	SP1002-02	SP2700-05	SP2700-05	SP2601-0457	29457-0020	29457-0020	29457-0020	---	---	3992	29454-1200
29450-1231	UK	020	Ø 20 Hose	Flange	5K387-0001	SK387-0001	2995-0030	673-0001	SP2700-05	SP1002-01	10818	SP1002-02	SP2700-05	SP2700-05	SP2601-0457	29457-0020	29457-0020	29457-0020	---	---	3992	29454-1300



JABSCO PUMP DETAILS				SERVICE KIT DETAILS				GENERAL PARTS LISTING												
Pump Number	Origin	Pump Size	Port Type	Mount Type	Alternate Part No	Kit Number	Gasket/ O Ring	Impeller	Water Seal	End Cover Screws	Cam	Cam Screw	Pump End Oil Seal	Pump End Bearing	Drive End Oil Seal	Drive End Bearing	Shaft	Wearplate	Endcover	Body
					Obslete	Key	1	2	3	4	5	6	7	8	9	10	11	12	13	14
29450-1601	UK	020	Ø 20 Hose	Flange			X5251-049	653-0001	SP2701-1006	X3001-174F	Not fitted	Not fitted	SP2701-1006	SP2601-0457	SP2601-0457	29457-0040			29405-0000	29454-1800
29450-1641	UK	020	Ø 20 Hose	Flange			2995-0030	653-0001	SP2701-1006	SP1002-02	2907-0001	SP1002-02	SP2701-1006	SP2601-0457	SP2601-0457	29457-0040			3992	29454-1600
29450-1701	UK	020	Ø 20 Hose	Flange			X5251-049	653-0001	SP2701-1006	X3001-174F	Not fitted	Not fitted	SP2701-1006	SP2601-0457	SP2601-0457	29457-0040			29405-0000	29454-1700
29450-1801	UK	020	Ø 20 Hose	Flange			2995-0030	653-0001	SP2701-1006	SP1002-01	2907-0001	SP1002-02	SP2701-1006	SP2601-0457	SP2601-0457	29457-0060			3992	29454-1610
29450-2131	UK	020	3/8" BSP	Flange			2995-0030	18653-0001	SP2701-1006	SP1002-01	10818	SP1002-02	SP2701-1006	SP2601-0457	SP2601-0457	29457-0030			3992	29454-1500
29460-1041	UK	020	Ø 20 Hose	Flange	x		2995-0030	18653-0001	SP2701-1006	SP1002-01	10818	SP1002-02	SP2701-1006	SP2601-0457	SP2601-0457	29467-0000			3992	29454-1400
29460-1051	UK	020	Ø 20 Hose	Flange			X5251-049	653-0001	SP2701-1006	X3001-174F	Not fitted	Not fitted	SP2701-1006	SP2601-0457	SP2601-0457	29467-0000			29405-0000	29454-1940
29460-1081	UK	020	Ø 20 Hose	Flange			2995-0030	18653-0001	SP2701-1006	SP1002-02	2907-0001	SP1002-02	SP2701-1006	SP2601-0457	SP2601-0457	29467-0000			29405-0000	29454-1950
29460-1101	UK	020	Ø 20 Hose	Flange	x		2995-0030	18653-0001	SP2701-1006	SP1002-01	2907-0001	SP1002-02	SP2701-1006	SP2601-0457	SP2601-0457	29467-0000			3992	29464-1100
29460-1201	UK	020	Ø 20 Hose	Flange			2995-0030	18653-0001	SP2701-1006	SP1002-01	2907-0001	SP1002-02	SP2701-1006	SP2601-0457	SP2601-0457	29467-0000			3992	29464-1100
29460-1251	UK	020	Ø 20 Hose	Flange			2995-0030	18653-0001	SP2701-1006	SP1002-01	2907-0001	SP1002-02	SP2701-1006	SP2601-0457	SP2601-0457	29467-0000			3992	29464-1100
29460-1261	UK	020	Ø 20 Hose	Flange			2995-0030	653-0001	SP2701-1006	SP1002-01	29462-0000	SP1002-02	SP2701-1006	SP2601-0457	SP2601-0457	29467-0000			3992	29464-1100
29460-1301	UK	020	Ø 20 Hose	Flange			2995-0030	18653-0001	SP2701-1006	SP1002-01	2907-0001	SP1002-02	SP2701-1006	SP2601-0457	SP2601-0457	29467-0000			3992	29464-1300
29460-1401	UK	020	Ø 20 Hose	Flange			2995-0030	18653-0001	SP2701-1006	SP1002-01	2907-0001	SP1002-02	SP2701-1006	SP2601-0457	SP2601-0457	29467-0000			3992	29464-1200
29460-1431	UK	020	Ø 20 Hose	Flange			2995-0030	18653-0001	SP2701-1006	SP1002-01	10818	SP1002-02	SP2701-1006	SP2601-0457	SP2601-0457	29467-0010			29405-0000	29454-1301
29460-1631	UK	020	Ø 20 Hose	Flange			X5251-049	18653-0001	SP2701-1006	X3001-174F	Not fitted	Not fitted	SP2701-1006	SP2601-0457	SP2601-0457	29467-0010			3992	29464-1200
29470-1101	UK	020	Ø 16 Hose	Flange	x		29476-0000	18653-0001	SP2701-1006	X3004-095G	2907-0001	SP1002-02	SP2701-1006	SP2601-0463	SP2601-0463	29477-0020			29475-0000	29474-1000
29470-1231	UK	020	Ø 16 Hose	Flange			29476-0000	18653-0001	SP2701-1006	X3004-095G	10818	SP1002-02	SP2701-1006	SP2601-0463	SP2601-0463	29477-0020			29475-0000	29474-1000
29470-2131C	UK	020	Ø 16 Hose	Flange			29476-0000	18653-0001	SP2701-1006	X3004-095G	10818	SP1002-02	SP2701-1006	SP2601-0463	SP2601-0463	29477-0020			29475-0000	29474-1000
29470-2031C	UK	020	3/8" BSP	Flange			29476-0000	18653-0001	SP2701-1006	X3004-095G	10818	SP1002-02	SP2701-1006	SP2601-0463	SP2601-0463	29477-0020			29475-0000	29474-2000
29470-2201C	UK	020	3/8" BSP	Flange			29476-0000	18653-0001	SP2701-1006	X3004-095G	10818	SP1002-02	SP2701-1006	SP2601-0463	SP2601-0463	29477-0020			29475-0000	29474-2000
29470-2231C	UK	020	3/8" BSP	Flange			29476-0000	18653-0001	SP2701-1006	X3004-095G	10818	SP1002-02	SP2701-1006	SP2601-0463	SP2601-0463	29477-0020			29475-0000	29474-2000
29470-2301C	UK	020	3/8" BSP	Flange			29476-0000	18653-0001	SP2701-1006	X3004-095G	2907-0001	SP1002-02	SP2701-1006	SP2601-0463	SP2601-0463	29477-0030			29475-0000	29474-2000
29470-2331C	UK	020	3/8" BSP	Flange			29476-0000	18653-0001	SP2701-1006	X3004-095G	10818	SP1002-02	SP2701-1006	SP2601-0463	SP2601-0463	29477-0030			29475-0000	29474-2000
29470-2351C	UK	020	3/8" BSP	Flange			29476-0000	18653-0001	SP2701-1006	X3004-095G	2441	SP1002-01	SP2701-1006	SP2601-0463	SP2601-0463	29477-0030			29475-0000	29474-2000
29470-2351C	UK	020	3/8" BSP	Flange			29476-0000	18653-0001	SP2701-1006	X3004-095G	2441	SP1002-01	SP2701-1006	SP2601-0463	SP2601-0463	29477-0030			29475-0000	29474-2000
29470-2431C	UK	020	3/8" BSP	Flange			29476-0000	18653-0001	SP2701-1006	X3004-095G	10818	SP1002-02	SP2701-1006	SP2601-0463	SP2601-0463	29477-0040			29475-0000	29474-2000
29470-2531C	UK	020	3/8" BSP	Flange			29476-0000	18653-0001	SP2701-1006	X3004-095G	10818	SP1002-02	SP2701-1006	SP2601-0463	SP2601-0463	29477-0020			29475-0000	29474-2000
29470-2531C	UK	020	3/8" BSP	Flange			29476-0000	18653-0001	SP2701-1006	X3004-095G	10818	SP1002-02	SP2701-1006	SP2601-0463	SP2601-0463	29477-0020			29475-0000	29474-2000



Service Parts - Flexible Impeller Pumps Spares by Pump Model 29450-1601 to 29470-2531C

# Service Parts -

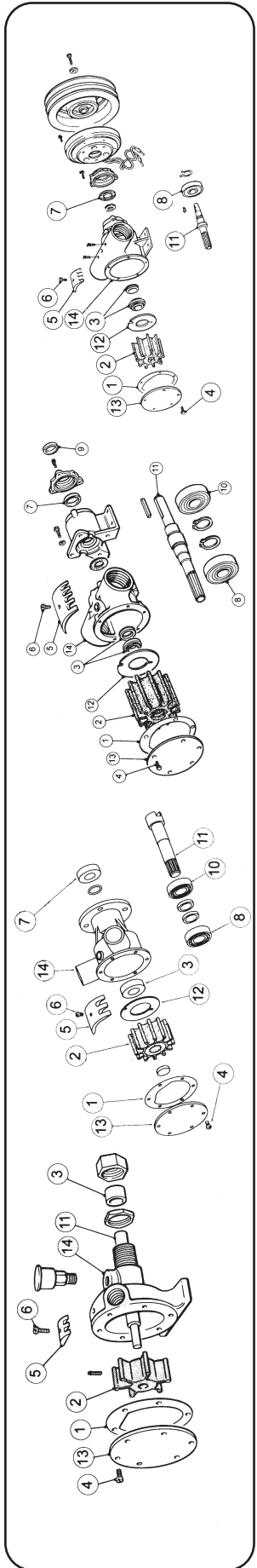
Flexible Impeller Pumps Spares by  
Pump Model **29480-2031 to 29700-1301**

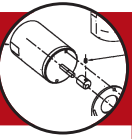
11

www.jabasco.com

JABSCO

JABSCO PUMP DETAILS				SERVICE KIT DETAILS				GENERAL PARTS LISTING														
Pump Number	Origin	Pump Size	Port Type	Mount Type	Alternate Part No	Kit Number	Key	Gasket/O Ring	Impeller	Water Seal	End Cover Screws	Cam	Cam Screw	Pump End Oil Seal	Pump End Bearing	Drive End Oil Seal	Drive End Bearing	Shaft	Wearplate	Endcover	Body	
				Obsolete																		* OEM supply only
29480-2031	UK	020	3/8" BSP	Flange		SK405-0001		29476-0000	18653-0001	SP2701-1006	X3004-095G	10818	SP1002-02	SP2701-1006	SP2601-0463	SP2601-0463	29487-0000	29484-2000	---	---	29475-0000	29484-2000
29480-2031C	UK	020	3/8" BSP	Flange		SK405-0001		29476-0000	18653-0001	SP2701-1006	X3004-095G	10818	SP1002-02	SP2701-1006	SP2601-0463	SP2601-0463	29487-0000	29484-2000	---	---	29475-0000	29484-2000
29480-2131	UK	020	3/8" BSP	Flange		SK405-0001		29476-0000	18653-0001	SP2701-1006	X3004-095G	2441	SP1002-01	SP2701-1006	SP2601-0463	SP2601-0463	29486-0000	29484-2000	---	---	29475-0000	29484-2000
29480-2231	UK	020	3/8" BSP	Flange	x	SK405-0001		29476-0000	18653-0001	SP2701-1006	X3004-095G	10818	SP1002-02	SP2701-1006	SP2601-0463	SP2601-0463	29486-0000	29484-2000	---	---	29475-0000	29484-2000
29480-2231C	UK	020	3/8" BSP	Flange		SK405-0001		29476-0000	18653-0001	SP2701-1006	X3004-095G	10818	SP1002-02	SP2701-1006	SP2601-0463	SP2601-0463	29486-0000	29484-2000	---	---	29475-0000	29484-2000
29480-2431	UK	020	3/8" BSP	Flange		SK405-0001		29476-0000	18653-0001	SP2701-1006	X3004-095G	10818	SP1002-02	SP2701-1006	SP2601-0463	SP2601-0463	29487-0100	29484-2000	---	---	29475-0000	29484-2000
29490-2001C	UK	020	3/8" BSP	Flange		SK405-0001		29476-0000	18653-0001	SP2701-1006	X3004-095G	10818	SP1002-02	SP2701-1006	SP2601-0463	SP2601-0463	29497-0000	29494-2000	---	---	29475-0000	29494-2000
29500	UK	040	Ø 28 Hose	Flange	x	SK384-0001		3298	1210-0001	SP2700-1027	SP1002-02	490	SP1003-01	SP2700-1027	SP2601-0451	SP2601-0451	29508-0000	29504-1000	7883	3992	3992	29504-1000
29500-1001	UK	040	Ø 28 Hose	Flange		SK384-0001		3298	1210-0001	SP2700-1027	SP1002-02	490	SP1003-01	SP2700-1027	SP2601-0451	SP2601-0451	29508-0000	29504-1000	7883	3992	3992	29504-1000
29500-1101	UK	040	Ø 28 Hose	Flange	x	SK384-0001		3298	1210-0001	SP2700-1027	SP1002-02	490	SP1003-01	SP2700-1027	SP2601-0451	SP2601-0451	29517-0000	29504-1000	7883	3992	3992	29504-1000
29500-1201	UK	040	Ø 28 Hose	Flange		SK384-0001		3298	1210-0001	SP2700-1027	SP1002-02	490	SP1003-01	SP2700-1027	SP2601-0451	SP2601-0451	29518-0000	29504-1000	7883	3992	3992	29504-1000
29500-1251	UK	040	Ø 28 Hose	Flange		SK384-0001		3298	1210-0001	SP2700-1027	SP1002-02	10336	SP1003-09	SP2700-1027	SP2601-0451	SP2601-0451	29518-0000	29504-1000	7883	3992	3992	29504-1000
29500-1351	UK	040	Ø 28 Hose	Flange		SK384-0001		3298	1210-0001	SP2700-1027	SP1002-02	10336	SP1003-09	SP2700-1027	SP2601-0451	SP2601-0451	29518-0000	29504-1000	7883	3992	3992	29504-1000
29500-1401	UK	040	Ø 28 Hose	Flange		SK384-0001		3298	1210-0001	SP2700-1027	SP1002-02	490	SP1003-01	SP2700-1027	SP2601-0451	SP2601-0451	29503-0000	29504-1000	7883	3992	3992	29504-1000
29500-1451	UK	040	Ø 28 Hose	Flange	x	SK384-0001		3298	1210-0001	SP2700-1027	SP1002-02	10336	SP1003-09	SP2700-1027	SP2601-0451	SP2601-0451	29503-0000	29504-1000	7883	3992	3992	29504-1000
29500-1501	UK	040	Ø 28 Hose	Flange		SK384-0001		3298	1210-0001	SP2700-1027	SP1002-02	490	SP1003-01	SP2700-1027	SP2601-0451	SP2601-0451	29516-0000	29504-1000	7883	3992	3992	29504-1000
29500-1901	UK	040	Ø 28 Hose	Flange		SK384-0001		3298	1210-0001	SP2700-1027	SP1002-02	490	SP1003-01	SP2700-1027	SP2601-0451	SP2601-0451	29507-0000	29504-1000	7883	3992	3992	29504-1000
29500-2001	UK	040	Ø 28 Hose	Flange	x	SK384-0001		3298	1210-0001	SP2700-1027	SP1002-02	490	SP1003-01	SP2700-1027	SP2601-0451	SP2601-0451	29527-0000	29504-1000	7883	3992	3992	29504-1000
29520-2001	UK	040	1/2" BSP	Flange		SK239		3298	1210-0001	22617-0010	SP1002-02	490	SP1003-01	SP2701-21	SP2600-01	SP2600-01	29527-0000	10554-200	7883	3992	3992	10554-200
29530-2001	UK	040	1/2" BSP	Crank				3298	1210-0001	SP2700-1027	X3001-095F	490	SP1003-01	---	SP2600-0025	SP2600-0025	29537-0000	29534-2000	7883	29535-0000	---	29534-2000
29540-1001	UK	040	Ø 32 Hose	Bracket				3298	1210-0001	SP2700-1027	X3001-095F	490	SP1003-01	---	SP601-0451	SP601-0451	29547-0100	29544-1000	---	---	29545-1101	29544-1000
29540-1101	UK	040	Ø 32 Hose	Flange				3298	1210-0001	SP2700-1027	X3001-095F	490	SP1003-01	---	SP601-0451	SP601-0451	29547-0100	29544-1000	---	---	29545-1101	29544-1000
29540-1201	UK	040	Ø 32 Hose	Bracket				3298	1210-0001	SP2700-1027	X3001-095F	490	SP1003-01	---	SP601-0451	SP601-0451	29547-0100	29544-1000	---	---	29545-1201	29544-1000
29540-1301	UK	040	Ø 32 Hose	Flange				3298	1210-0001	SP2700-1027	X3001-095F	490	SP1003-01	---	SP601-0451	SP601-0451	29547-0100	29544-1000	---	---	29545-1201	29544-1000
29540-1401	UK	040	Ø 32 Hose	Flange	New Pipework	SK385-0101		890	17937-0001	SP6080-0469	SP1003-0111	934	SP1004-09	SP2700-1027	SP2600-0500	SP2600-0500	29600-1000	29604-1000	4156	3993	3993	29604-1000
29540-1501	UK	080	Ø 32 Hose	Flange		SK385-0101		890	17937-0001	SP6080-0469	SP1003-0111	934	SP1004-09	SP2700-1027	SP2600-0500	SP2600-0500	29606-0000	29604-1000	4156	3993	3993	29604-1000
29540-1601	UK	080	Ø 32 Hose	Flange		SK385-0101		890	17937-0001	SP6080-0469	SP1003-0111	934	SP1004-09	SP2700-1027	SP2600-0500	SP2600-0500	29606-0000	29604-1000	4156	3993	3993	29604-1000
29540-1701	UK	080	Ø 32 Hose	Flange		SK385-0601		890	920-0001	SP6080-0469	SP1003-0111	3255	SP1004-11	SP2700-1027	SP2600-0500	SP2600-0500	29609-0000	29604-1300	4156	3993	3993	29604-1300
29540-1801	UK	080	Ø 32 Hose	Flange		SK385-0101		890	17937-0001	SP6080-0469	SP1003-0111	934	SP1004-09	SP6080-0469	SP2600-0500	SP2600-0500	29609-0100	29604-1300	4156	3993	3993	29604-1300
29540-2001	UK	080	1" BSP	Flange		SK229		890	17937-0001	22617-0010	SP1003-09	934	SP1004-09	SP2701-21	SP2600-01	SP2600-01	10329-200	10329-200	4156	3993	3993	10329-200
29600-1001	UK	080	Ø 32 Hose	Flange		SK385-0601		890	920-0001	SP6080-0469	SP1003-0111	934	SP1004-09	SP2700-1027	SP2601-0468	SP2601-0468	29634-1000	29634-1000	4156	3993	3993	29634-1000
29600-1101	UK	080	Ø 32 Hose	Flange		SK385-0601		890	920-0001	SP6080-0469	SP1003-0111	3255	SP1004-09	SP2700-1027	SP2601-0468	SP2601-0468	29634-1000	29634-1000	4156	3993	3993	29634-1000
29600-1141	UK	080	Ø 32 Hose	Flange		SK385-0101		890	17937-0001	SP6080-0469	SP1003-0111	934	SP1004-09	SP2700-1027	SP2600-0500	SP2600-0500	29637-0000	29604-1000	4156	3993	3993	29604-1000
29600-1201	UK	080	Ø 32 Hose	Flange		SK385-0101		890	17937-0001	SP6080-0469	SP1003-0111	934	SP1004-09	SP2700-1027	SP2600-0500	SP2600-0500	29637-0000	29604-1000	4156	3993	3993	29604-1000
29600-1301	UK	080	Ø 32 Hose	Flange		SK385-0101		890	17937-0001	SP6080-0469	SP1003-0111	934	SP1004-09	SP2700-1027	SP2600-0500	SP2600-0500	29647-0000	29604-1300	4156	3993	3993	29604-1300
29630-1001	UK	080	Ø 32 Hose	Flange		SK385-0601		890	920-0001	SP6080-0469	SP1003-0111	23341-0000	SP1004-09	SP2701-0903	SP2600-11	SP2600-11	29704-1200	29704-1200	4156	3993	3993	29704-1200
29630-1101	UK	080	Ø 32 Hose	Flange		SK385-0601		890	17018-0001	SP6080-0469	SP1003-0111	23341-0000	SP1004-09	SP2701-0903	SP2600-11	SP2600-11	29708-0000	29708-0000	4156	3993	3993	29708-0000
29640-1001	UK	080	Ø 32 Hose	Flange		SK386-0001		890	17018-0001	SP6080-0469	SP1003-0111	23341-0000	SP1004-09	SP2701-0903	SP2600-11	SP2600-11	29707-0000	29707-0000	4156	3993	3993	29707-0000
29640-1101	UK	080	Ø 32 Hose	Flange		SK386-0001		890	17018-0001	SP6080-0469	SP1003-0111	23341-0000	SP1004-09	SP2701-0903	SP2600-11	SP2600-11	29707-0000	29707-0000	4156	3993	3993	29707-0000
29640-1201	UK	120	Ø 45 Hose	Flange		SK386-0001		890	17018-0001	SP6080-0469	SP1003-0111	23341-0000	SP1004-09	SP2701-0903	SP2600-11	SP2600-11	29707-0000	29707-0000	4156	3993	3993	29707-0000
29700-1201	UK	120	Ø 45 Hose	Flange		SK386-0001		890	17018-0001	SP6080-0469	SP1003-0111	23341-0000	SP1004-09	SP2701-0903	SP2600-11	SP2600-11	29707-0000	29707-0000	4156	3993	3993	29707-0000
29700-1301	UK	120	Ø 45 Hose	Flange		SK386-0001		890	17018-0001	SP6080-0469	SP1003-0111	23341-0000	SP1004-09	SP2701-0903	SP2600-11	SP2600-11	29707-0000	29707-0000	4156	3993	3993	29707-0000





JABSCO PUMP DETAILS				SERVICE KIT DETAILS				GENERAL PARTS LISTING													
Pump Number	Origin	Pump Size	Port Type	Mount Type	Alternate Part No	Kit Number	Gasket/O Ring	Impeller	Water Seal	End Cover Screws	Cam	Cam Screw	Pump End Oil Seal	Pump End Bearing	Drive End Oil Seal	Drive End Bearing	Shaft	Wearplate	Endcover	Body	
						Key															* OEM supply only
29700-1331	UK	120	Ø 45 Hose	Flange		SK386-0001	890	17018-0001	SP6080-0469	SP1003-0111	23342-0000	SP1004-09	SP2701-0903	SP2600-11	---	SP2600-11	29707-0000	4156	3993	29704-1300	
29700-1401	UK	120	Ø 45 Hose	Flange		SK386-0001	890	17018-0001	SP6080-0469	SP1003-0111	23341-0000	SP1004-09	SP2701-0903	SP2600-11	---	SP2600-11	29708-0100	4156	3993	29704-1400	
29750-1001	UK	200	Ø 38 Hose	Foot		SK424-0001	X4020-399A	836-0001	21849	X5255-002	29752-0000	SP1005-04	SP2701-1014	SP2600-11	---	SP2600-11	29757-0000	2574	29805-0000	29734-1000	
29770-0001	UK	200	1 1/2" Flanged	Flange		SK424-0001	816	17935-0001	21849	SP1095-0640	834	SP1005-04	SP2700-0050	SP2600-32	---	SP2600-32	21239-0020	2574	9336	10634	
29800-1001	UK	270	Ø 51 Hose	Foot		SK424-0001	X4020-399A	6760-0001	21849	X5255-002	29802-0000	SP1005-04	SP2701-1014	SP2600-11	---	SP2600-11	29807-0000	2574	29805-0000	29804-1000	
29830-0001	UK	300	57mm Flanged	Flange		SK424-0001	X4020-399A	17938-0111*	21849	X3001-176F	29838-0000	X3001-205F	SP2601-37	SP2601-37	---	SP2601-37	29827-0100	2574	29825-0100	29834-0000*	
29830-0101	UK	300	57mm Flanged	Flange		SK424-0001	X4020-399A	17938-0111*	21849	X3001-176F	29838-0000	X3001-205F	SP2601-37	SP2601-37	---	SP2601-37	29827-0100	2574	29825-0100	29834-0000*	
29850-0031	UK	370	2 1/2" Flanged	Flange	x	SK410	X4020-424A	17420-0001	21849	SP1094-0060	23342-0000	SP1004-09	SP2701-54	SP2601-0469	---	SP2601-0469	29857-0000	18787-6000	18784-1000	18783-0000	
29860-2001	UK	470	2 1/2" Flanged	Foot		SK410	X4020-424A	17420-0001	21849	X5255-002	29862-0000	X3001-207F	SP2701-54	SP2601-0458	---	SP2601-0458	29867-0000	29866-0000	29865-0000	29864-2000	
29860-2201	UK	470	2 1/2" Flanged	Foot		SK410	X4020-424A	17420-0001	21849	X5255-002	29862-0000	X3001-207F	SP2701-54	SP2601-0458	---	SP2601-0458	29867-0000	29866-0000	29865-0000	29864-2000	
29870-2001	UK	470	2 1/2" Flanged	Foot		SK410	X4020-424A	17420-0001	21849	X5255-002	29862-0200	X3001-207F	SP2701-54	SP2601-0458	---	SP2601-0458	29867-0000	29866-0000	29865-0000	29864-2000	
29870-2101	UK	470	2 1/2" Flanged	Foot		SK410	X4020-424A	17420-0001	21849	X5255-002	29862-0200	X3001-207F	SP2701-54	SP2601-0458	---	SP2601-0458	29867-0000	29866-0000	29865-0000	29864-2000	
29880-0001	UK	470	2 1/2" Flanged	Flange	Respecified	SK410	X4020-424A	17420-0001	21849	X3001-180F	29862-0100	X3001-207F	SP2701-54	SP2601-0469	---	SP2601-0469	29887-0000	29886-0000	29885-0000	29884-0000	
29880-0101	UK	470	2 1/2" Flanged	Flange	29890-0101	SK410	X4020-424A	17420-0001	21849	X3001-180F	29862-0100	X3001-207F	SP2701-54	SP2601-0469	---	SP2601-0469	29887-0100	29886-0000	29885-0000	29884-0000	
29890-0001	UK	470	2 1/2" Flanged	Flange		SK410	X4020-424A	17420-0001	21849	X3001-180F	29862-0100	X3001-207F	SP2701-54	SP2601-0469	---	SP2601-0469	29887-0100	29886-0000	29885-0000	29884-0000	
30190-0000	USA	130	1 1/2" Flanged	Flange		SK410	92000-0560	30919-0001	18753-0342	18753-0495	30192-0000	---	---	---	---	---	18753-0521	30193	30914-1000	Proprietary	
30190-0001	USA	130	1 1/2" Flanged	Flange		SK410	92000-0560	30919-0001	18753-0342	18753-0495	30192-0000	---	---	---	---	---	18753-0521	30193	30914-1000	Proprietary	
30410-9001	USA	040	1 1/2" NPT	Flange		SK410	18753-0133	1210-0001	96080-0080	18753-0495	30192-0000	---	---	---	---	---	18753-0521	30193	30914-1000	Proprietary	
30890-0001	USA	130	2" Hose	Flange		SK410	18753-0343	30919-0001	18753-0342	18753-0495	30929-1000	18753-0495	---	18753-0521	---	18753-0521	30903-1000	30915-1000	30914-1000	30914-1000	
30890-0051	USA	130	2" Hose	Flange		SK410	18753-0343	30919-0001	18753-0342	18753-0495	30929-1000	18753-0495	---	18753-0521	---	18753-0521	30903-1000	30915-1000	30914-1000	30914-1000	
30891-0001	USA	130	2" Hose	Flange		SK410	18753-0343	30919-0001	18753-0342	18753-0495	30929-1000	18753-0495	---	18753-0521	---	18753-0521	30903-1000	30915-1000	30914-1000	30914-1000	
30891-0002	USA	130	2" Hose	Flange		SK410	18753-0343	30919-0001	18753-0342	18753-0495	30929-1000	18753-0495	---	18753-0521	---	18753-0521	30903-1000	30915-1000	30914-1000	30914-1000	
30891-0003	USA	130	2" Hose	Flange		SK410	18753-0343	30919-0001	18753-0342	18753-0495	30929-1000	18753-0495	---	18753-0521	---	18753-0521	30903-1000	30915-1000	30914-1000	30914-1000	
30891-0004	USA	130	2" Hose	Flange		SK410	18753-0343	30919-0001	18753-0342	18753-0495	30929-1000	18753-0495	---	18753-0521	---	18753-0521	30903-1000	30915-1000	30914-1000	30914-1000	
30891-0005	USA	130	2" Hose	Flange		SK410	18753-0343	30919-0001	18753-0342	18753-0495	30929-1000	18753-0495	---	18753-0521	---	18753-0521	30903-1000	30915-1000	30914-1000	30914-1000	
30891-0006	USA	130	2" Hose	Flange		SK410	18753-0343	30919-0001	18753-0342	18753-0495	30929-1000	18753-0495	---	18753-0521	---	18753-0521	30903-1000	30915-1000	30914-1000	30914-1000	
30891-0007	USA	130	2" Hose	Flange		SK410	18753-0343	30919-0001	18753-0342	18753-0495	30929-1000	18753-0495	---	18753-0521	---	18753-0521	30903-1000	30915-1000	30914-1000	30914-1000	
30891-0008	USA	130	2" Hose	Flange		SK410	18753-0343	30919-0001	18753-0342	18753-0495	30929-1000	18753-0495	---	18753-0521	---	18753-0521	30903-1000	30915-1000	30914-1000	30914-1000	
30891-0009	USA	130	2" Hose	Flange		SK410	18753-0343	30919-0001	18753-0342	18753-0495	30929-1000	18753-0495	---	18753-0521	---	18753-0521	30903-1000	30915-1000	30914-1000	30914-1000	
30891-0010	USA	130	2" Hose	Flange		SK410	18753-0343	30919-0001	18753-0342	18753-0495	30929-1000	18753-0495	---	18753-0521	---	18753-0521	30903-1000	30915-1000	30914-1000	30914-1000	
30891-0011	USA	130	2" Hose	Flange		SK410	18753-0343	30919-0001	18753-0342	18753-0495	30929-1000	18753-0495	---	18753-0521	---	18753-0521	30903-1000	30915-1000	30914-1000	30914-1000	
30891-0012	USA	130	2" Hose	Flange		SK410	18753-0343	30919-0001	18753-0342	18753-0495	30929-1000	18753-0495	---	18753-0521	---	18753-0521	30903-1000	30915-1000	30914-1000	30914-1000	
30891-0013	USA	130	2" Hose	Flange		SK410	18753-0343	30919-0001	18753-0342	18753-0495	30929-1000	18753-0495	---	18753-0521	---	18753-0521	30903-1000	30915-1000	30914-1000	30914-1000	
30891-0014	USA	130	2" Hose	Flange		SK410	18753-0343	30919-0001	18753-0342	18753-0495	30929-1000	18753-0495	---	18753-0521	---	18753-0521	30903-1000	30915-1000	30914-1000	30914-1000	
30891-0015	USA	130	2" Hose	Flange		SK410	18753-0343	30919-0001	18753-0342	18753-0495	30929-1000	18753-0495	---	18753-0521	---	18753-0521	30903-1000	30915-1000	30914-1000	30914-1000	
30891-0016	USA	130	2" Hose	Flange		SK410	18753-0343	30919-0001	18753-0342	18753-0495	30929-1000	18753-0495	---	18753-0521	---	18753-0521	30903-1000	30915-1000	30914-1000	30914-1000	
30891-0017	USA	130	2" Hose	Flange		SK410	18753-0343	30919-0001	18753-0342	18753-0495	30929-1000	18753-0495	---	18753-0521	---	18753-0521	30903-1000	30915-1000	30914-1000	30914-1000	
30891-0018	USA	130	2" Hose	Flange		SK410	18753-0343	30919-0001	18753-0342	18753-0495	30929-1000	18753-0495	---	18753-0521	---	18753-0521	30903-1000	30915-1000	30914-1000	30914-1000	
30891-0019	USA	130	2" Hose	Flange		SK410	18753-0343	30919-0001	18753-0342	18753-0495	30929-1000	18753-0495	---	18753-0521	---	18753-0521	30903-1000	30915-1000	30914-1000	30914-1000	
30891-0020	USA	130	2" Hose	Flange		SK410	18753-0343	30919-0001	18753-0342	18753-0495	30929-1000	18753-0495	---	18753-0521	---	18753-0521	30903-1000	30915-1000	30914-1000	30914-1000	
30891-0021	USA	130	2" Hose	Flange		SK410	18753-0343	30919-0001	18753-0342	18753-0495	30929-1000	18753-0495	---	18753-0521	---	18753-0521	30903-1000	30915-1000	30914-1000	30914-1000	
30891-0022	USA	130	2" Hose	Flange		SK410	18753-0343	30919-0001	18753-0342	18753-0495	30929-1000	18753-0495	---	18753-0521	---	18753-0521	30903-1000	30915-1000	30914-1000	30914-1000	
30891-0023	USA	130	2" Hose	Flange		SK410	18753-0343	30919-0001	18753-0342	18753-0495	30929-1000	18753-0495	---	18753-0521	---	18753-0521	30903-1000	30915-1000	30914-1000	30914-1000	
30891-0024	USA	130	2" Hose	Flange		SK410	18753-0343	30919-0001	18753-0342</												

# Service Parts -

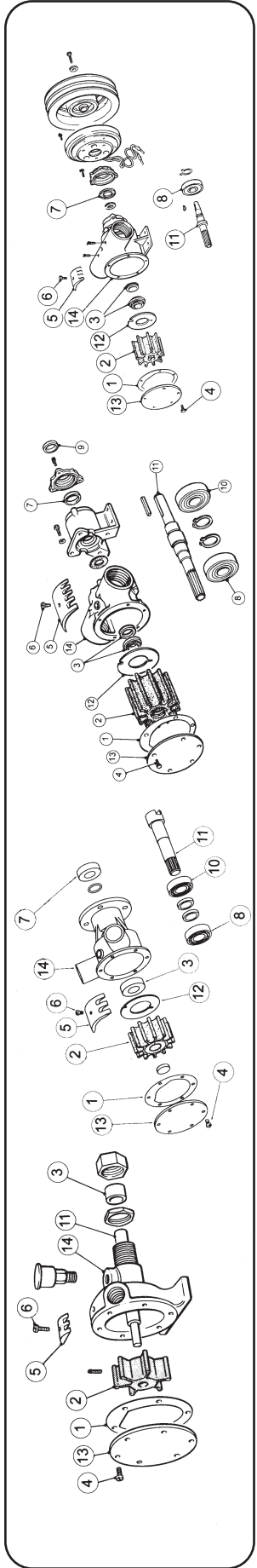
Flexible Impeller Pumps Spares by  
 Pump Model **50080-2203 to 50270-2913**

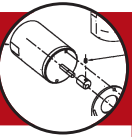
11

www.jabasco.com

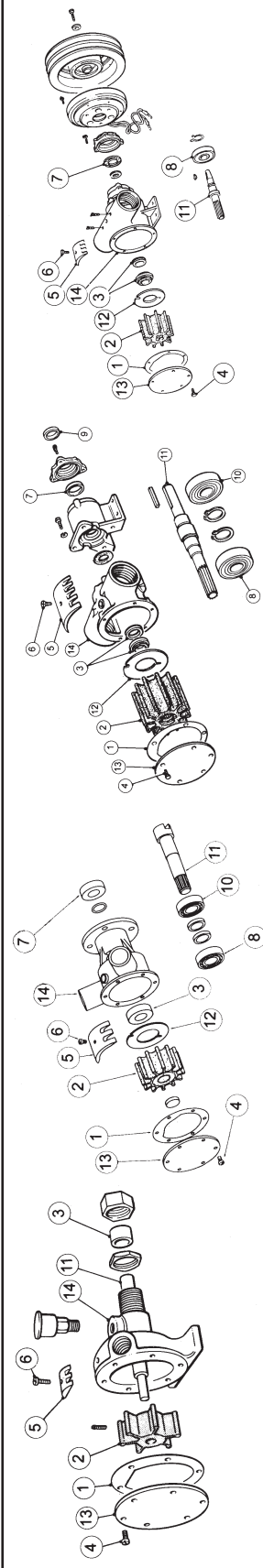
JABSCO®

JABSCO PUMP DETAILS				SERVICE KIT DETAILS				GENERAL PARTS LISTING														
Pump Number	Origin	Pump Size	Port Type	Mount Type	Alternate Part No	Kit Number	Key	Gasket/O Ring	Impeller	Water Seal	End Cover Screws	Cam	Cam Screw	Pump End Oil Seal	Pump End Bearing	Drive End Oil Seal	Drive End Bearing	Shaft	Wearplate	Endcover	Body	
																						* OEM supply only
50080-2203	UK	080	1" BSP	Foot		SK406-0003	890	17937-0003	SP2700-1027	X3001-147E	934	SP1004-09	SP2700-48	SP2600-06	---	---	50087-0000	4156	3993	50084-2000	14	
50080-2301	UK	080	1" BSP	Foot		SK406-0001	890	17937-0001	SP2700-1027	X3001-147E	934	SP1004-09	SP2700-48	SP2600-06	---	---	50087-0000	4156	3993	50084-2000		
50080-2302	UK	080	1" BSP	Foot		SK406-0003	890	17937-0003	SP2700-1027	X3001-147E	934	SP1004-09	SP2700-48	SP2600-06	---	---	50087-0000	4156	3993	50084-2000		
50080-2321	UK	080	1" BSP	Foot		SK406-0001	890	17937-0001	SP2700-1027	X3001-147E	934	SP1004-09	SP2700-48	SP2600-06	---	---	50087-0000	4156	3993	50084-2000		
50080-2903	UK	080	1" BSP	Foot		SK406-0003	890	17937-0003	SP2700-1027	X3001-147E	934	SP1004-09	SP2700-48	SP2600-06	---	---	50087-0000	4156	3993	50084-2000		
50190-1001	UK	040	Ø 32 Hose	Flange		SK407-0003	3298	1210-0001	SP2700-1027	X3001-495F	490	SP1003-01	---	SP2601-0451	---	---	50197-0000	2574	3992	50194-1000		
50200-2003	UK	200	1 1/2" BSP	Foot		SK407-0003	816	836-0003	21849	X3001-176F	834	SP1005-04	SP2700-50	SP2600-04	---	---	50207-0000	2574	9336	50204-2000		
50200-2011	UK	200	1 1/2" BSP	Foot		SK407-0011	816	17935-0001	21849	X3001-176F	834	SP1005-04	SP2700-50	SP2600-04	---	---	50207-0000	2574	9336	50204-2000		
50200-2103	UK	200	1 1/2" BSP	Foot		SK407-0003	816	836-0003	21849	X3001-176F	834	SP1005-04	SP2700-50	SP2600-04	---	---	50207-0000	2574	9336	50204-2000		
50200-2111	UK	200	1 1/2" BSP	Foot		SK407-0011	816	17935-0001	21849	X3001-176F	834	SP1005-04	SP2700-50	SP2600-04	---	---	50207-0000	2574	9336	50204-2000		
50200-2203	UK	200	1 1/2" BSP	Foot		SK407-0003	816	836-0003	21849	X3001-176F	834	SP1005-04	SP2700-50	SP2600-04	---	---	50207-0000	2574	9336	50204-2000		
50200-2211	UK	200	1 1/2" BSP	Foot		SK407-0011	816	17935-0001	21849	X3001-176F	834	SP1005-04	SP2700-50	SP2600-04	---	---	50207-0000	2574	9336	50204-2000		
50200-2303	UK	200	1 1/2" BSP	Foot		SK407-0003	816	836-0003	21849	X3001-176F	834	SP1005-04	SP2700-50	SP2600-04	---	---	50207-0000	2574	9336	50204-2000		
50200-2311	UK	200	1 1/2" BSP	Foot		SK407-0011	816	17935-0001	21849	X3001-176F	834	SP1005-04	SP2700-50	SP2600-04	---	---	50207-0000	2574	9336	50204-2000		
50200-2903	UK	200	1 1/2" BSP	Foot		SK407-0003	816	836-0003	21849	X3001-176F	834	SP1005-04	SP2700-50	SP2600-04	---	---	50207-0000	2574	9336	50204-2000		
50200-9203	UK	200	1 1/2" BSP	Foot		SK407-0003	816	836-0003	21849	X3001-176F	834	SP1005-04	SP2700-50	SP2600-04	---	---	50207-0000	2574	9336	50204-2000		
50200-9303	UK	200	1 1/2" BSP	Foot		SK407-0003	816	836-0003	21849	X3001-176F	834	SP1005-04	SP2700-50	SP2600-04	---	---	50207-0000	2574	9336	50204-2000		
50200-9403	UK	200	1 1/2" BSP	Foot		SK407-0003	816	836-0003	21849	X3001-176F	834	SP1005-04	SP2700-50	SP2600-04	---	---	50207-0000	2574	9336	50204-2000		
50210-1001	UK	080	Clamp	Flange		SK407-0011	816	17937-0001	SP2700-1027	X3001-147E	934	SP1004-09	---	SP2600-0500	---	---	SP2600-0500	50217-0000	3993	50214-2000		
50210-1101	UK	080	Clamp	Flange		SK407-0011	816	17937-0001	SP2700-1027	X3001-147E	53082-0000	X3004-174F	---	SP2600-0500	---	---	SP2600-0500	50217-0200	4156	50215-0000		
50220-0011	UK	200	1 1/2" Flanged	Foot		SK407-0011	816	17935-0001	21849	SP1095-0640	834	SP1005-04	SP2701-54	SP2601-0458	---	---	SP2601-0458	50227-0000	2574	9336	10634-02	
50220-0111	UK	200	1 1/2" Flanged	Foot		SK407-0011	816	17935-0001	21849	SP1095-0640	834	SP1005-04	SP2701-54	SP2601-0458	---	---	SP2601-0458	50227-0000	2574	9336	10634-02	
50220-0211	UK	200	1 1/2" Flanged	Foot		SK407-0011	816	17935-0001	21849	SP1095-0640	834	SP1005-04	SP2701-54	SP2601-0458	---	---	SP2601-0458	50227-0000	2574	9336	10634-02	
50220-0311	UK	200	1 1/2" Flanged	Foot		SK407-0011	816	17935-0001	21849	SP1095-0640	834	SP1005-04	SP2701-54	SP2601-0458	---	---	SP2601-0458	50227-0000	2574	9336	10634-02	
50230-0903	UK	200	1 1/2" Flanged	Foot		SK407-0011	816	836-0003	21849	SP1095-0640	834	SP1005-04	SP2701-54	SP2601-0458	---	---	SP2601-0458	50227-0000	2574	9336	10634-02	
50230-2011	UK	200	1 1/2" Flanged	Foot		SK407-0011	816	17935-0001	21849	SP1095-0640	834	SP1005-04	SP2701-54	SP2601-0458	---	---	SP2601-0458	50227-0000	2574	9336	10584	
50260-0041	UK	080	1" BSP	Flange		SK385-0001	890	17937-0001	SP2700-1027	SP1003-0111	3255	SP1004-11	SP2700-1027	SP2600-01	---	---	SP2600-01	50267-0000	4156	3993	50264-2000	
50270-0011	UK	270	2" Flanged	Foot		SK408-0011	816	17936-0001	21849	SP1095-0640	6988	SP1005-04	SP2701-54	SP2601-0458	---	---	SP2601-0458	50227-0000	2574	9336	10634-02	
50270-0111	UK	270	2" Flanged	Foot		SK408-0011	816	17936-0001	21849	SP1095-0640	6988	SP1005-04	SP2701-54	SP2601-0458	---	---	SP2601-0458	50227-0000	2574	9336	10634-02	
50270-0211	UK	270	2" Flanged	Foot		SK408-0011	816	17936-0001	21849	SP1095-0640	6988	SP1005-04	SP2701-54	SP2601-0458	---	---	SP2601-0458	50227-0000	2574	9336	10634-02	
50270-0311	UK	270	2" Flanged	Foot		SK408-0011	816	17936-0001	21849	SP1095-0640	6988	SP1005-04	SP2701-54	SP2601-0458	---	---	SP2601-0458	50227-0000	2574	9336	10634-02	
50270-0911	UK	270	2" Flanged	Foot		SK408-0013	816	6760-0003	21849	SP1095-0640	6988	SP1005-04	SP2701-54	SP2601-0458	---	---	SP2601-0458	50227-0000	2574	9336	10634-02	
50270-2011	UK	270	2" BSP	Foot		SK408-0011	816	17936-0001	21849	SP1095-0640	6988	SP1005-04	SP2701-54	SP2601-0458	---	---	SP2601-0458	50227-0000	2574	9336	10634-02	
50270-2111	UK	270	2" BSP	Foot		SK408-0011	816	17936-0001	21849	SP1095-0640	6988	SP1005-04	SP2701-54	SP2601-0458	---	---	SP2601-0458	50227-0000	2574	9336	10634-02	
50270-2211	UK	270	2" BSP	Foot		SK408-0011	816	17936-0001	21849	SP1095-0640	6988	SP1005-04	SP2701-54	SP2601-0458	---	---	SP2601-0458	50227-0000	2574	9336	10634-02	
50270-2311	UK	270	2" BSP	Foot		SK408-0011	816	17936-0001	21849	SP1095-0640	6988	SP1005-04	SP2701-54	SP2601-0458	---	---	SP2601-0458	50227-0000	2574	9336	10634-02	
50270-2313	UK	270	2" BSP	Foot		SK408-0013	816	6760-0003	21849	SP1095-0640	6988	SP1005-04	SP2701-54	SP2601-0458	---	---	SP2601-0458	50227-0000	2574	9336	10634-02	
50270-2911	UK	270	2" BSP	Foot		SK408-0011	816	17936-0001	21849	SP1095-0640	6988	SP1005-04	SP2701-54	SP2601-0458	---	---	SP2601-0458	50227-0000	2574	9336	10634-02	
50270-2913	UK	270	2" BSP	Foot		SK408-0013	816	6760-0003	21849	SP1095-0640	6988	SP1005-04	SP2701-54	SP2601-0458	---	---	SP2601-0458	50227-0000	2574	9336	10634-02	





JABSCO PUMP DETAILS				SERVICE KIT DETAILS				GENERAL PARTS LISTING													
Pump Number	Origin	Pump Size	Port Type	Mount Type	Alternate Part No	Kit Number	Gasket/ O Ring	Impeller	Water Seal	End Cover Screws	Cam	Cam Screw	Pump End Oil Seal	Pump End Bearing	Drive End Oil Seal	Drive End Bearing	Shaft	Wearplate	Endcover	Body	
						Key															* ODM supply only
50280-2001	UK	040	1/4" BSP	Flange		SK271	3298	1210-0001	SP2701-21	SP1002-02	7876	SP1003-01	SP2701-21	SP2601-07	---	---	3277	7883	3992	3274-200	
50280-2101	UK	040	1/4" BSP	Flange		SK271	3298	1210-0001	SP2701-21	SP1002-02	7876	SP1003-01	SP2601-07	---	---	---	3277	7883	3992	3274-200	
50310-1001	UK	080	3/8" Hose	Flange			X4020-354A	17937-0001	SP6080-0469	X3001-209F	934	SP1004-09	SP2700-1027	SP2600-0500	---	---	50317-0000	4156	3993	29604-1700	
50310-1101	UK	080	3/8" Hose	Flange			X4020-354A	17937-0001	SP6080-0469	SP1003-0111	934	SP1004-09	SP2700-1027	SP2600-0500	---	---	29609-0100	4156	3993	29604-1300	
50310-1251	UK	080	3/8" Hose	Flange			X4020-354A	17937-0001	SP6080-0469	SP1003-0111	2431	SP1004-09	SP2700-1027	SP2600-0500	---	---	29609-0200	4156	3993	29604-2100	
50320-2001	UK	080	1" BSP	Foot			890	17937-0001	SP2700-1027	X3001-147F	934	SP1004-09	Not Fitted	SP2600-12	---	---	50327-0000	Not Fitted	3993	50324-2000	
50340-1001	UK	040	3/8" Hose	Flange		SK384-0001	3298	1210-0001	SP2700-1027	X3004-095G	490	SP1003-01	SP2701-0933	SP2601-0451	---	---	50347-0000	7883	3992	50344-1000	
50350-1001	UK	120	3/4" BSP	Flange			X4020-269A	1710-0001	SP6080-0469	X3001-176F	23341-0001	SP1004-09	SP2600-11	---	---	50357-0000	4156	50355-0000	50354-1000		
50360-1001	UK	040	3/8" Hose	Flange			X4020-259A	1710-0001	SP6080-0469	X3001-147F	490-0100	SP1003-01	SP2700-1027	SP2601-0451	---	---	50367-0000	7883	23825-0000	50364-1000	
50370-1001	UK	040	3/8" Hose	Flange			X4020-259A	1710-0001	SP6080-0469	X3001-147F	23826-0000	SP1003-01	SP2700-1027	SP2601-0451	---	---	50377-0000	7883	23825-0000	50374-1000	
50400-1201	UK	040	3/8" Hose	Flange		SK384-0001	3298	1210-0001	SP2700-1027	SP1002-02	490	SP1003-01	SP2700-1027	SP2601-0451	---	---	50407-0000	7883	3992	50394-1200	
50410-1001	UK	060	3/8" Hose	Crank			92000-1403	18777-0001	SP2701-21	X3001-151F	22318-0100	X3003-149K	SP2600-12	---	---	22113-6000	---	---	50416-0000	50414-1000	
50410-1251	UK	060	3/8" Hose	Crank			92000-1403	18777-0001	SP2701-21	X3001-151F	22308-0100	X3002-147F	SP2600-12	---	---	22113-6000	---	---	50416-0000	50414-1000	
50410-1301	UK	060	3/8" Hose	Crank			92000-1403	18777-0001	SP2701-21	X3001-151F	22318-0100	X3003-149K	SP2600-12	---	---	22113-6000	---	---	50416-0000	50414-1000	
50410-1401	UK	060	3/8" Hose	Crank			92000-1403	18777-0001	SP2701-21	X3001-151F	22318-0100	X3002-147K	SP2600-12	---	---	22113-6000	---	---	50416-0000	50414-1000	
50410-1501	UK	060	3/8" Hose	Crank			92000-1403	18777-0001	SP2701-21	X3001-151F	22318-0100	X3003-149K	SP2600-12	---	---	22113-6000	---	---	50416-0000	50414-1000	
50580-series	UK	080	1" BSP/NPT	Foot			X4020-269A	17937-0001	SP6080-0620	X3001-176F	53082-0000	X3003-176F	SP2601-0468	---	---	50587-0000	4156	50355-0000	51584-2100		
51080-2001	UK	080	1" BSP	Foot		SK406-0003	890	17937-0001	SP2700-1027	X3001-147F	934	SP1004-09	SP2700-48	SP2600-06	---	---	51087-0000	4156	3993	50084-2100	
51080-2003	UK	080	1" BSP	Foot		SK406-0003	890	17937-0001	SP2700-1027	X3001-147F	934	SP1004-09	SP2700-48	SP2600-06	---	---	51087-0000	4156	3993	50084-2100	
51080-2041	UK	080	1" BSP	Foot		SK406-0001	890	17937-0001	SP2700-1027	X3001-147F	934	SP1004-09	SP2700-48	SP2600-06	---	---	51087-0000	4156	3993	50084-2100	
51080-9013	UK	080	1" NPT	Foot	Blige Option	SK407-0003	816	836-0003	21849	X3001-176F	834	SP1005-04	SP2700-50	SP2600-04	---	---	51087-0000	4156	3993	50084-2100	
51200-2001	UK	200	1 1/2" BSP	Foot	Blige Option	SK407-0011	816	836-0003	21849	X3001-176F	834	SP1005-04	SP2700-50	SP2600-04	---	---	51207-0000	2574	9336	50204-2100	
51200-2003	UK	200	1 1/2" BSP	Foot	Blige Option	SK407-0011	816	836-0003	21849	X3001-176F	834	SP1005-04	SP2700-50	SP2600-04	---	---	51207-0000	2574	9336	50204-2100	
51220-0011	UK	200	1 1/2" NPT	Foot			816	17935-0001	21849	X3001-176F	834	SP1005-04	SP2700-50	SP2600-04	---	---	51207-0000	2574	9336	10634	
51220-0011	UK	200	1 1/2" NPT	Foot			816	17935-0001	21849	X3001-176F	834	SP1005-04	SP2700-50	SP2600-04	---	---	51207-0000	2574	9336	10634	
51220-0011	UK	200	1 1/2" NPT	Foot			816	17935-0001	21849	X3001-176F	834	SP1005-04	SP2700-50	SP2600-04	---	---	51207-0000	2574	9336	10634	
51270-0011	UK	270	2" Flanged	Foot			816	21676-0001	21849	X3001-176F	6988	SP1005-04	SP2701-54	SP2601-0458	---	---	51277-0000	2574	9336	10494	
51270-2011	UK	270	2" BSP	Foot			816	21676-0001	21849	X3001-176F	6988	SP1005-04	SP2701-54	SP2601-0458	---	---	51277-0000	2574	9336	50204-2100	
51270-2013	UK	270	2" BSP	Foot			816	21676-0003	21849	X3001-176F	6988	SP1005-04	SP2701-54	SP2601-0458	---	---	51277-0000	2574	9336	50204-2100	
51270-9013	UK	270	2" NPT	Foot			816	6760-0003	21849	X3001-176F	6988	SP1005-04	SP2701-54	SP2601-0458	---	---	51277-0000	2574	9336	50274-0000	
51510-2001	UK	010	3/8" BSP	Foot			X4020-244A	22405-0001	96080-6024	X3001-095F	Not Fitted	Not Fitted	SP2601-0457	---	---	51517-0000	Not Fitted	29305-0100	51514-2000		
51520-2001	UK	020	3/8" BSP	Foot			X5251-050	653-0001	96080-6024	X3001-174F	Not Fitted	Not Fitted	SP2601-0457	---	---	51527-0000	Not Fitted	29405-0000	51524-2000		
51580-series	UK	080	1" BSP/NPT	Foot			X4020-269A	17937-0001	SP6080-0620	X3001-176F	53082-0000	X3003-176F	SP2601-0468	---	---	51587-0000	4156	50355-0000	51584-2100		
52010-0051	UK	010	3/8" NPT	Foot	x		29308-0000	22405-0001	SP2701-1006	X3001-095F	29308-0000	SP1009-05	SP2701-0501	SP2601-0457	SP2701-1006	SP2601-0457	52017-0000	29306-0000	29305-0000	52014-2000	
52010-2001	UK	010	3/8" BSP	Foot			29308-0000	22405-0001	SP2701-1006	X3001-095F	29303-0000	SP1009-05	SP2701-0501	SP2601-0457	SP2701-1006	SP2601-0457	52017-0000	29306-0000	29305-0000	52014-2000	
52010-2051	UK	010	3/8" BSP	Foot	x		29308-0000	22405-0001	SP2701-1006	X3001-095F	29303-0000	SP1009-05	SP2701-0501	SP2601-0457	SP2701-1006	SP2601-0457	52017-0000	29306-0000	29305-0000	52014-2000	
52020-2001	UK	020	1/2" BSP	Foot			2995-0030	18653-0001	SP2701-1006	X3001-095F	2907-0001	SP1002-09	SP2701-0501	SP2601-0457	SP2701-1006	SP2601-0457	52027-0000	---	3992	52024-2000	
52020-2031	UK	020	3/8" NPT	Foot	x		2995-0030	18653-0001	SP2701-1006	X3001-095F	2907-0001	SP1002-09	SP2701-0501	SP2601-0457	SP2701-1006	SP2601-0457	52027-0000	---	3992	52024-2000	
52020-2031	UK	020	1/2" BSP	Foot			2995-0030	18653-0001	SP2701-1006	X3001-095F	2907-0001	SP1002-09	SP2701-0501	SP2601-0457	SP2701-1006	SP2601-0457	52027-0000	---	3992	52024-2000	
52020-2051	UK	020	3/8" BSP	Foot			2995-0030	18653-0001	SP2701-1006	X3001-095F	2441	SP1010-06	SP2701-0501	SP2601-0457	SP2701-1006	SP2601-0457	52027-0000	---	3992	52024-2000	

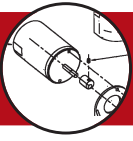


**Service Parts -** Flexible Impeller Pumps Spares by Pump Model **50280-2001 to 52020-2051**



# Service Parts -

Flexible Impeller Pumps Spares by  
 Pump Model **52040-2001 to 52270-2041**

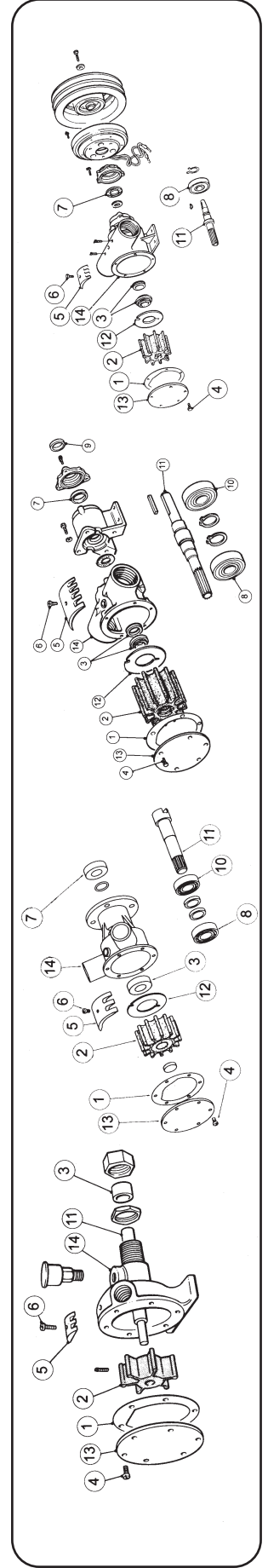


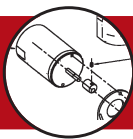
11

www.jabasco.com

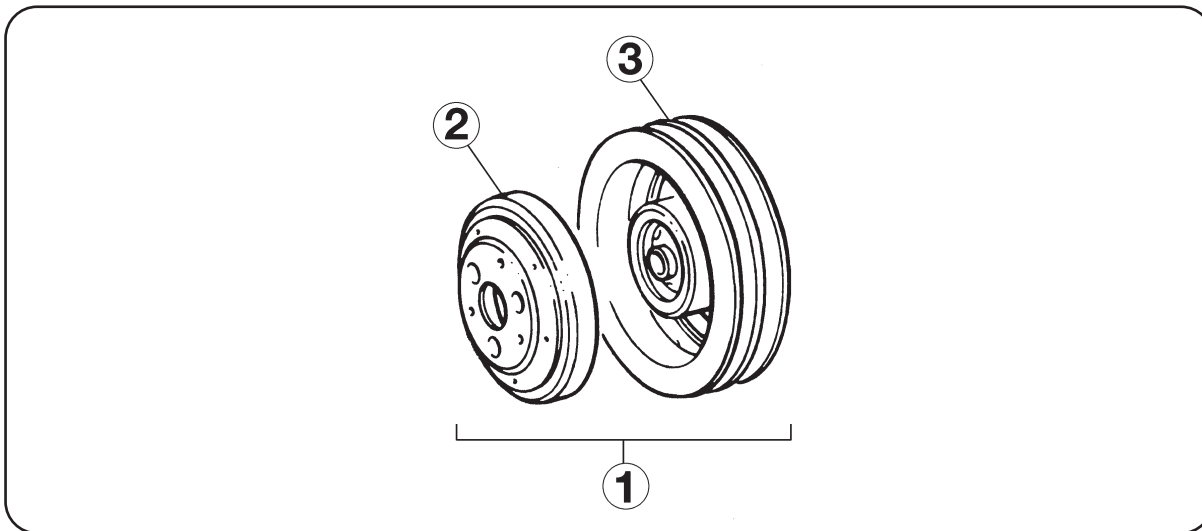
JABSCO®

JABSCO PUMP DETAILS				SERVICE KIT DETAILS				GENERAL PARTS LISTING												
Pump Number	Origin	Pump Size	Port Type	Mount Type	Alternate Part No	Kit Number	Gasket/O Ring	Impeller	Water Seal	End Cover Screws	Cam	Cam Screw	Pump End Oil Seal	Pump End Bearing	Drive End Oil Seal	Drive End Bearing	Shaft	Wearplate	Endcover	Body
						Key	1	2	3	4	5	6	7	8	9	10	11	12	13	14
52040-2001	UK	040	1/2" BSP	Foot		SK384-0101	3298	1210-0001	SP2701-1015	X3001-095F	490	SP1003-01	SP2700-1027	SP2601-0451	SP2701-1015	SP2601-0451	52047-0000	---	3992	52044-2000
52040-2003	UK	040	1/2" BSP	Foot		SK384-0101	3298	1210-0003	SP2701-1015	X3001-095F	490	SP1003-01	SP2700-1027	SP2601-0451	SP2701-1015	SP2601-0451	52047-0000	---	3992	52044-2000
52040-2021	UK	040	1/2" BSP	Foot		SK384-0101	3298	3085-0001	SP2701-1015	X3001-095F	490	SP1003-01	SP2700-1027	SP2601-0451	SP2701-1015	SP2601-0451	52047-0000	---	3992	52044-2000
52040-2401	UK	040	1/2" BSP	Foot		SK384-0101	3298	1210-0001	SP2701-1015	X3001-095F	4906	SP1003-01	SP2700-1027	SP2601-0451	SP2701-1015	SP2601-0451	52047-0000	---	3992	52044-2000
52051-2051	UK	040	1/2" BSP	Foot		SK384-0101	3298	1210-0001	SP2701-1015	X3001-095F	10336	SP1003-01	SP2700-1027	SP2601-0451	SP2701-1015	SP2601-0451	52047-0000	---	3992	52044-2000
52080-2001	UK	080	1" BSP	Foot		SK406-0001	890	17937-0001	SP2700-1027	X3001-147F	934	SP1004-09	SP2700-48	SP2600-06	SP2700-1027	---	52087-0000	4156	3993	50084-2100
52080-2003	UK	080	1" BSP	Foot		SK406-0003	890	17937-0003	SP2700-1027	X3001-147F	934	SP1004-09	SP2700-48	SP2600-06	SP2700-1027	---	52087-0000	4156	3993	50084-2100
52080-2021	UK	080	1" BSP	Foot		SK406-0021	890	5915-0001	SP2700-1027	X3001-147F	934	SP1004-09	SP2700-48	SP2600-06	SP2700-1027	---	52087-0000	4156	3993	50084-2100
52080-2041	UK	080	1" BSP	Foot		SK406-0001	890	17937-0001	SP2700-1027	X3001-147F	934	SP1004-09	SP2700-48	SP2600-06	SP2700-1027	---	52087-0000	4156	3993	50084-2100
52080-2051	UK	080	1" BSP	Foot		SK406-0001	890	17937-0001	SP2700-1027	X3001-147F	2431	SP1004-10	SP2700-48	SP2600-06	SP2700-1027	---	52087-0000	4156	3993	50084-2100
52080-2101	UK	080	1" BSP	Foot		SK406-0001	890	17937-0001	SP2700-1027	X3003-178F	934	SP1004-09	SP2700-48	SP2600-06	SP2700-1027	---	52087-0100	4156	3993	50084-2200
52580-series	UK	080	1" BSP/NPT	Foot		X4020-269A		17937-0001	96080-0620	X3003-176F	53082-0000	X3003-176F		SP2601-0468	51586-0000	SP2601-0468	52587-0000	4156	50355-0000	51584-2000
52200-2001	UK	200	1 1/2" BSP	Foot		SK407-0011	816	17935-0001	Z1849	X3001-176F	834	SP1005-04	SP2700-50	SP2600-04	SP2701-1013	---	52207-0000	2574	9336	50204-2100
52200-2003	UK	200	1 1/2" BSP	Foot		SK407-0003	816	836-0003	Z1849	X3001-176F	834	SP1005-04	SP2700-50	SP2600-04	SP2701-1013	---	52207-0000	2574	9336	50204-2100
52200-2011	UK	200	1 1/2" BSP	Foot		SK407-0011	816	17935-0001	Z1849	X3001-176F	834	SP1005-04	SP2700-50	SP2600-04	SP2701-1013	---	52207-0000	2574	9336	50204-2100
52200-2041	UK	200	1 1/2" BSP	Foot		SK407-0011	816	17935-0001	Z1849	X3001-176F	834	SP1005-04	SP2700-50	SP2600-04	SP2701-1013	---	52207-0000	2574	9336	50204-2100
52200-2051	UK	200	1 1/2" BSP	Foot		SK407-0011	816	17935-0001	Z1849	X3001-176F	2551	SP1005-05	SP2700-50	SP2600-04	SP2701-1013	---	52207-0000	2574	9336	50204-2100
52220-0011	UK	200	1 1/2" Flanged	Foot		SK407-0011	816	17935-0001	Z1849	X3001-176F	834	SP1005-04	SP2701-54	SP2601-0458	SP2701-1013	SP2601-0458	52227-0000	2574	9336	10634
52220-0041	UK	200	1 1/2" Flanged	Foot		SK407-0011	816	17935-0001	Z1849	X3001-176F	834	SP1005-04	SP2701-54	SP2601-0458	SP2701-1013	SP2601-0458	52227-0000	2574	9336	10634
52220-0051	UK	200	1 1/2" Flanged	Flange		SK407-0011	816	17935-0001	Z1849	X3001-176F	2551	SP1005-05	SP2701-54	SP2601-0458	SP2701-1013	SP2601-0458	52227-0000	2574	9336	10634
52230-0001	UK	200	1 1/2" Flanged	Flange		SK407-0011	816	17935-0001	Z1849	SP1095-0640	834	SP1005-04	SP2700-50	SP2600-32	---	---	21239-0030	2574	9336	10584-03
52270-0011	UK	270	2" Flanged	Foot		SK408-0011	816	17935-0001	Z1849	SP1095-0640	6988	SP1005-04	SP2701-54	SP2601-0458	SP2701-1013	SP2601-0458	52277-0000	2574	9336	10494
52270-2011	UK	270	2" BSP	Foot		SK408-0011	816	17936-0001	Z1849	X3001-176F	6988	SP1005-04	SP2701-54	SP2601-0458	SP2701-1013	SP2601-0458	52277-0000	2574	9336	50274-2100
52270-2013	UK	270	2" BSP	Foot		SK408-0011	816	6760-0003	Z1849	X3001-176F	6988	SP1005-04	SP2701-54	SP2601-0458	SP2701-1013	SP2601-0458	52277-0000	2574	9336	50274-2100
52270-2041	UK	270	2" BSP	Foot		SK408-0011	816	21676-0001	Z1849	X3001-176F	6988	SP1005-04	SP2701-54	SP2601-0458	SP2701-1013	SP2601-0458	52277-0000	2574	9336	50274-2100





**Electromagnetic Clutch Pump Clutch Parts**

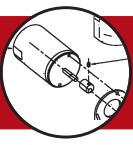


Key	Description	11860 Series	11870 Series	18330 Series
1	12v - 2-A Grooves Complete	92300-0030	92300-0030	92300-0030
1	12v - 1-B Groove Complete	18753-0493	18753-0493	18753-0493
1	24v - 2-A Grooves Complete	92300-0061	92300-0061	92300-0061
1	24v - 1-B Groove Complete	18753-0494	18753-0494	18753-0494
1	32v - 2-A Grooves Complete	92300-0050	-	-
2	Replacement Field Coil 12v	98022-0500	98022-0500	98022-0500
2	Replacement Field Coil 24v	98022-2155	98022-2155	98022-2155
2	Replacement Field Coil 32v	98022-0510	98022-0510	98022-0510

Key	Description	21960 Series (Obsolete)	10670 Series (Obsolete)	10680 Series (Obsolete)
2	Replacement Field Coil 12v	SP2300-0061RA	SP2300-0061RA	SP2300-0061RA
2	Replacement Field Coil 24v	SP2300-0063RA	SP2300-0063RA	SP2300-0063RA
3	2-A Groove Pulley	SP2300-0063FC	SP2300-0063FC	SP2300-0063FC
3	1-B Groove Pulley	SP2300-0064FC	SP2300-0064FC	SP2300-0064FC

Key	Description	50080/50580 Series	50200 Series	50220 Series	50270 Series
2	Replacement Field Coil 12v	SP2300-0061RA	SP2300-0061RA	SP2300-0061RA	SP2300-0061RA
2	Replacement Field Coil 24v	SP2300-0063RA	SP2300-0063RA	SP2300-0063RA	SP2300-0063RA
3	2-A Groove Pulley	SP2300-0063FC	SP2300-0063FC	SP2300-0063FC	SP2300-0063FC
3	1-B Groove Pulley	SP2300-0064FC	SP2300-0064FC	SP2300-0064FC	SP2300-0064FC



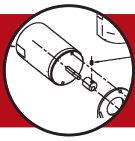


## Obsolete to Current Jabsco Parts Table

# Service Parts - Obsolete to Current Jabsco Parts Table

Obsolete Jabsco Part No.	Description	Current Jabsco Part No.
355-24	Shaft	355-07-24
410	Seal Assembly	21849
653-0001	Impeller	18653-0001B
686	Seal Assembly	21849
688-21	Shaft	688-21-24
818	Lip Seal	SP2700-49
833	Seal Assembly	21849
913	Lip Seal	SP2700-48
914	Lip Seal	SP2700-47
1040-0000	Lip Seal	SP2701-52
2577	Seal Assembly	21849
2620-211	Pump	2620-200
2620-221	Pump	2620-200
2620-254	Pump	2620-252
2620-281	Pump	2620-252
2877-0001	Impeller	4568-0001B
2877-0003	Impeller	4568-0003B
3200-01	Pump	9440-200
3214	Lip Seal	SP2700-59
3266	Cam/Wearplate	7884
3270-200	Pump	29500-1001
3288	Gasket	3298
3370-200	Pump	9970-200
3370-251	Pump	9970-261
3380-200	Pump	9970-200
3380-221	Pump	9970-200
3996	End Cover	9336
4511	Seal Ring	9364
4517-0000	Lock Nut	C18
4518-0000	Packing Ring	C20
4530-200	Pump	AL1/4-200
4530-237	Pump	AL1/4-237
4533-0000	Packing Nut	AL18
4534-0000	Body	AL4-200
4536-0000	Packing Nut	AL16
4537-0000	Shaft	AL10
4538-0000	Cam	AL8
4538-0010	Cam	AL8-01
4539-0000	Packing Ring	AL22
4546	Packing Nut	B16
4546-0000	Packing Nut	B16
4547-01	Shaft	D10-01
4548	Lock Nut	B18
4548-0000	Lock Nut	B18
4549	Packing Ring	B22
4549-0000	Packing Ring	B22
4567-01	Shaft	C10-01
4583-0000	Packing Nut	C16
4590-200	Pump	JD3/4-200
4590-237	Pump	JD3/4-237
4594-200	Body	JD4-200
4595-200	End Cover	D6-01-200
4800-111	Pump	11790
4800-21	Pump	4800-21-01

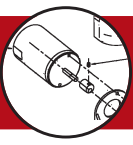
Obsolete Jabsco Part No.	Description	Current Jabsco Part No.
4850	Pump	9750
4860	Pump	9760
5212	Gasket	3298
5400-205	Pump	52200-2051
5522	End Cover	AL6-200
6400-200	Pump	52200-2001
6400-205	Pump	52200-2051
6400-207	Pump	52200-2011
6400-207	Pump	52200-2001
6406	Seal Seat	10163
6408	Seal Assembly	21849
6420-0101	Pump	52220-0011
6420-200	Pump	52080-2001
6420-2001	Pump	52080-2001
6420-2003	Pump	52080-2003
6420-204	Pump	52080-2041
6420-2041	Pump	52080-2041
6420-205	Pump	52080-2051
6420-2051	Pump	52080-2051
6520-200	Pump	51080-2001
6520-2001	Pump	51080-2001
6520-2003	Pump	51080-2003
6520-237	Pump	51080-2001
6520-251	Pump	51080-2001
6590-200	Pump	51200-2011
6590-237	Pump	51200-2003
6640-200	Pump	52010-2001
6640-205	Pump	52010-2001
6718	Shaft	6718-21
7420-0004	Pump	7420-0101
7447	Spacer	3166
8123	Wearplate	4357
9416	Wearplate	4156
9420	Cam	934
9430-01	Pump	11650-200
9430-211	Pump	29300-2601C
9436-211	Shaft	22286
9700-101	Pump	9700-04
9700-141	Pump	9700-04
9700-21	Pump	29600-1001
9710	Pump	9710-200
9900	Pump	29470-2231C
9970-251	Pump	9970-241
9970-271	Pump	9970-200
9990-21	Pump	9990-41
9996	Wearplate	7883
10118	Seal Assembly	1817-0000
10135	Bearing	3625-1150
10187-01	Shaft	21679-0010
10420	Pump	29490-2001C
10490	Pump	52270-0011
10490-0201	Pump	50270-0911
10490-07	Pump	52270-0011
10490-207	Pump	52270-0011



## Obsolete to Current Jabsco Parts Table

Obsolete Jabsco Part No.	Description	Current Jabsco Part No.
10497	Shaft	11258
10497-01	Shaft	11258-01
10590	Pump	10590-22
10590-01	Pump	11101-01-01
10590-0141	Pump	10590-0041
10590-21	Pump	10590-22
10590-61	Pump	10590-62
10630	Pump	52220-0011
10630-01	Pump	52220-0011
10630-07	Pump	52220-0011
10630-200	Pump	52220-0011
10630-207	Pump	52220-0011
10630-57	Pump	52220-0011
10650	Pump	51220-0011
10650	Pump	51220-0011
10650-0003	Pump	51220-0011
10650-200	Pump	51200-2011
10657-0040	Shaft	10657-0020
10657-0050	Shaft	10657-0030
10660	Pump	51270-0011
10660-0003	Pump	51270-0011
10660-200	Pump	51270-2011
10670	Pump	50220-0011
10670-0003	Pump	50220-0011
10670-01	Pump	50220-0111
10670-0103	Pump	50220-0111
10670-0203	Pump	50220-0211
10670-0303	Pump	50220-0311
10670-10	Pump	50220-0211
10670-11	Pump	50220-0311
10670-200	Pump	50200-2011
10670-201	Pump	50200-2111
10670-210	Pump	50200-2211
10670-211	Pump	50200-2311
10677-0040	Shaft	10677-0020
10677-0050	Shaft	10677-0030
10680	Pump	50270-0011
10680	Pump	50270-0011
10680-0003	Pump	50270-0011
10680-01	Pump	50270-0111
10680-0103	Pump	50270-0111
10680-0203	Pump	50270-0211
10680-0303	Pump	50270-0311
10680-10	Pump	50270-0211
10680-11	Pump	50270-0311
10680-200	Pump	50270-2011
10680-201	Pump	50270-2111
10680-210	Pump	50270-2211
10680-211	Pump	50270-2311
10880	Pump	10880-07
10880-2461	Pump	10880-2561
10950-200	Pump	10950-2401
10950-201	Pump	10950-2401
10950-204	Pump	10950-2401

Obsolete Jabsco Part No.	Description	Current Jabsco Part No.
10950-205	Pump	10950-2401
10950-2101	Pump	10950-2401
10950-2141	Pump	10950-2401
10950-2201	Pump	10950-2601
10950-2241	Pump	10950-2601
10950-2441	Pump	10950-2601
10950-2451	Pump	10950-2601
10950-2701	Pump	10950-2401
10980-01	Pump	10980-0051
11253	Shaft	11254
11253-01	Shaft	11254-01
11256	Shaft	11258
11256-01	Shaft	11258-01
11260-200	Pump	29300-2101C
11260-205	Pump	29300-2151C
11260-2101	Pump	29300-2201C
11260-2151	Pump	29300-2151C
11417	Gasket	890
11493-01	Shaft	11494-01
11613	Lip Seal	SP2701-0940
11620-200	Pump	22830-2101
11788	Shaft	11749-0000
11796-0020	Shaft	11796-0010
11850-0101	Pump	11850-0701
21090-200	Pump	21090-204
21130-200	Pump	21130-2101
21140-200	Pump	21140-2401
21140-201	Pump	21140-2401
21140-204	Pump	21140-2401
21140-2101	Pump	21140-2601
21140-2141	Pump	21140-2601
21140-2201	Pump	21140-2601
21140-2241	Pump	21140-2601
21374	Shaft	9527
21677	Shaft	21679-0000
21677-01	Shaft	21679-0010
21820-200	Pump	52040-2001
21820-2001	Pump	52040-2001
21820-2003	Pump	52040-2003
21820-2021	Pump	52040-2021
21890	Pump	10880-2611
21944	Seal Assembly	22644-6000
21960-200	Pump	50080-2001
21960-2003	Pump	50080-2003
21960-210	Pump	50080-2101
21960-2103	Pump	50080-2103
21960-211	Pump	50080-2201
21960-2203	Pump	50080-2203
21960-221	Pump	50080-2301
21960-2303	Pump	50080-2303
22040-0131	Pump	22040-0501
22287	Shaft	22286
22304-0020	Body	22304-02
22307	Bearing Housing	22317

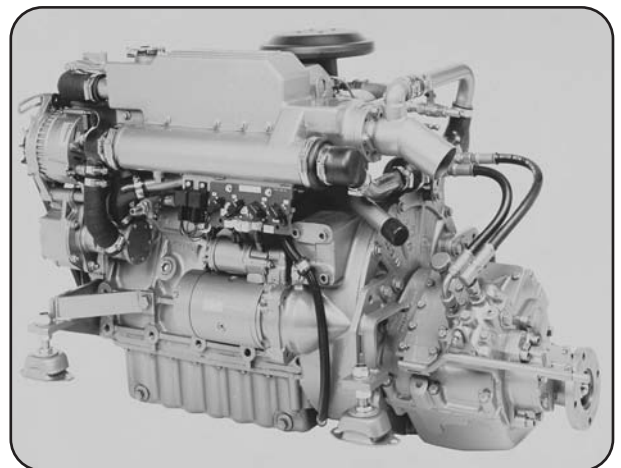


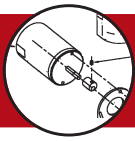
## Obsolete to Current Jabsco Parts Table

# Service Parts - Obsolete to Current Jabsco Parts Table

Obsolete Jabsco Part No.	Description	Current Jabsco Part No.
22314	Bearing Housing	22317
22617-0000	Seal Assembly	22617-0010
22620	Pump	29440-1101
22740-0251	Pump	22740-0151
22740-0301	Pump	22740-0201
22750-05	Pump	22750-1101
22754	Bearing Housing	22317-0010
22770	Pump	29440-1001
22770-1051	Pump	29440-1051
22770-1101	Pump	29440-1101
22770-1201	Pump	29440-1201
22940-2001	Pump	52010-2001
22950-2031	Pump	52020-2001
22950-2037	Pump	52020-2001
23328-0000	Pump	23328-9000
23387-0000	Pump	23387-0020
23800-0251	Pump	23800-0201
23800-0351	Pump	23800-0401
29470-0231	Pump	29470-1231
29470-0231C	Pump	29470-1231C
29850-0031	Pump	29880-0001
52200-2001	Pump	52200-2011
AL24	Impeller	4528-0001B
AL24-37	Impeller	4528-0003B
B12-37	Impeller	4527-0003B
B3/8 -200	Pump	6540-200
C10	Shaft	C10-01
C12	Impeller	4568-0001B
C12-37	Impeller	4568-0003B
D10	Shaft	D10-01
D12	Impeller	4598-0001B
D12-37	Impeller	4598-0003B
SP1002-07	Screw	SP1002-02
SP1003-0090	Screw	SP1003-09
SP1004-0090	Screw	SP1004-09
SP1009-08	Screw	SP1009-05
SP1023-0050	Screw	91023-0050
SP1095-0090	Bolt	SP1095-09

Obsolete Jabsco Part No.	Description	Current Jabsco Part No.
SP1105-0030	Nut	SP1105-03
SP1401-0100	Key	SP1401-10
SP1402-12	Key	9214
SP1602-0060	Washer	SP1602-06
SP1700-2470	Retaining Ring	SP1700-247
SP2600-02	Bearing	SP2600-11
SP2600-0420	Bearing	SP2601-42
SP2601-18	Bearing	SP2600-18
SP2700-0480	Lip Seal	SP2700-48
SP2700-06	Lip Seal	SP2701-21
SP2700-0910	Lip Seal	SP2700-91
SP2700-11	Lip Seal	SP2701-14
SP2700-14	Lip Seal	SP2701-04
SP2700-18	Lip Seal	SP2701-21
SP2700-28	Lip Seal	SP2700-51
SP2700-66	Seal	92700-0660
SP2700-90	Lip Seal	SP2700-05
SP2701-07	Lip Seal	SP2700-51
SP2701-18	Lip Seal	SP2701-54
SP2701-48	Lip Seal	SP2700-48
SP2701-49	Lip Seal	SP2700-49
SP2702-80	Lip Seal	SP2701-52
SP2703-02	Lip Seal	SP2701-21
SP2703-07	Lip Seal	SP2700-49
SP2705-05	Lip Seal	SP2700-05
SP2901-18	Lip Seal	SP2701-54
SP6080-0070	Seal Assembly	22617-0010
SP6080-03	Seal Assembly	SP6080-10
SP6080-0372	Seal Assembly	21849
SP6080-0373	Seal Assembly	22626-0000
SP6080-07	Seal Assembly	22617-0010
SP6080-07B	Seal Assembly	22617-0010
SP6080-11	Seal Assembly	22642-0000
SP6080-24	Seal Assembly	22643-0000
SP8022-0070	Seal Assembly	22617-0010
SP8022-07	Seal Assembly	22617-0010
SP8033-0161	Seal Assembly	22644-6000

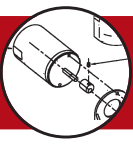




## USA to UK Jabsco Parts Table

Jabsco USA Part No.	Description	Jabsco UK Part No.
490-0000	Cam	490
490-0001	Cam	490
816-0000	Gasket	816
817-0000	Lip Seal	SP2700-50
817-6000	Lip Seal	SP2700-50
818-0000	Lip Seal	SP2700-49
824-0000	Shaft	9527
834-0000	Cam	834
834-0001	Cam	834
836-0001	Impeller	836-0001B
836-0008	Impeller	836-0008B
890-0000	Gasket	890
913-0000	Seal	SP2700-47
914-0000	Seal	SP2700-48
915-0000	Seal	SP2700-07
920-0001	Impeller	920-0001B OR
920-0001	Impeller	17937-0001B
920-0008	Impeller	920-0008B
934-0000	Cam	934
934-0010	Cam	934
1040-0000	Lip Seal	SP2701-52
1126-0000	Gasket	1126
1189-0000	Gasket	1189
1210-3001	Impeller	1210-0001B
2431-0000	Cam	2431
2551-0000	Cam	2551
2566-0020	Adaptor	2566
2567-0000	Shaft	21238
2574-0000	Wearplate	2574
2577-0000	Seal Assembly	21849
2765-0000	Wearplate	2765
2995-0030	Gasket	2995-0000
3101-0000	Gasket	3101
3166-0000	Spacer	3166
3180-0000	Slinger	3180
3181-0000	Slinger	3181
3222-0000	Seal	3222
3255-0000	Cam	3255
3298-0000	Gasket	3298
3791-0000	Packing Ring	3791
4156-0000	Wearplate	4156
4156-3000	Wearplate	4156
4271-0000	Cam/Wearplate	4271
4346-0000	Spline Seal	4346
5211-0000	Cam/Wearplate	5211
6408-0000	Seal Assembly	21849
6718-0000	Shaft	6718-21
6760-3008	Impeller	6760-0008B
6987-0000	Shaft	21239
6988-0000	Cam	6988
6988-3000	Cam	6988
7876-0000	Cam	7876
7883-0000	Wearplate	7883
7884-0000	Cam/Wearplate	7884

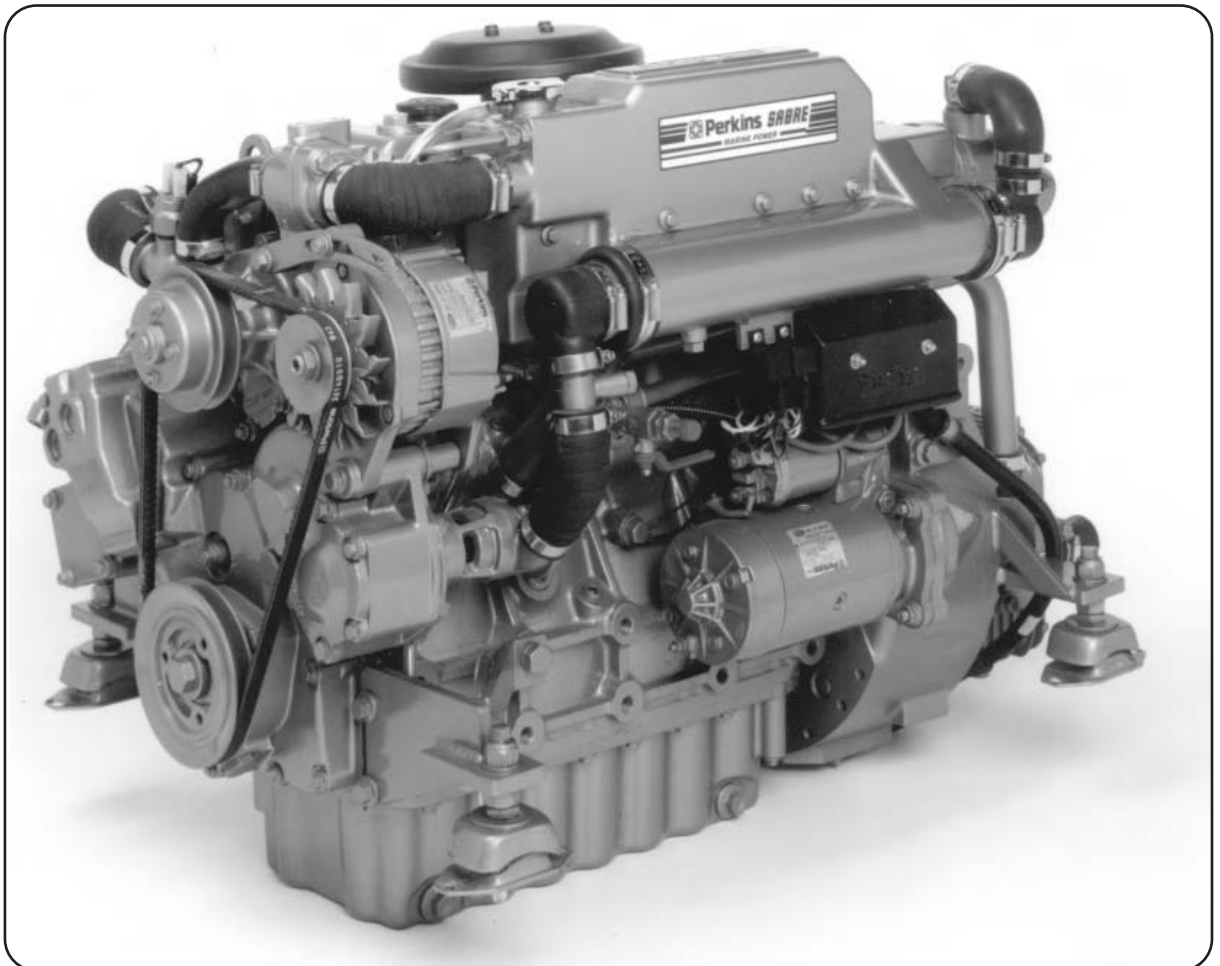
Jabsco USA Part No.	Description	Jabsco UK Part No.
10818-0000	Cam	10818
11816-0000	Gasket	3298
11830-0000	End Cover	3992
11831-0000	End Cover	3993
11835-0000	End Cover	AL6-200
12062-0000	End Cover	9336
12066-0000	End Cover	9566
17361-6000		17361-1000
17365-0000	Gasket	17365-1000
17370-0211	Impeller	17370-0001B
17370-3001	Impeller	17370-0001B
17372-3000	Wearplate	17372-1000
17372-6000	Wearplate	17372-1000
17374-3000	Cam Liner	17374-1000
17374-6001	Cam Liner	17374-1000
17378-3000	End Cover	17378-1000
17935-3001	Impeller	17935-0001B
17936-3001	Impeller	17936-0001B
18706-0000	Retaining Ring	SP1700-1180
18711-0000	Retaining Ring	SP1700-245
18712-0000	Retaining Ring	SP1700-246
18713-0000	Retaining Ring	SP1700-247
18724-0000	Retaining Ring	SP1701-185
18752-0000	Bearing	92600-0480
18753-0049	Seal	22617-0010
18753-0090	Cam	22318
18753-0139	Seal	SP6080-0371
18753-0325	Shaft Assembly	23807-0000
18784-3000	End Cover	18784-0000
18785-3000	Cam Liner Kit	18785-0000
18786-3001	Impeller	18786-0001
18787-3000	Wear Plate	18787-0000
19769-6000	Spline Seal	17969-0000
22308-0000	Cam	22308
22318-0000	Cam	22318
90065-0001	Service Kit	SK65-0001
90118-3001	Service Kit	SK118
90193-3000	Service Kit	SK193
91002-0010	Screw	SP1002-01
91002-0010	Screw	SP1002-01
91002-0020	Screw	SP1002-02
91002-0030	Screw	SP1002-03
91002-0090	Screw	SP1002-09
91003-0010	Screw	SP1003-01
91003-0010	Screw	SP1003-01
91003-0020	Screw	SP1003-02
91003-0070	Screw	SP1003-07
91003-0070	Screw	SP1003-07
91003-0090	Screw	SP1003-09
91003-0110	Screw	SP1003-11
91004-0010	Screw	SP1004-01
91004-0090	Screw	SP1004-09
91004-3090	Screw	SP1004-09
91005-0040	Screw	SP1005-04

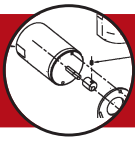


## USA to UK Jabsco Parts Table

Jabsco USA Part No.	Description	Jabsco UK Part No.
91005-0050	Screw	SP1005-05
91005-6040	Screw	SP1005-04
91006-0050	Screw	SP1006-05
91085-0100	Nut	SP1085-10
91106-0040	Screw	SP1106-04
91402-0050	Woodruff Key	SP1402-05
91402-0220	Woodruff Key	SP1402-22
91602-0090	Washer	SP1602-09
91608-0010	Washer	SP1608-01
91700-2460	Retaining Ring	SP1700-246
91700-2830	Retaining Ring	SP1700-283
92000-0120	O-Ring	SP2000-12
92000-3210	O-Ring	SP2000-21
92600-0040	Bearing	SP2600-04
92600-0060	Bearing	SP2600-06
92600-0070	Bearing	SP2600-07
92600-0080	Bearing	SP2600-08
92600-0120	Bearing	SP2600-12
92600-0130	Bearing	SP2600-13
92600-0150	Bearing	SP2600-15
92600-0160	Bearing	SP2600-16

Jabsco USA Part No.	Description	Jabsco UK Part No.
92600-0260	Bearing	SP2600-26
92600-0530	Bearing	SP2601-0468
92600-3060	Bearing	SP2600-06
92600-6320	Bearing	SP2600-32
92700-0042	Lip Seal	SP2700-42
92700-0050	Lip Seal	SP2700-05
92700-0060	Lip Seal	SP2700-06
92700-0080	Lip Seal	SP2700-08
92700-0110	Lip Seal	SP2700-11
92700-0150	Lip Seal	SP2700-15
92700-0180	Lip Seal	SP2701-21
92700-6060	Lip Seal	SP2700-06
92700-6070	Lip Seal	SP2700-07
92701-0040	Lip Seal	SP2701-04
92701-0180	Lip Seal	SP2701-54
93000-0100	Seal	SP3000-10
96080-0080	Seal Assembly	SP6080-08B
96080-0371	Seal Assembly	SP6080-0371
96080-6371	Seal Assembly	SP6080-0371
99019-0001	Service Kit	MSK19-0001
99065-0001	Service Kit	MSK65-00001



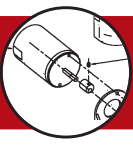


## Johnson to Jabsco Parts Table

Johnson Part No.	Description	Jabsco Part No.
01-11206	Body	10634
01-31902	Body	9904
01-31927-2	Body	10554-200
01-42388	End Cover	9905
01-42389	Cam	10818
01-42390	Shaft	9907
01-42391	Gasket	10817
01-42397	Cam	490
01-42398	End Cover	3992
01-42399	Wearplate	7883
01-42399	Wearplate	7883
01-42401	Gasket	3298
01-42402	Retaining Ring	SP1700-62
01-42412	Gasket	1126
01-42414	End Cover	AL6-200
01-42415	Cam	29303-0000
01-42415	Cam	AL8-01
01-42422	End Cover	9336
01-42422-1	End Cover	9336
01-42423	Wearplate	2574
01-42424	Gasket	816
01-42425	Cam	2551
01-42427-15	Slinger	3181
01-42441	End Cover	3993
01-42442	Cam	3255
01-42443	Wearplate	4156
01-42445	Gasket	890
01-42584	Cam	2431
01-42679	Cam	934
01-42679	Wearplate	4156
01-42680	Cam	834
01-42755	Cam	2551
01-42910	Cam	29303-0000
01-42910	Cam	AL8
01-42926	End Cover	3992
01-43135	Cam	22039
01-43136	End Cover	9336
01-43137	Cam	6988
01-43138	Cam	22268
01-43239	End Cover	29305-0000
01-45014	Cam	10538
01-45014	Cam	10336
01-45025	Shaft	3277
01-45084	Cam	2441
01-45087	Wearplate	29306-0000
01-45282	End Cover	29475-0000
01-45288	Cam	2907-0001
09-43112	Port Kit	K1-200
09-45033	Vacuum Switch	4732-0000
10-13021-1	Pump	52200-2011
10-24074-1	Pump	52020-2001
10-24076-1	Pump	22740-0151
10-24090-1	Pump	11100-01-01
10-24091-1	Pump	10880-0101

Johnson Part No.	Description	Jabsco Part No.
10-24096-1	Pump	11100-01-01
10-24096-2	Pump	11100-0141
10-24096-3	Pump	11100-0151
10-24116-1	Pump	50080-2001
10-24116-2	Pump	50080-2101
10-24116-3	Pump	50080-2201
10-24116-4	Pump	50080-2301
10-24119	Pump	3270-1951
10-24119	Pump	3270-271
10-24119-2	Pump	3270-200
10-24119-3	Pump	3270-200
10-24119-4	Pump	3270-261
10-24119-6	Pump	3270-241
10-24119-7	Pump	3270-2401
10-24119-8	Pump	3270-2101
10-24126-1	Pump	23430-1051
10-24127	Pump	23460-1601
10-24127-1	Pump	23430-1001
10-24127-2	Pump	23430-1051
10-24127-3	Pump	23430-1051
10-24131-2	Pump	29300-2101C
10-24139	Pump	21140-2401
10-24139	Pump	21140-2601
10-24139-1	Pump	21140-2401
10-24139-2	Pump	21140-2441
10-24139-3	Pump	21140-2601
10-24139-4	Pump	21140-2641
10-24140	Pump	10950-2401
10-24140-1	Pump	10950-2401
10-24140-2	Pump	10950-2451
10-24140-3	Pump	10950-2601
10-24214-4	Pump	29440-1001
10-24215-1	Pump	10970
10-24218-1	Pump	23430-1441
10-24239-1	Pump	22040-0501
10-24244-1	Pump	23430-1201
10-24244-2	Pump	23430-1201
10-24290-1	Pump	29440-1101
10-31197-1	Pump	29470-2231C
10-32280-1	Pump	11260-1101
10-32412-1	Pump	29300-2101C
10-32588-1	Pump	NONE
10-35038-1	Pump	52010-2001
10-35058-1	Pump	11000-01
10-35064-1	Pump	29300-2101C
10-35088-1	Pump	29300-2201C
10-13022-1	Pump	50200-2011
10-13022-2	Pump	50200-2111
10-13022-3	Pump	50200-2201
10-13022-33	Pump	50200-2011
10-13022-34	Pump	50200-2111
10-13022-35	Pump	50200-2201
10-13022-36	Pump	50200-2301
10-13022-4	Pump	50200-2301





## Johnson to Jabsco Parts Table

Johnson Part No.	Description	Jabsco Part No.
10-13024-1	Pump	52220-0011
10-13025-1	Pump	50220-0011
10-13025-2	Pump	50220-0111
10-13025-3	Pump	50220-0211
10-13025-4	Pump	50220-0311
10-13026-1	Pump	52270-2011
10-13026-5	Pump	52270-2011
10-13027-13	Pump	50270-2011
10-13027-14	Pump	50270-2111
10-13027-15	Pump	50270-2211
10-13027-16	Pump	50270-2311
10-13064-1	Pump	23010-0501
10-13143-01	Pump	29870-2001
10-13143-02	Pump	29870-2101
10-13143-03	Pump	29870-2001
10-13143-04	Pump	29870-2101
10-22140-1	Pump	10950-2401
10-22354-1	Pump	21140-201
10-22354-2	Pump	21140-204
10-22355-1	Pump	21690
10-22355-1	Pump	21140-2401
10-22355-2	Pump	21690-05
10-22413	Pump	10950-201
10-22413-1	Pump	10950-201
10-22413-2	Pump	10950-205
10-24014	Pump	9700-151
10-24014-1	Pump	9700-21
10-24017-17	Pump	50080-2001
10-24017-18	Pump	50080-2101
10-24017-19	Pump	50080-2201
10-24017-20	Pump	50080-2301
10-24035-2	Pump	3270-200
10-24070-1	Pump	52080-2001
10-24070-1	Pump	52080-2001
10-24070-3	Pump	52080-2001
10-24071-1	Pump	50080-2001
10-24071-2	Pump	50080-2101
10-24071-3	Pump	50080-2201

Johnson Part No.	Description	Jabsco Part No.
10-24071-4	Pump	50080-2301
10-24073-1	Pump	52040-2001
10-24073-1	Pump	52040-2001
10-24073-2	Pump	21820-2051
10-35088-3	Pump	29300-2201C
10-35098-1	Pump	29470-2231C
10-35100-1	Pump	3270-2301
10-35118-1	Pump	29300-2101C
10-35122-1	Pump	29300-2001C
10-35127	Pump	29470-2031C
10-35127-1	Pump	29470-2031C
10-35157-3	Pump	29300-2101C
10-35161-1	Pump	29470-2131C
10-35167-2	Pump	29470-2351C
10-35167-3	Pump	29470-2301C
10-35187-1	Pump	29300-2401C
10-35240-1	Pump	29480-2031C
10-42864-1	Pump	21770
F35B-8	Pump	52010-2001
F4B-8	Pump	52020-2001
F5B-3000	Pump	10550-200
F5B-8	Pump	52040-2001
F5B-8	Pump	52040-2001
F7B-3000	Pump	9710-200
F7B-5000	Pump	50080 Srs
F7B-5001	Pump	50080 Srs
F7B-50017	Pump	50080 Srs
F7B-8	Pump	52080-2001
F8B-3000	Pump	52200-2011
F8B-5000	Pump	50220 Srs
F8B-5001	Pump	50220 Srs
F8B-50017	Pump	50200 Srs
F8B-8	Pump	52200-2011
F95B-3000	Pump	29860 Srs
F95B-5000	Pump	29870 Srs
F9B-3000	Pump	52270-2001
F9B-5600	Pump	50270 Srs

